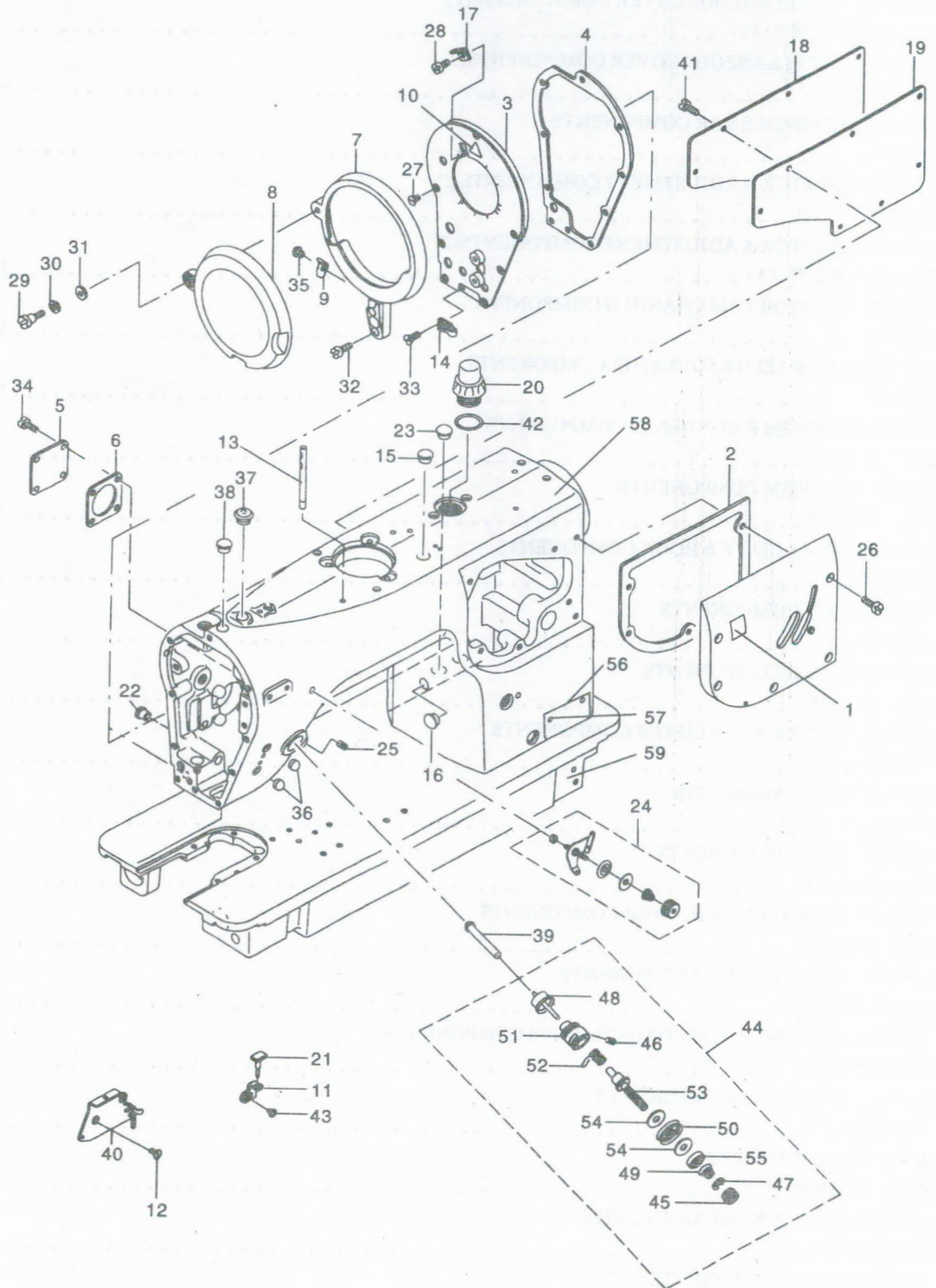


1. 机头、外露部件 (1)

www.knitism.ru

FRAME & MISCELLANEOUS COVER COMPONENTS (1)



1、FRAME & MISCELLANEOUS COVER COMPONENTS (1)

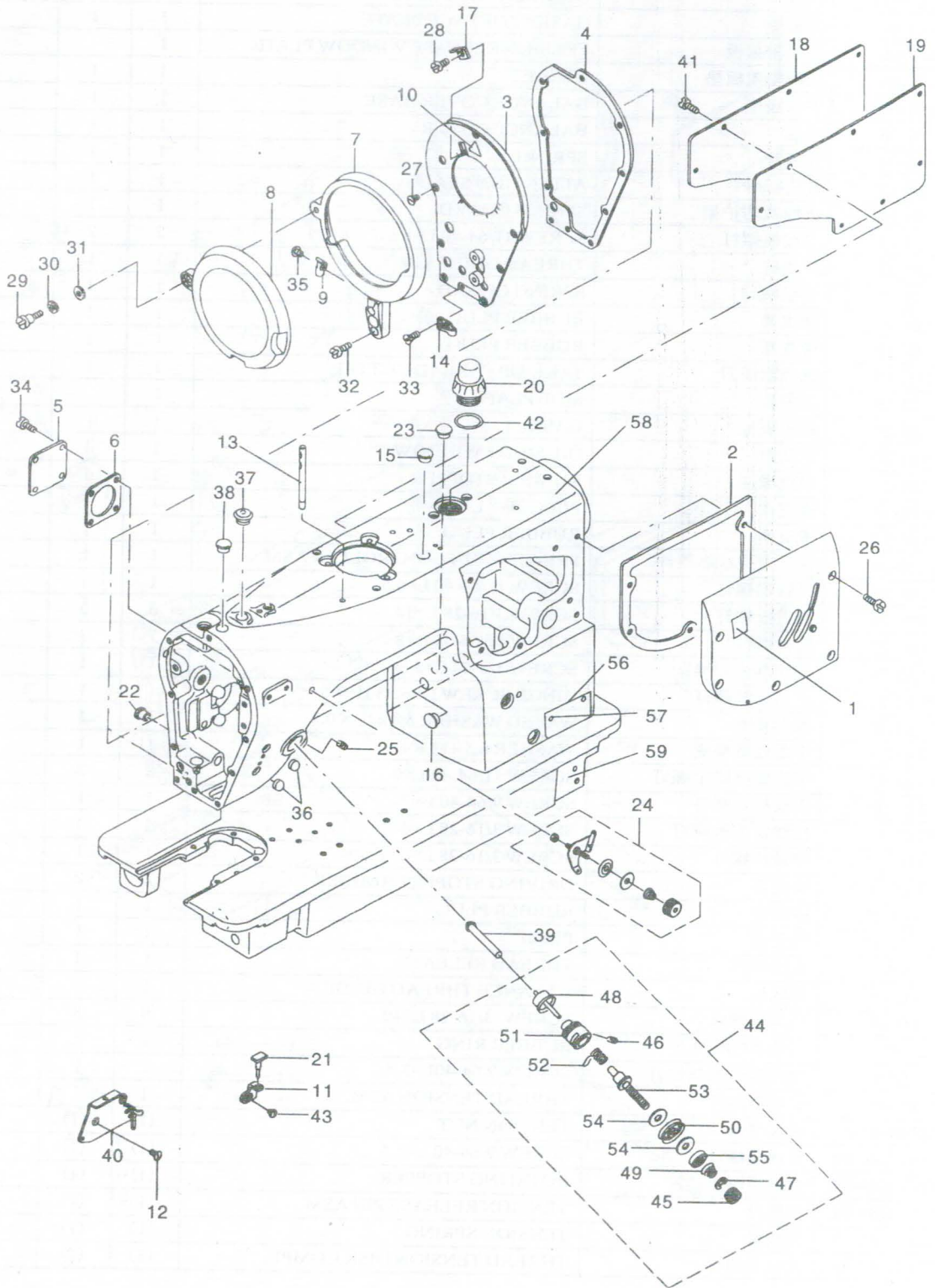
1、机头、外露部件(1)

序号	图号	名称	DESCRIPTION	2284	2284-7	备注
1	423.01-01	操作图章	OPERATION SEAL	1	1	
2	423.01-02	机壳前盖板垫	GASKET	1	1	
3	423.01-03	面板	FACE PLATE COMPL.	1	1	
4	423.01-04	面板垫	GASKET OF FACE PLATE	1	1	
5	423.01-05	松线窗盖板	TENSION RELEASE WINDOW PLATE	1		
6	423.01-06	松线窗盖板垫	GASKET	1	1	
7	423.01-07	平盖底座	BALANCE COVER BASE	1	1	
8	423.01-08	平盖	BALANCE COVER	1	1	
9	423.01-09	弹簧片	SPRING	1	1	
10	423.01-10	警告标牌	ATTENTION SEAL	1	1	
11	423.01-11	挑线簧防护架	SPRING GUARD	1	1	
12	423.01-12	导线板螺钉	SCREW 11/64-40 L=8	2	2	
13	423.01-13	导线柱	THREAD GUIDE PIN	1	1	
14	423.01-14	面板线勾	SPRING GUARD	1	1	
15	423.01-15	橡皮塞	RUBBER PLUG	1	1	
16	423.01-16	橡皮塞	RUBBER PLUG	1	1	
17	423.01-17	挑线割线刀	TAKE-UP THREAD CUTTER	1	1	
18	423.01-18	后盖板	SIDE PLATE	1		
19	423.01-19	后盖板垫	GASKET	1		
20	423.01-20	示油窗	OIL SIGHT WINDOW	1	1	
21	423.01-21	限位橡皮	RUBBER STOPPER	1	1	
22	423.01-22	橡皮塞	PLUG D=8 L=4.5	1	1	
23	423.01-23	橡皮塞	RUBBER PLUG	1	1	
24	423.01-24	预张力夹线器组件	PRE-TENSION CONTROLLER ASM.	1	1	
25	423.01-25	夹线器螺钉	SCREW 11/64-40 L=6.5	1	1	
26	423.01-26	前盖板螺钉	SCREW 3/16-28 L=14	5	5	
27	423.01-27	面板螺钉	SCREW 11/64-40 L=8	7	7	
28	423.01-28	挑线割线刀螺钉	SCREW 1/8-44 L=3.8	1	1	
29	423.01-29	平盖铰链螺钉	HINGE SCREW D=6.35 H=7.5	1	1	
30	423.01-30	波形垫圈	WAVED WASHER 6.4×11×0.3	1	1	
31	423.01-31	平盖铰链垫圈	WASHER 6.5×11×1	1	1	
32	423.01-32	平盖底座固定螺钉	SCREW 11/64-40 L=9	2	2	
33	423.01-33	面板线勾螺钉	SCREW 9/64-40 L=7	1	1	
34	423.01-34	松线窗盖板螺钉	SCREW 3/16-28 L=6	4	4	
35	423.01-35	弹簧片螺钉	SCREW 3/16-28 L=6	1	1	
36	423.01-36	橡皮塞	DRIVING STOPPER RUBBER	2	2	
37	423.01-37	橡皮塞	RUBBER PLUG	1	1	
38	423.01-38	橡皮塞	PLUG	1	1	
39	423.01-39	松线顶杆	THREAD RELEASE	1	1	
40	423.01-40	导线板	BALANCE THREAD GUIDE	1		
41	423.01-41	后盖板螺钉	SCREW 3/16-28 L=10	8	8	
42	423.01-42	示油窗O形圈	RUBBER RING	1	1	
43	423.01-43	挑线簧防护架螺钉	SCREW 9/64-40L=3.5	1	2	
44	423.01-44	夹线器组件	THREAD TENSION ASM.	1	1	
45	423.01-44-01	夹线螺母	TENSION NUT	(1)	(1)	
46	423.01-44-02	夹线座螺钉	SCREW 9/64-40 L=5.5	(1)	(1)	
47	423.01-44-03	夹线螺母止动片	ROTATING STOPPER	(1)	(1)	
48	423.01-44-04	松线钉	TENSION RELEASE PIN ASM.	(1)	(1)	
49	423.01-44-05	夹线簧	TENSION SPRING	(1)	(1)	
50	423.01-44-06	夹线盘组件	THREAD TENSION DISK COMPL.	(1)	(1)	

1. 机头、外露部件 (1)

www.knitism.ru

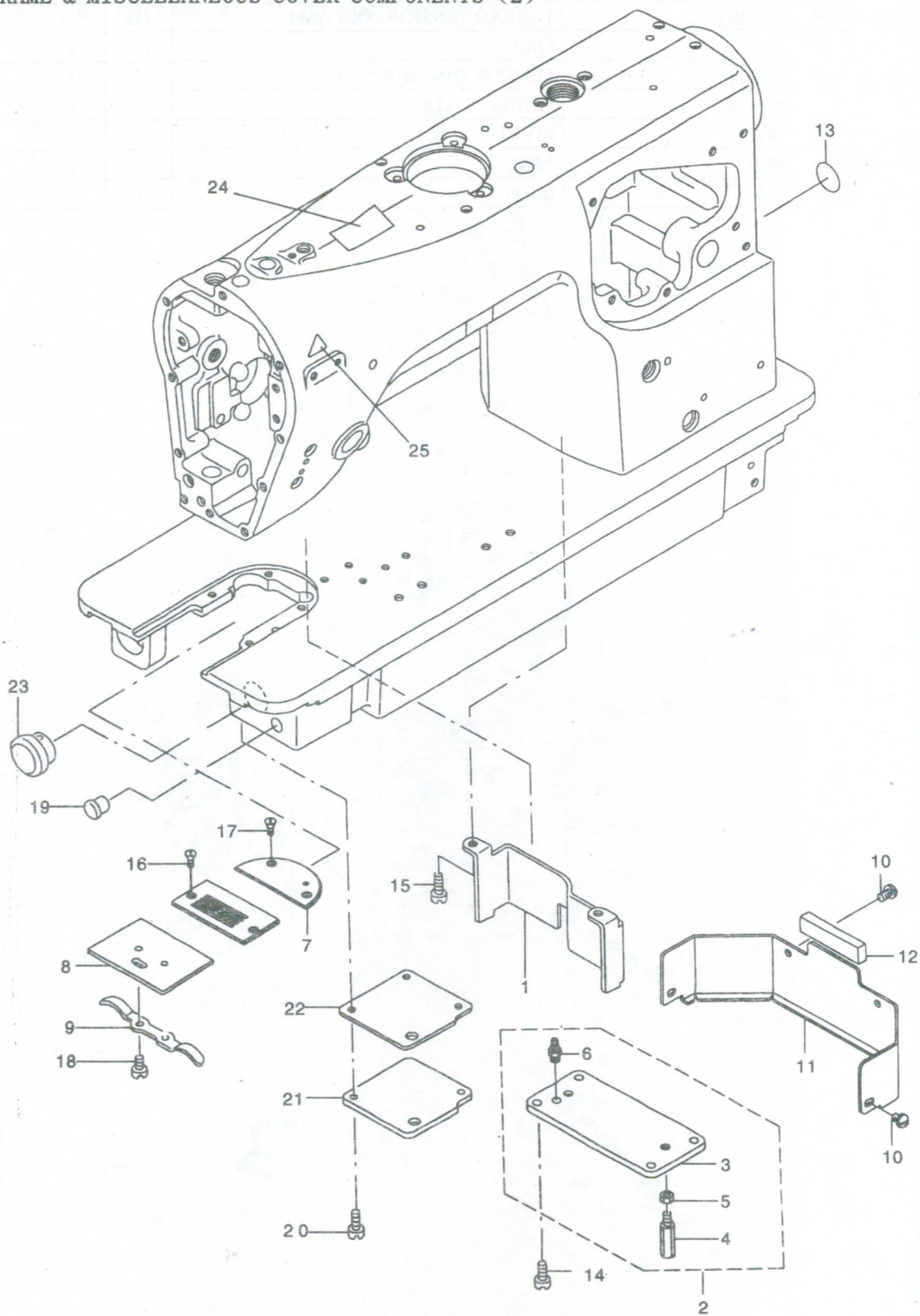
FRAME & MISCELLANEOUS COVER COMPONENTS (1)



51	423.01-44-07	夹线座	THREAD TENSION ROD ASM.	(1)	(1)	备注
52	423.01-44-08	挑线簧	TAKE-UP SPRING	(1)	(1)	
53	423.01-44-09	夹线螺钉	THREAD TENSION POST ASM.	(1)	(1)	
54	423.01-44-10	毛毡	FELT	(2)	(2)	
55	423.01-44-11	夹线板	TENSION DISC HOLDER	(1)	(1)	
56	423.01-45	型号牌	MODEL PLATE	1	1	
57	423.01-46	铆钉	RIVET	2	2	
58	423.01-47	机壳	ARM	1	1	
59	423.01-48	底板	BED	1	1	

2、机座、外露盖板部件 (2) www.knitism.ru

FRAME & MISCELLANEOUS COVER COMPONENTS (2)



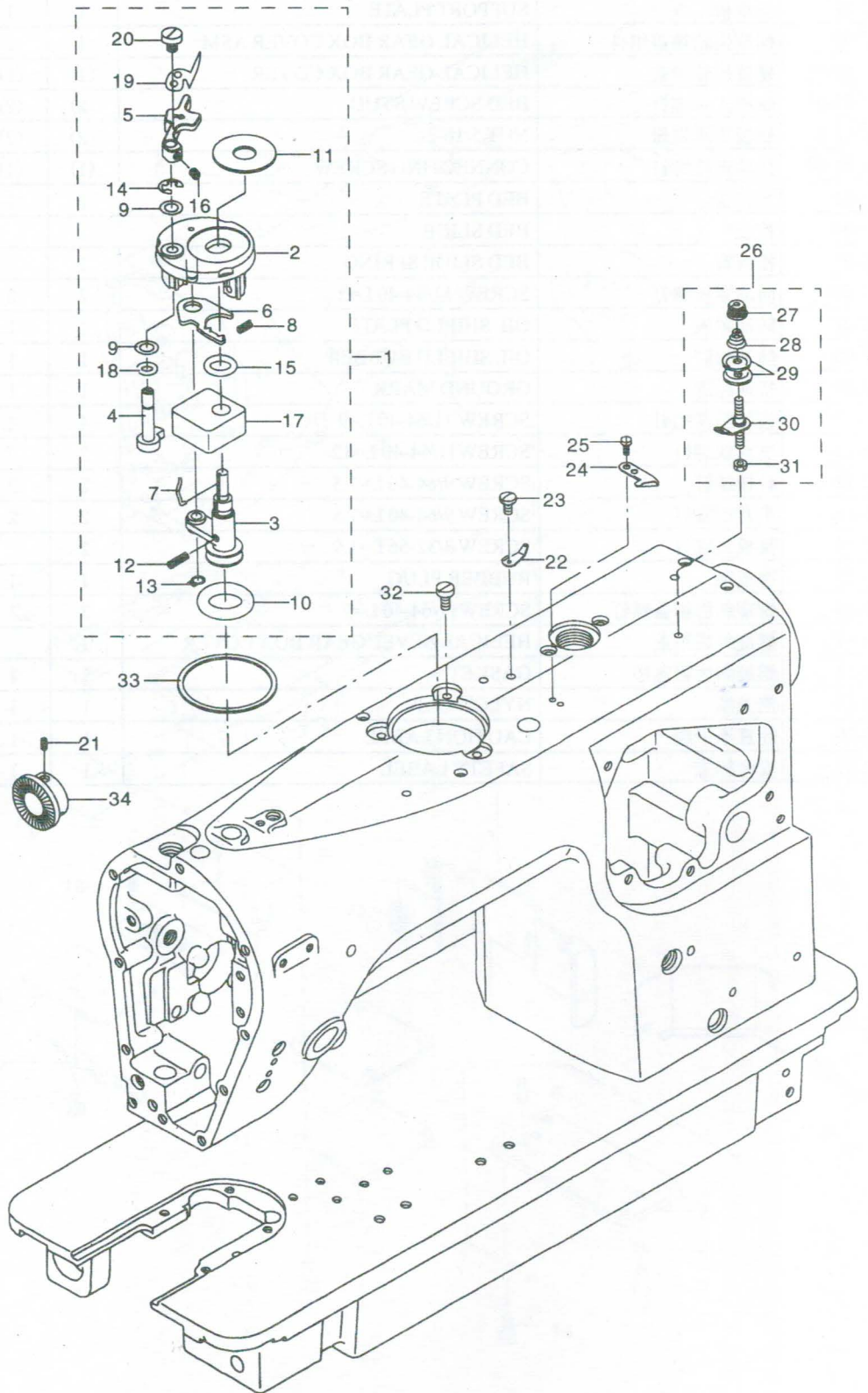
2、FRAME & MISCELLANEOUS COVER COMPONENTS (2)

2、机座、外露盖板部件 (2)

序号	图号	名称	DESCRIPTION	2284	2284-7	备注
1	423.02-01	支承板	SUPPORT PLATE	1	1	
2	423.02-02	螺旋齿轮箱盖组件	HELICAL GEAR BOX COVER ASM.	1	1	
3	423.02-02-01	螺旋齿轮箱盖	HELICAL GEAR BOX COVER	(1)	(1)	
4	423.02-02-02	底板支承螺钉	BED SCREW STUD	(2)	(2)	
5	423.02-02-03	底板支承螺母	NUT 5/16-24	(2)	(2)	
6	423.02-02-04	排油连接螺钉	CONNECTING SCREW	(1)	(1)	
7	423.02-03	半月板	BED PLATE	1	1	
8	423.02-04	推板	BED SLIDE	1		
9	423.02-05	推板簧	BED SLIDE SPRING	1		
10	423.02-06	防油罩板螺钉	SCREW 11/64-40 L=5	2	2	
11	423.02-07	防油罩板	OIL SHIELD PLATE	1	1	
12	423.02-08	防油橡胶	OIL SHIELD RUBBER	1	1	
13	423.02-09	接地标志	GROUND MARK	1	1	
14	423.02-10	齿轮箱盖螺钉	SCREW 11/64-40 L=9	4	4	
15	423.02-11	支承板螺钉	SCREW 11/64-40 L=12	2	2	
16	423.02-12	针板螺钉	SCREW 9/64-40 L=7.5	2	2	
17	423.02-13	半月板螺钉	SCREW 9/64-40 L=7.5	2	2	
18	423.02-14	推板簧螺钉	SCREW 3/32-56 L=1.9	2		
19	423.02-15	橡皮塞	RUBBER PLUG	1	1	
20	423.02-16	螺旋斜齿箱盖螺钉	SCREW 11/64-40 L=9	3	3	
21	423.02-17	螺旋斜齿箱盖	HELICAL BEVEL GEAR BOX COVER	1		
22	423.02-18	螺旋斜齿箱盖垫	GASKET	1	1	
23	423.02-19	尼龙塞	NYLON CAP	1	1	
24	423.02-20	注意不干胶	CAUTION LABEL	1	1	
25	423.02-21	安全标志	SAFETY LABEL	1	1	

3、机头、外露夹线部件 (3)

FRAME & MISCELLANEOUS COVER COMPONENTS (3)



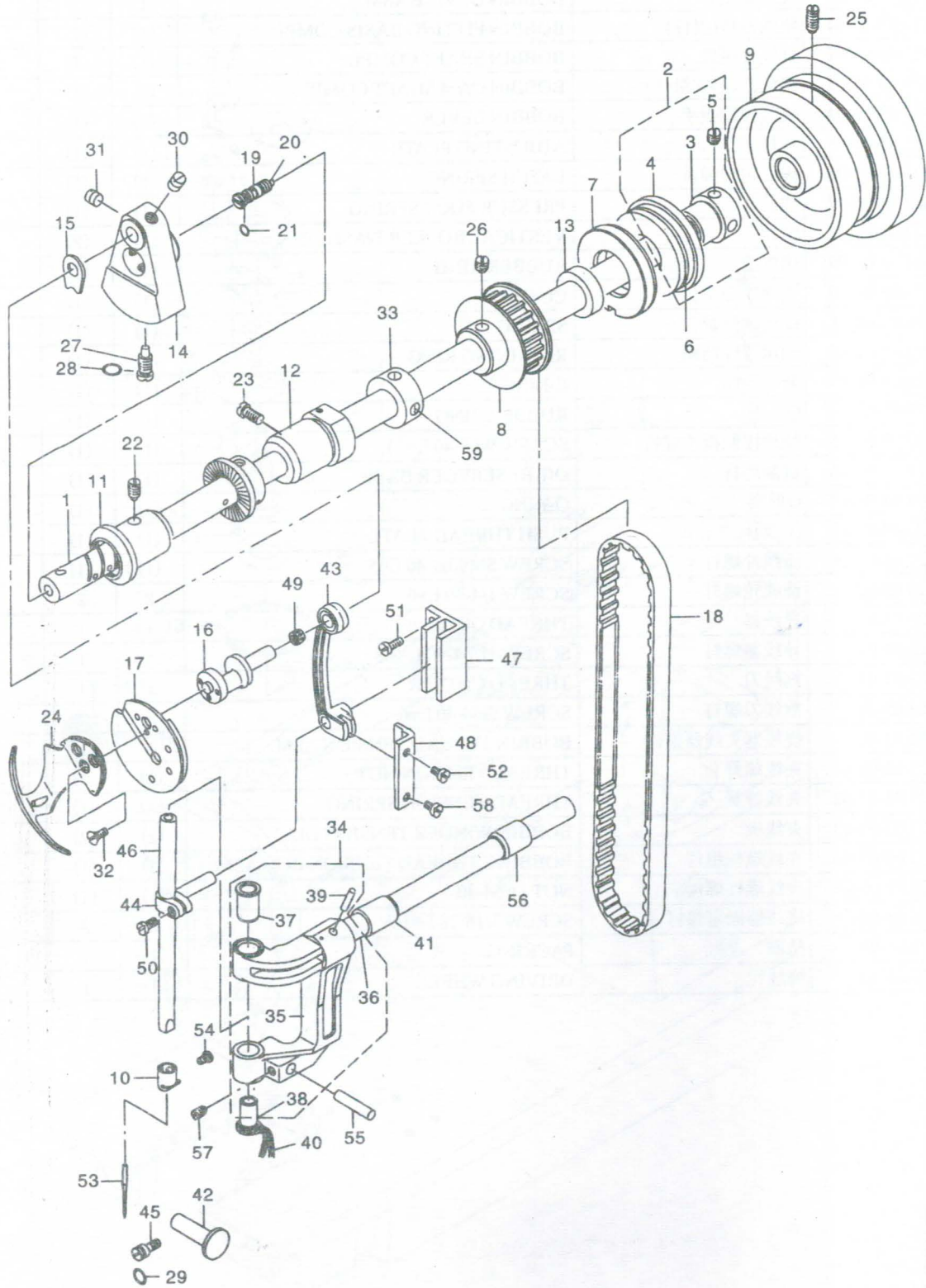
3、FRAME & MISCELLANEOUS COVER COMPONENTS (3)

3、机头、外露夹线部件(3)

序号	图号	名称	DESCRIPTION	2284	2284-7	备注
1	423.03-01	绕线器组件	BOBBIN DEVICE ASM.	1	1	
2	423.03-01-01	绕线器座(组件)	BOBBIN FITTING BASIS COMPL.	(1)	(1)	
3	423.03-01-02	绕线轴组件	BOBBIN SHAFT COMPL.	(1)	(1)	
4	423.03-01-03	绕线凸轮轴(组件)	BOBBIN CAM SHAFT COMPL.	(1)	(1)	
5	423.03-01-04	绕线控制扳手	BOBBIN LEVER	(1)	(1)	
6	423.03-01-05	杠杆	ADJUSTING PLATE	(1)	(1)	
7	423.03-01-06	梭心防转弹簧	LATCH SPRING	(1)	(1)	
8	423.03-01-07	弹簧	PRESSUR FOOT SPRING	(1)	(1)	
9	423.03-01-08	垫片	VERTICAL ROLLER WASHER	(2)	(2)	
10	423.03-01-09	橡皮圈	RUBBER RING	(1)	(1)	
11	423.03-01-10	缓冲梭心垫	CUSHION	(1)	(1)	
12	423.03-01-11	绕线轴弹簧	SPRING	(1)	(1)	
13	423.03-01-12	轴用弹性挡圈	RETAINING RING	(1)	(1)	
14	423.03-01-13	开口挡圈	E-RING	(1)	(1)	
15	423.03-01-14	O形圈	RUBBER RING	(1)	(1)	
16	423.03-01-15	绕线控制扳手螺钉	SCREW 9/64-40 L=13	(1)	(1)	
17	423.03-01-16	蓄油海绵	OIL RESERVOER BASE	(1)	(1)	
18	423.03-01-17	O形圈	O-RING	(1)	(1)	
19	423.03-01-18	压线片	PUSH THREAD PLATE	(1)	(1)	
20	423.03-01-19	压线片螺钉	SCREW SM9/64-40 L=5	(1)	(1)	
21	423.03-02	绕线轮螺钉	SCREW 1/4-40 L=6	2	2	
22	423.03-03	导线器	THREAD GUIDE	1	1	
23	423.03-04	导线器螺钉	SCREW 11/64-40 L=7.8	1	1	
24	423.03-05	割线刀	THREAD CUTTER	1	1	
25	423.03-06	割线刀螺钉	SCREW 9/64-40 L=6	2	2	
26	423.03-07	绕线器夹线器组件	BOBBIN THREAD TENSION ASM.	1	1	
27	423.03-07-01	夹线螺母	THREAD TENSION NUT	(1)	(1)	
28	423.03-07-02	夹线弹簧	THREAD TENSION SPRING	(1)	(1)	
29	423.03-07-03	夹线板	BOBBIN WINDER TENSION DISC	(2)	(2)	
30	423.03-07-04	夹线螺柱组件	BOBBING THREAD TENSION ROD ASM.	(1)	(1)	
31	423.03-07-05	夹线螺柱螺母	NUT 11/64-40	(1)	(1)	
32	423.03-08	绕线器固定螺钉	SCREW 3/16-28 L=10	3	3	
33	423.03-09	垫圈	PACKING	1	1	
34	423.03-10	绕线轮	DRIVING WHEEL	1	1	

4、上轴、针杆部件

4、MAIN SHAFT & NEEDLE BAR COMPONENTS



4、MAIN SHAFT & NEEDLE BAR COMPONENTS

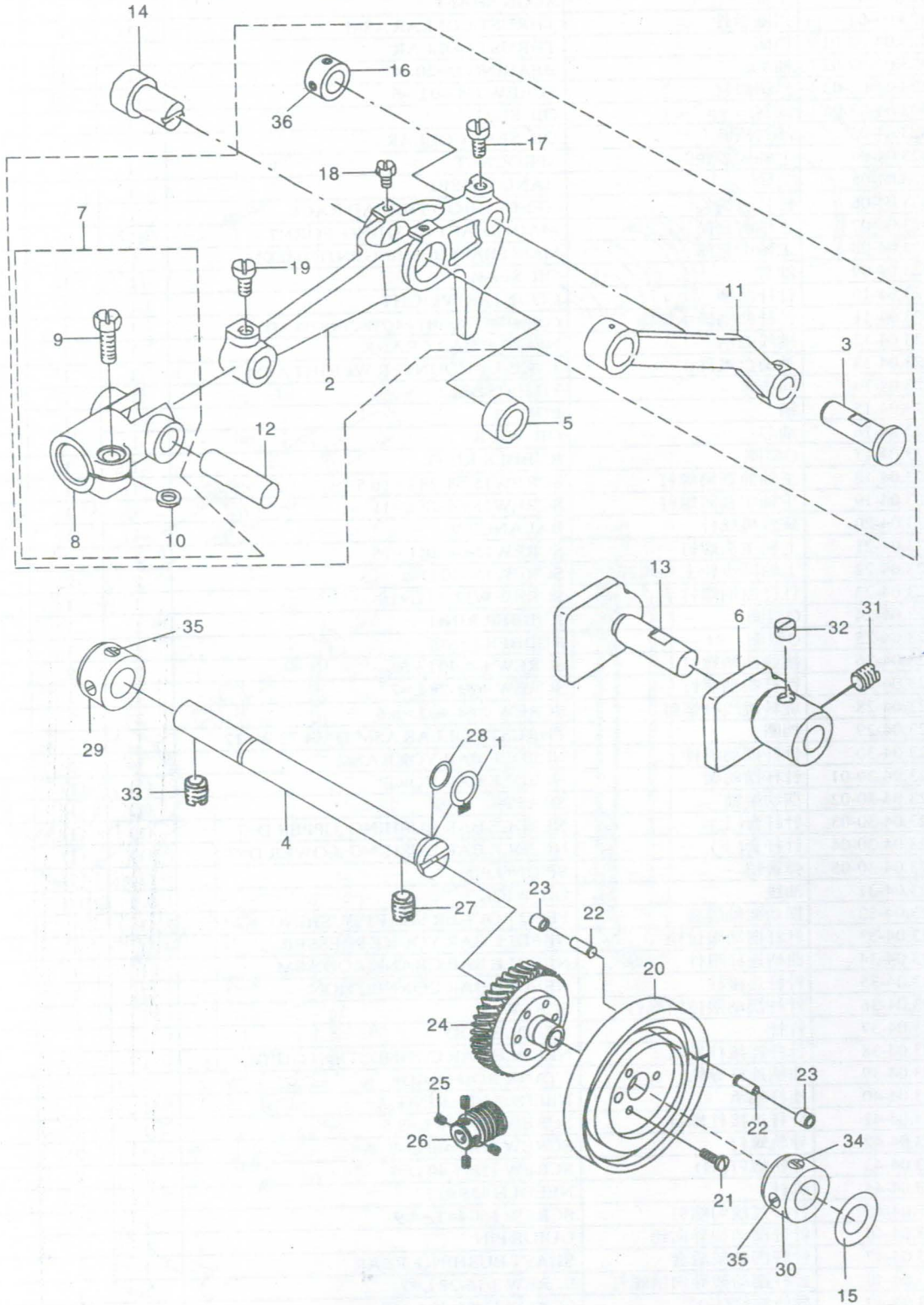
www.knitism.ru

4、上轴、针杆部件

序号	图号	名称	DESCRIPTION	2284	2284-7	备注
1	423.04-01	主轴	MAIN SHAFT	1	1	
2	423.04-02	挡圈组件	THRUST COLLAR ASM.	1	1	
3	423.04-02-01	挡圈	THRUST COLLAR	(1)	(1)	
4	423.04-02-02	轴承	BEARING D=20×47	(1)	(1)	
5	423.04-02-03	挡圈螺钉	SCREW 1/4-40 L=6	(2)	(2)	
6	423.04-02-05	油封	OIL SEAL	1	1	
7	423.04-03	油封挡圈	OIL SEAL COLLAR	1	1	
8	423.04-04	上轴同步轮	SPROCKET	1	1	
9	423.04-05	上轮	HAND WHEEL	1		
10	423.04-06	针杆过线勾	NEEDLE ROD THREAD RACK	1	1	
11	423.04-07	主轴前套筒	MAIN SHAFT BUSHING .FORNT	1	1	
12	423.04-08	主轴中套筒	MAIN SHAFT BUSHING .INTERMEDIA	1	1	
13	423.04-09	油封	OIL SEAL	1	1	
14	423.04-10	针杆曲柄	COUNTER WEIGHT	1	1	
15	423.04-11	针杆曲柄轴承垫圈	COUNTER WEIGHT PROTECTING PLATE	1	1	
16	423.04-12	挑线曲柄	NEEDLE BAR CRANK	1	1	
17	423.04-13	平衡盘组件	TAKE-UP COUNTER WEIGHT ASM.	1	1	
18	423.04-14	同步带	TIMING BELT	1	1	
19	423.04-15	销	PIN	1	1	
20	423.04-16	油芯	OIL WICK	1	1	
21	423.04-17	O型圈	RUBBER RING	1	1	
22	423.04-18	主轴前套筒螺钉	SCREW 15/64-28 L=10.5	1	1	
23	423.04-19	主轴中套筒螺钉	SCREW 15/64-28 L=11	1	1	
24	423.04-20	旋转挑线杆	BALANCE V	1	1	
25	423.04-21	上轮主头螺钉	SCREW 15/64-28 L=15	2	2	
26	423.04-22	上轴同步轮主头螺钉	SCREW 1/4-40 L=6	2	2	
27	423.04-23	针杆曲柄螺钉	SCREW 9/32-28 L=16	1	1	
28	423.04-24	O型圈	RUBBER RING	1	1	
29	423.04-25	O型圈	RUBBER RING	1	1	
30	423.04-26	挑线曲柄螺钉	SCREW 1/4-40 L=6	2	2	
31	423.04-27	针杆曲柄螺钉	SCREW 9/32-28 L=7	1	1	
32	423.04-28	旋转挑线杆螺钉	SCREW 9/64-40 L=8.6	3	3	
33	423.04-29	挡圈	THRUST COLLAR ASM.D=14.72 W=12	1	1	
34	423.04-30	针杆摆动组件	NEEDLE BAR YOKE ASM.	1	1	
35	423.04-30-01	针杆摆动架	NEEDLE BAR YOKE	(1)	(1)	
36	423.04-30-02	摆动架轴	SHAFT	(1)	(1)	
37	423.04-30-03	针杆套(上)	NEEDLE BAR BUSHING ,UPPER D=7	(1)	(1)	
38	423.04-30-04	针杆套(下)	NEEDLE BAR BUSHING ,LOWER D=7	(1)	(1)	
39	423.04-30-05	弹簧销	SPRING PIN	(1)	(1)	
40	423.04-31	油线	OIL WICK	0.1	0.1	
41	423.04-32	摆动架轴前套	FEED ROCKER SHAFT BUSHING	1	1	
42	423.04-33	针杆摆动限位销	NEEDLE BAR YOUKE PRESSER	1	1	
43	423.04-34	曲柄连杆组件	NEEDLE BAR CRANK ROD ASM.	1	1	
44	423.04-35	针杆连接柱	NEEDLE BAR CONNECTION	1	1	
45	423.04-36	针杆摆动限位销螺钉	SCREW	1	1	
46	423.04-37	针杆	NEEDLE ROD	1	1	
47	423.04-38	针杆连接柱导轨	NEEDLE BAR CONNECTION GUIDE	1	1	
48	423.04-39	曲柄连杆导轨	CTANK ROD GUIDE	1	1	
49	423.04-40	连杆轴承	NEEDLE BEARING ,A	1	1	
50	423.04-41	针杆连接柱螺钉	SCREW 9/64-40 L=8.5	1	1	
51	423.04-42	导轨螺钉	SCREW 11/64-40 L=9	2	2	
52	423.04-43	导轨螺钉(短)	SCREW 11/64-40 L=7	1	1	
53	423.04-44	机针	NEEDLE 438 #75	1	1	
54	423.04-45	针杆过线勾螺钉	SCREW 1/8-44 L=4.9	1	1	
55	423.04-46	针杆摆动架导向销	GUIDE PIN	1	1	
56	423.04-47	针杆摆动架后套	SHAFT BUSHING ,REAR	1	1	
57	423.04-48	针杆摆动架导向销螺钉	SCREW 3/16-28 L=7	1	1	
58	423.04-49	导轨螺钉(长)	SCREW 11/64-40 L=10	1	1	
59	423.04-50	挡圈螺钉	SCREW	2	2	

5. 摆针部件(1)

NEEDLE VIBRATOR & ADJUSTMENT COMPONENTS (1)



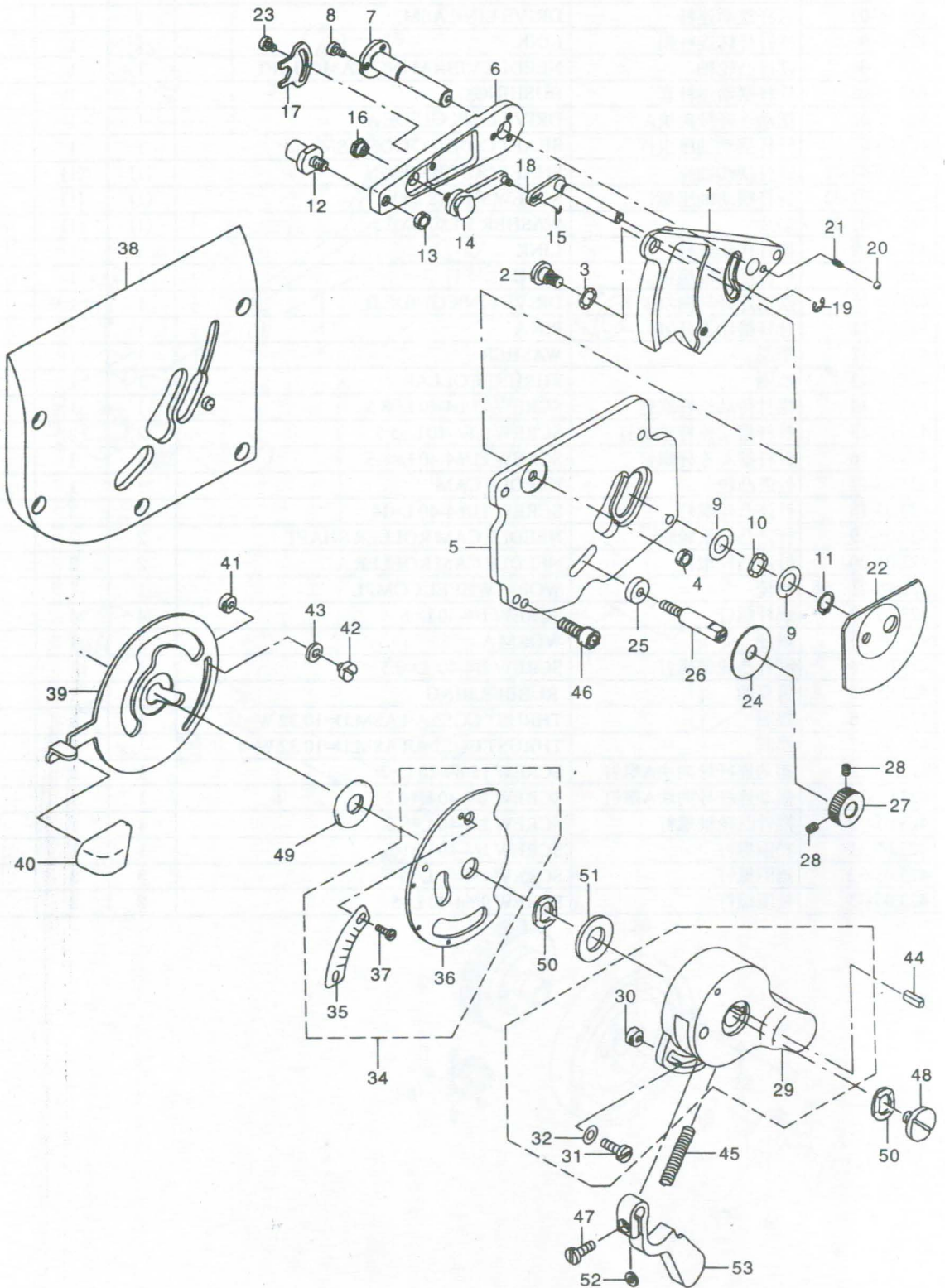
5.摆针部件(1)

5.NEEDLE VIBRATOR & ADJUSTMENT COMPONENTS(1)

序号	图号	名称	DESCRIPTION	2284	2284-7	备注
1	423.05-01	开口环	SNAP RING M10	1	1	
2	423.05-02	针杆摆动连杆	DRIVE LINK ASM.	1	1	
3	423.05-03	摆针转转连杆销	LINK	1	1	
4	423.05-04	摆针凸轮轴	NEEDLE VIBRATING CAM SHAFT	1	1	
5	423.05-05	针杆摆动连杆套	BUSHING	1	1	
6	423.05-06	摆动连杆导向块A	DRIVE LINK GUIDE A	1	1	
7	423.05-07	针杆摆动轴座组件	SHAFT CONNECTION ASM.	1	1	
8	423.05-07-01	针杆摆动轴座	SHAFT CONNECTION	(1)	(1)	
9	423.05-07-02	针杆摆动轴座螺钉	SCREW 3/16-28 L=14	(1)	(1)	
10	423.05-07-03	垫片	WASHER 5.1X7.5X0.5	(1)	(1)	
11	423.05-08	摆针传动连杆	LINK	1	1	
12	423.05-09	针杆摆动轴座销	PIN D	1	1	
13	423.05-10	摆动连杆导向块B	DRIVE LINK GUIDE B	1	1	
14	423.05-11	针杆摆动连杆轴	PIN A	1	1	
15	423.05-12	垫圈	WASHER	1	1	
16	423.05-13	挡圈	THRUST COLLAR	1	1	
17	423.05-14	摆针传动连杆螺钉	SCREW 11/64-40 L=8.5	1	1	
18	423.05-15	针杆摆动连杆轴螺钉	SCREW 9/64-40 L=5.5	2	2	
19	423.05-16	针杆摆动连杆螺钉	SCREW 11/64-40 L=8.5	1	1	
20	423.05-17	针迹凸轮	NEEDLE CAM	1	1	
21	423.05-18	针迹凸轮螺钉	SCREW 11/64-40 L=14	3	3	
22	423.05-19	针迹凸轮滚轮轴	NEEDLE CAM ROLLER SHAFT	2	2	
23	423.05-20	针迹凸轮滚柱	NEEDLE CAM ROLLER A	2	2	
24	423.05-21	蜗轮	WORM WHEEL COMPL	1	1	
25	423.05-22	蜗杆螺钉	SCREW 1/4-40 L=6	4	4	
26	423.05-23	蜗杆	WORM A	1	1	
27	423.05-24	摆针凸轮轴螺钉	SCREW 1/4-40 L=8.5	1	1	
28	423.05-25	橡皮圈	RUBBER RING	1	1	
29	423.05-26	挡圈	THRUST COLLAR ASM.D=10.32 W=1	1	1	
30	423.05-27	挡圈	THRUST COLLAR ASM.D=10.32 W=1	1	1	
31	423.05-28	摆动连杆导向块A螺钉	SCREW 15/64-28 L=7	1	1	
32	423.05-29	摆动连杆导向块A螺钉	SCREW 1/4-40 L=4.2	1	1	
33	423.05-30	摆针凸轮轴螺钉	SCREW 1/4-40 L=8.5	1	1	
34	423.05-31	挡圈螺钉	SCREW 1/4-40 L=10	1	1	
35	423.05-32	挡圈螺钉	SCREW 1/4-40 L=6	3	3	
36	423.05-33	挡圈螺钉	SCREW 9/64-40 L=5	2	2	

6. 摆针部件(2)

NEEDLE VIBRATOR & ADJUSTMENT COMPONENTS (2)



6.摆针部件(2)

www.knitism.ru

6.NEEDLE VIBRATOR & ADJUSTMENT COMPONENTS(2)

序号	图号	名称	DESCRIPTION	2284	2284-7	备注
1	423.06-01	针位调节底座	NEEDLE POSITION CHANGE BASE	1	1	
2	423.06-02	针位调节底座螺钉	HINGE SCREW D=8 H=4	1	1	
3	423.06-03	波型垫圈	WAVED WASHER 8.5X12.5X0.3	3	3	
4	423.06-04	螺母	NUT 15/64-28	1	1	
5	423.06-05	针杆调节固定板	CHANGE BASE FITTING PLATE	1	1	
6	423.06-06	机臂	ARM	1	1	
7	423.06-07	摆针变位轴	SHAFT	1	1	
8	423.06-08	摆针变位轴螺钉	SCREW 9/64-40 L=6	3	3	
9	423.06-09	垫圈	WASHER	2	2	
10	423.06-10	波形垫圈	WAVED WASHER	1	1	
11	423.06-11	开口挡圈	SNAP RING M10.	1	1	
12	423.06-12	机臂销	SHAFT	1	1	
13	423.06-13	螺母	NUT 15/64-28	1	1	
14	423.06-14	限位器组件	STOPPER ASM.	1	1	
15	423.06-15	卡簧	E-RING	1	1	
16	423.06-16	螺母	NUT	1	1	
17	423.06-17	止动螺母	NUT STOPPER	1	1	
18	423.06-18	杠杆组件	LEVER ASM.	1	1	
19	423.06-19	卡簧	E-RING 4	1	1	
20	423.06-20	滚珠	HAND STOP CRANK SHAFT BALL	1	1	
21	423.06-21	弹簧	SPRING	1	1	
22	423.06-22	油封	OIL SHIELD	1	1	
23	423.06-23	止动螺母螺钉	SCREW 9/64-40 L=5.0	1	1	
24	423.06-24	密封垫	PACKING	1	1	
25	423.06-25	挡圈	ROLLER	1	1	
26	423.06-26	针位调节螺钉	ADJUSTING PICK-UP SCREW	1	1	
27	423.06-27	针位锁紧螺母	ADJUSTING PICK-UP	1	1	
28	423.06-28	针位锁紧螺母螺钉	SCREW M4 X0.7 L=5	2	2	
29	423.06-29	摆针旋钮	KNOB	1	1	
30	423.06-30	摆针旋钮限位挡圈	LEVER STOPPER	2	2	
31	423.06-31	摆针旋钮螺钉	SCREW 9/64-40 L=6	2	2	
32	423.06-32	摆针旋钮垫圈	WASHER	2	2	
33	423.06-33	摆针旋钮杠杆	LEVER	1	1	
34	423.06-34	刻度盘组件	SCALE PLATE ASM.	1	1	
35	423.06-34-01	刻度盘	SCALE PLATE	(1)	(1)	
36	423.06-34-02	刻度盘安装板	SCALE MOUNTING BASE COMPL.	(1)	(1)	
37	423.06-34-03	刻度盘螺钉	SCREW 1/8-44 L=2.5	(2)	(2)	
38	423.06-35	机壳前盖板	SIDE COVER ASM.	1	1	
39	423.06-36	刻度拨盘	LEVER	1	1	
40	423.06-37	刻度拨盘手柄	KNOB	1	1	
41	423.06-38	刻度拨盘止动环	LEVER STOPPER	2	2	
42	423.06-39	刻度拨盘螺钉	SCREW 9/64-40 L=3.5	2	2	
43	423.06-40	刻度拨盘垫圈	WASHER 3.7X8X1	2	2	
44	423.06-41	限位键	KEY	1	1	
45	423.06-42	弹簧	SPRING	1	1	
46	423.06-43	针杆调节固定板螺钉	SCREW 3/16-28 L=10	4	4	
47	423.06-44	摆针旋钮杠杆螺钉	SCREW 9/64-40 L=8.5	1	1	
48	423.06-45	摆针旋钮螺钉	SCREW 3/16-32 L=6.5	1	1	
49	423.06-46	垫圈	WASHER	1	1	
50	423.06-47	波形垫圈	WAVED WASHER 8.5X12.5X0.3	2	2	
51	423.06-48	垫片	WASHER	1	1	
52	423.06-49	垫片	WASHER 3.7X6X1	1	1	

7.摆针凸轮转换部件

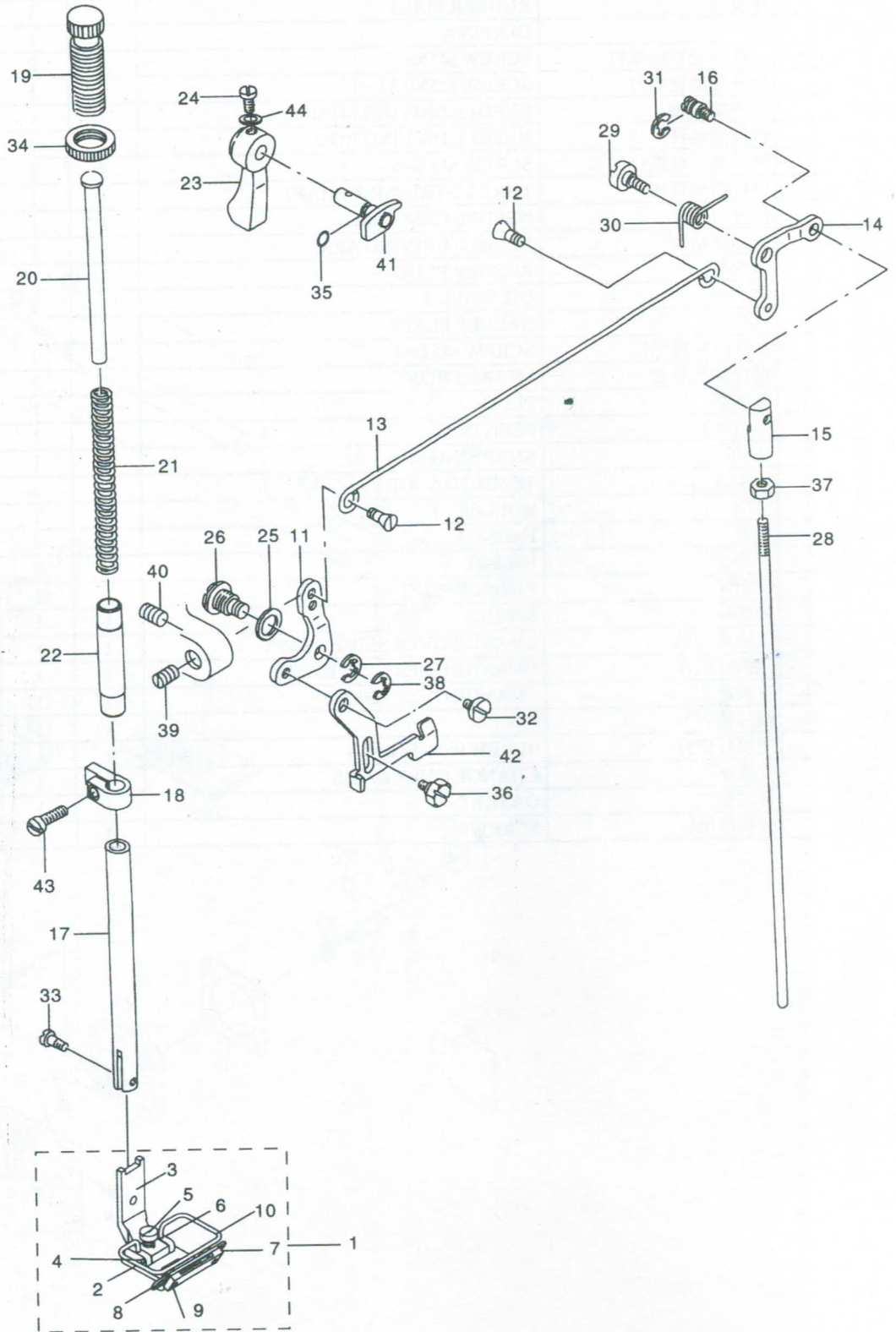
www.knitism.ru

7.NEEDLE VIBRATOR CAM CHANGED COMPONENTS(3)

序号	图号	名称	DESCRIPTION	2284	2284-7	备注
1	423.07-01	橡皮塞	RUBBER PLUG	1	1	
2	423.07-02	销	DIA PIN A	1	1	
3	423.07-03	针杆摆动臂销螺钉	SCREW M5X6	2	2	
4	423.07-04	针杆摆动臂螺钉	SCREW M5X0.8 L=14	1	1	
5	423.07-05	针杆摆动轴	NEEDLE DRIVING SHAFT	1	1	
6	423.07-06	机针摆动杆	NEEDLE DRIVING ROD	1	1	
7	423.07-07	机针摆动杆螺钉	SCREW M5 L=4	2	2	
8	423.07-08	针杆摆动臂销	THREAD TRIMMER SHAFT	1	1	
9	423.07-09	摆针凸轮臂	NEEDLE CAM ARM	1	1	
10	423.07-10	摆针摆动臂	NEEDLE DRIVING ARM	1	1	
11	423.07-11	橡皮塞	RUBBER PLUG	1	1	
12	423.07-12	防油板	OIL SHIELD	1	1	
13	423.07-13	针板	NEEDLE PLATE	1	1	
14	423.07-14	摆针凸轮臂螺钉	SCREW M5 L=4	4	4	
15	423.07-15	摆针轴前后套	METAL,FRONT	2	2	
16	423.07-16	橡皮塞	PLUG	1	1	
17	423.07-17	送布牙	FEED DOG	1	1	
18	423.07-18	止动环	SNAP RING M10	1	1	
19	423.07-19	同步板	TIMING GAUGE E	1	1	
20	423.07-20	滑块	ROLLER	1	1	
21	423.07-21	卡簧	E-RING4	2	2	
22	423.07-22	卡簧	E-RING	2	2	
23	423.07-23	O型圈	RUBBER RING	1	1	
24	423.07-24	弹簧	SPRING	1	1	
25	423.07-25	变换滑动轴	CHANGE OVER SLIDE SHAFT	1	1	
26	423.07-26	变换杆组件	CHANGE OVER LEVER ASM.	1	1	
27	423.07-26-01	变换杆	CHANGE OVER LEVER	(1)	(1)	
28	423.07-26-02	限位销	PIN	(1)	(1)	
29	423.07-27	变换杆螺钉	SCREW 9/64-40 L=8.5	1	1	
30	423.07-28	变换座	CHANGE OVER BASIS	1	1	
31	423.07-29	密封垫	GASKET	1	1	
32	423.07-30	变换座螺钉	SCREW	4	4	

8. 压脚部件

PRESSER BAR & FEED REGULATOR COMPONENTS



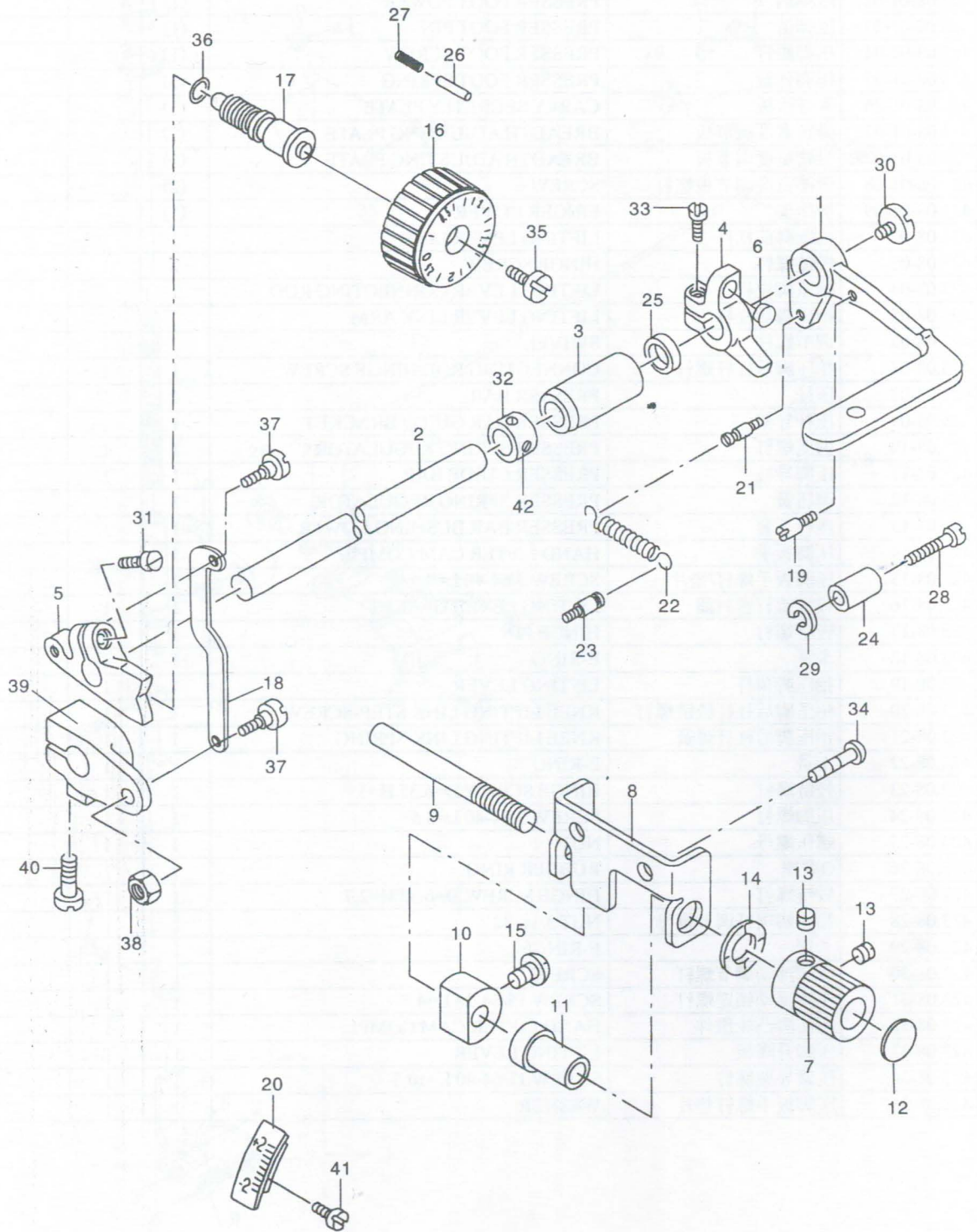
8.压脚部件

8.PRESSER BAR & FEED REGULATOR COMPONENTS

序号	图号	名称	DESCRIPTION	2284	2284-7	备注
1	423.08-01	压脚组件	PRESSER FOOT ASM.	1		
2	423.08-01-01	压脚底板	PRESSER FOOT MOTHERBOARD	(1)		
3	423.08-01-02	压脚柄	PRESSER FOOT POWER	(1)		
4	423.08-01-03	压脚销	PRESSER FOOT PIN	(1)		
5	423.08-01-04	压脚螺钉	PRESSER FOOT SCREW	(1)		
6	423.08-01-05	压脚弹簧	PRESSER FOOT SPRING	(1)		
7	423.08-01-06	夹带压板	CARRY SECRETLY PLATE	(1)		
8	423.08-01-07	带槽宽度调节板	BREADTH ADJUSTING PLATE	(1)		
	423.08-01-07a	带槽宽度调节板	BREADTH ADJUSTING PLATE	(1)		
9	423.08-01-08	带槽宽度调节板螺钉	SCREW	(2)		
10	423.08-01-09	护指架	FINGER COVER	(1)		
11	423.08-02	抬压脚前杠杆	LIFTING LEVER LINK	1	1	
12	423.08-03	铰链螺钉	HINGE SCREW	2	1	
13	423.08-04	抬压脚拉杆	LIFTING LEVER CONNECTING ROD	1	1	
14	423.08-05	抬压脚后杠杆	LIFTING LEVER LINK ARM	1	1	
15	423.08-06	调节螺柱	SWIVEL	1	1	
16	423.08-07	抬压脚后杠杆螺钉	CONNECTING ROD HINGE SCREW	1	1	
17	423.08-08	压杆	PRESSER BAR	1	1	
18	423.08-09	压杆导架	PRESSER BAR GUIDE BRACKET	1	1	
19	423.08-10	调压螺钉	PRESSER SPRING REGULATOR	1	1	
20	423.08-11	压脚导柱	PRESSER GUIDE BAR	1	1	
21	423.08-12	调压簧	PRESSER SPRING REGULATOR	1	1	
22	423.08-13	压杆下套	PRESSER BAR BUSHING,LOWER	1	1	
23	423.08-14	压脚扳手	HAND LIFTER CAM COMPL.	1	1	
24	423.08-15	压脚扳手螺钉/垫片	SCREW 9/64-40 L=9.5	1	1	
25	423.08-16	铰链螺钉密封圈	LIFTING LEVER GASKET	1	1	
26	423.08-17	铰链螺钉	HINGE PIN	1	1	
27	423.08-18	卡簧	E-RING	1	1	
28	423.08-19	抬压脚顶杆	LIFTING LEVER	1	1	
29	423.08-20	抬压脚后杠杆铰链螺钉	KNEE LIFTING LINK STEP-SCREW	1	1	
30	423.08-21	抬压脚后杠杆弹簧	KNEE LIFTING LINK SPRING	1	1	
31	423.08-22	卡簧	E-RING	1	1	
32	423.08-23	铰链螺钉	HINGE SCREW D=6.35 H=3	1	1	
33	423.08-24	压脚螺钉	SCREW 9/64-40 L=8.5	1	1	
34	423.08-25	螺压螺母	NUT	1	1	
35	423.08-26	O型圈	RUBBER RING	1	1	
36	423.08-27	铰链螺钉	HINGE SCREW D=6.35 H=2.7	1	1	
37	423.08-28	抬压脚项杆调节螺母	NUT 3/16-32	1	1	
38	423.08-29	卡簧	E-RING6	1	1	
39	423.08-30	压脚浮动调节螺钉	SCREW	1	1	
40	423.08-31	压脚浮动锁定螺钉	SCREW 15/64-28 L=4.7	1	1	
41	423.08-32	抬压脚凸轮组件	HAND LIFTER CAM COMPL.	1	1	
42	423.08-33	压脚升降板	LIFTING LEVER	1	1	
43	423.08-34	压紧导架螺钉	SCREW 11/64-40 L=10.5	1	1	
44	423.08-35	压脚扳手螺钉垫片	WASHER	1	1	

9. 倒针部件

FEED MECHANISM & CONDENSE COMPONENTS



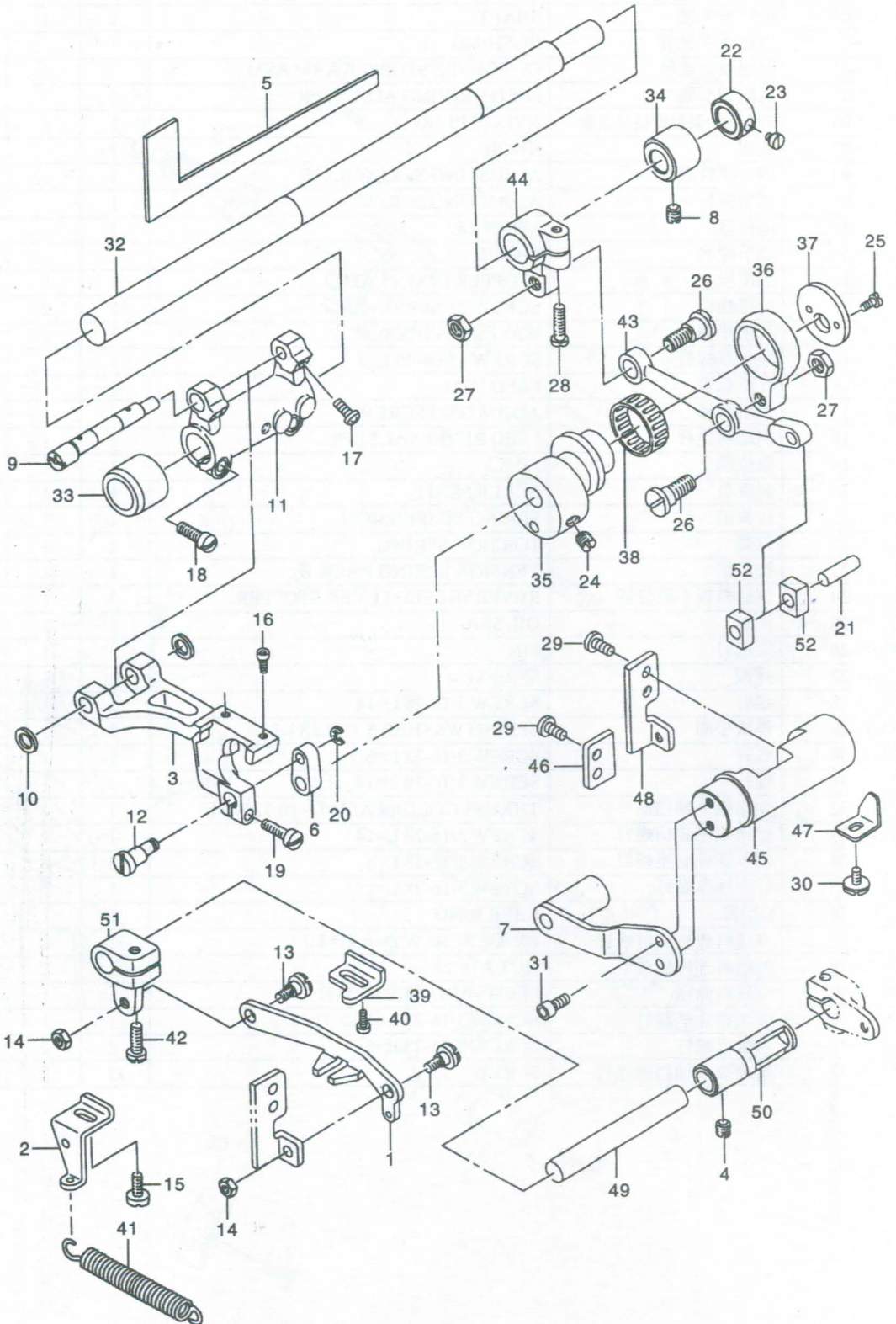
9.倒针部件(2)

9.FEED MECHANISM & CONDENSE COMPONENTS

序号	图号	名称	DESCRIPTION	2284	2284-7	备注
1	423.09-01	倒针扳手	LEVER	1	1	
2	423.09-02	倒针扳手轴	SHAFT	1	1	
3	423.09-03	倒针扳手轴套	BUSHING	1	1	
4	423.09-04	倒缝限位曲柄	CONDENSE STOPPER ARM ASM.	1	1	
5	423.09-05	送料调节器	FEED DRIVING ADJUSTER	1	1	
6	423.09-06	倒针扳手限位曲柄尼龙塞	NYLON PLUG	1	1	
7	423.09-07	旋钮	KNOB	1	1	
8	423.09-08	调节螺杆底板	ADJUSTING SCREW BASE	1	1	
9	423.09-09	调节螺杆	ADJUSTING SCREW	1	1	
10	423.09-10	限位器	STOPPER	1	1	
11	423.09-11	调节螺套	SHAFT	1	1	
12	423.09-12	刻度板	STOPPER DIAL PLATE	1	1	
13	423.09-13	旋扭螺钉	SCREW 11/64-40 L=3.5	2	2	
14	423.09-14	波形垫圈	WAVED WASHER	1	1	
15	423.09-15	限位器螺钉	SCREW 11/64-40 L=7	1	1	
16	423.09-16	针距标盘	FEED DIAL	1	1	
17	423.09-17	调节螺杆	ADJUSTING SCREW	1	1	
18	423.09-18	倒送料连杆	FEED REVERSAL LINK	1	1	
19	423.09-19	限位销	PIN	1	1	
20	423.09-20	刻度盘	SCALE PLATE	1	1	
21	423.09-21	拉簧销	SPRING SUSPENSION	1	1	
22	423.09-22	拉簧	TORSION SPRING	1	1	
23	423.09-23	拉簧销	TENSION SPRING RACK B	1	1	
24	423.09-24	倒送料扳手限位器	REVERSE FEED LEVER STOPPER	1	1	
25	423.09-25	油封	OIL SEAL	1	1	
26	423.09-26	限位钉	PIN	1	1	
27	423.09-27	弹簧	SPRING	1	1	
28	423.09-28	螺钉	SCREW 3/16-28 L=14	1	1	
29	423.09-29	弹簧垫圈	SPRING WASHER 5.1X9.2X1.3	1	1	
30	423.09-30	螺钉	SCREW 3/16-32 L=6.5	1	1	
31	423.09-31	螺钉	SCREW 3/16-28 L=14	1	1	
32	423.09-32	倒送扳手轴挡圈	THRUST COLLAR ASM D=10.32 W=1	1	1	
33	423.09-33	倒送限位曲柄螺钉	SCREW 3/16-28 L=14	1	1	
34	423.09-34	调节螺杆底座螺钉	SCREW 3/16-28 L=6	2	2	
35	423.09-35	针距标盘螺钉	SCREW 3/16-28 L=18	1	1	
36	423.09-36	O型圈	RBER RING	1	1	
37	423.09-37	倒送料连杆铰链螺钉	HINGE SCREW D=6, H=3.2	2	2	
38	423.09-38	倒送料连杆螺母	NUT 3/16-28	1	1	
39	423.09-39	倒送料曲柄	FEED VARIABLE ARM B	1	1	
40	423.09-40	倒送料曲柄螺钉	SCREW 3/16-28 L=15.5	1	1	
41	423.09-41	刻度盘螺钉	SCREW 3/16-28 L=6	2	2	
42	423.09-42	倒顺扳手轴挡圈螺钉	SCREW	2	2	

10. 送料、抬牙部件

FEED MECHANISM COMPONENTS



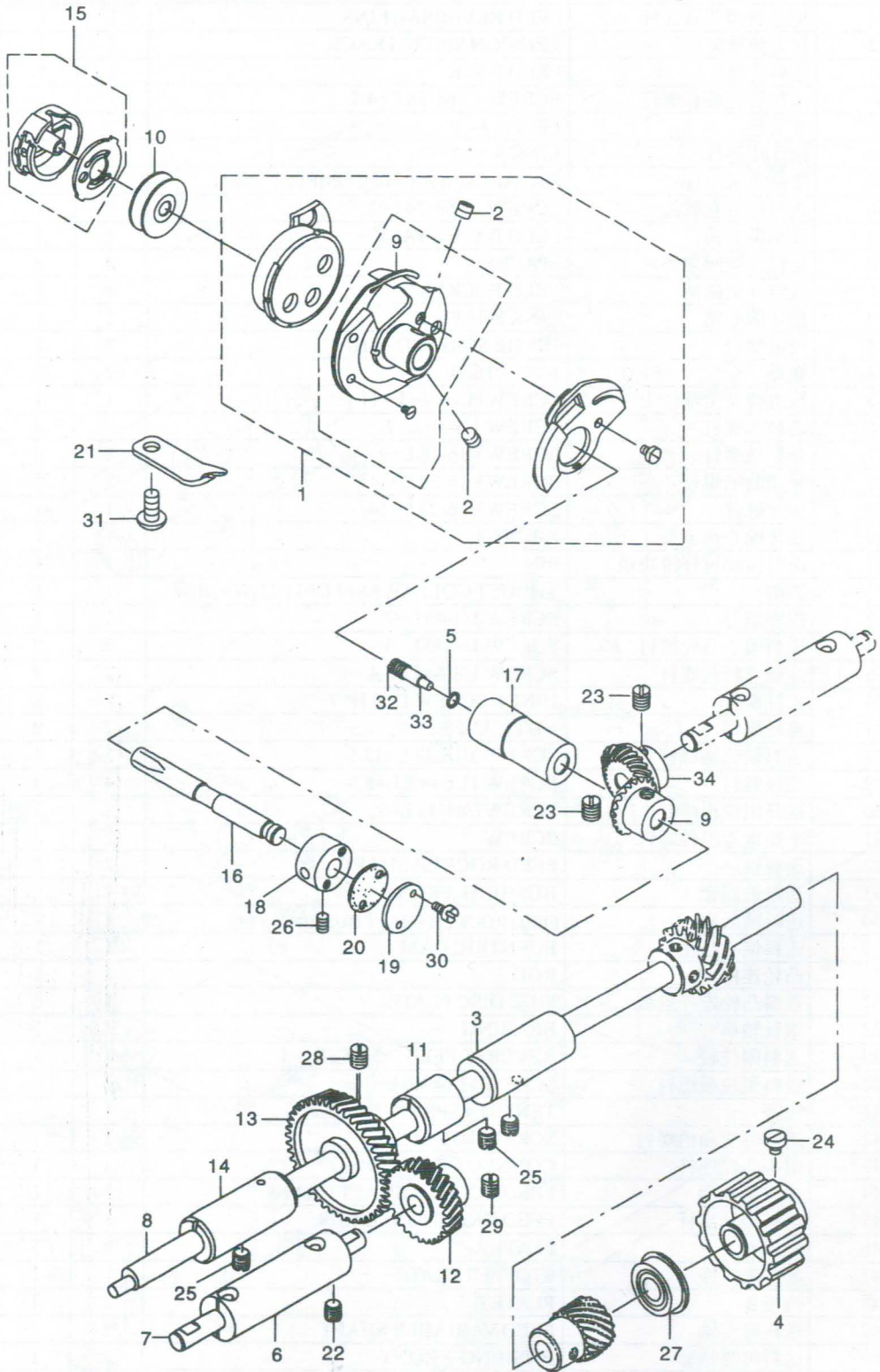
10.送料拾牙部件(2)

10.FEED MECHANISM COMPONENTS

序号	图号	名称	DESCRIPTION	2284	2284-7	备注
1	423.10-01	倒送料调节器连杆	FEED REVERSAL LINK	1	1	
2	423.10-02	拉力弹簧架	TENSION SPRING RACK	1	1	
3	423.10-03	送料牙架	FEED BASE	1	1	
4	423.10-04	送料可变轴套螺钉	SCREW 15/64-28 L=4.7	1	1	
5	423.10-05	羊毛毡	FELT	1	1	
6	423.10-06	拾牙小连杆	LINK	1	1	
7	423.10-07	平衡重量组件	BALANCE WEIGHT COMPL.	1	1	
8	423.10-08	送料轴后套螺钉	SCREW 15/64-28 L=7	1	1	
9	423.10-09	牙架偏心销	FEED BASE SHAFT	1	1	
10	423.10-10	送料牙架间隙垫片	SPACER	2	2	
11	423.10-11	送料牙架曲柄	FEED POKKER	1	1	
12	423.10-12	拾牙偏心销	LINK SHAFT	1	1	
13	423.10-13	铰链螺钉	HINGE SCREW D=6 H=3.2	2	2	
14	423.10-14	螺母	NUT 3/16-28	2	2	
15	423.10-15	拉力弹簧架螺钉	SCREW 11/64-40 L=11	1	1	
16	423.10-16	送料牙螺钉	SCREW 1/8-40 L=7	2	2	
17	423.10-17	牙架销螺钉	SCREW 3/16-28 L=9	2	2	
18	423.10-18	牙架曲柄螺钉	SCREW 3/16-28 L=14	2	2	
19	423.10-19	牙架螺钉	SCREW 3/16-28 L=14	1	1	
20	423.10-20	拾牙偏心销卡簧	E-RING 3	1	1	
21	423.10-21	送料传动摇杆滑块销	PIN	1	1	
22	423.10-22	挡圈	THRUST COLLAR ASM D=11.11, W=10	1	1	
23	423.10-23	挡圈螺钉	SCREW 1/4-40 L=7	1	1	
24	423.10-24	送料偏心凸轮螺钉	SCREW 1/4-40 L=8	2	2	
25	423.10-25	凸轮连杆盖螺钉	SCREW 1/8-44 L=6.4	2	2	
26	423.10-26	连杆螺钉	HINGE SCREW D=9 H=7	2	2	
27	423.10-27	连杆螺母	NUT 9/32-28	2	2	
28	423.10-28	送料轴曲柄螺钉	SCREW 3/16-28 L=15.5	1	1	
29	423.10-29	挡板螺钉	SCREW 11/64-40 L=8.5	4	4	
30	423.10-30	摇杆限位板螺钉	SCREW 1/64-40 L=7	1	1	
31	423.10-31	平衡重量组件螺钉	SCREW	2	2	
32	423.10-32	送料轴	FEED ROCKER SHAFT	1	1	
33	423.10-33	送料轴前套	BUSHING, FRONT	1	1	
34	423.10-34	送料轴后套	FEED ROCKER SHAFT BUSHING, FRO	1	1	
35	423.10-35	送料偏心凸轮	ECCENTRIC CAM	1	1	
36	423.10-36	凸轮连杆	ROD	1	1	
37	423.10-37	送料凸轮连杆盖板	SIDE DISC PLATE	1	1	
38	423.10-38	滚针轴承	BEARING	1	1	
39	423.10-39	送料限位板	REVERSE FEED LIMITER	1	1	
40	423.10-40	送料限位板螺钉	SCREW 11/64-40 L=11	1	1	
41	423.10-41	拉簧	TENSION SPRING RACK	1	1	
42	423.10-42	送料可变曲柄螺钉	SCREW 3/16-28 L=14	1	1	
43	423.10-43	偏心凸轮连杆	CONNECTING ROD	1	1	
44	423.10-44	送料轴曲柄	FEED ROCKER SHAFT CRANK	1	1	
45	423.10-45	送料传动摇杆	FEED DRIVING ROCKER	1	1	
46	423.10-46	挡板 A	PLATE A	1	1	
47	423.10-47	摇杆限位板	STOPPER PLATE	1	1	
48	423.10-48	挡板 B	PLATE B	1	1	
49	423.10-49	送料可变轴	FEED VARIABLE SHAFT	1	1	
50	423.10-50	送料可变轴套	BUSHING, FRONT	1	1	
51	423.10-51	送料可变曲柄	FEED VARIABLE ARM C	1	1	
52	423.10-52	送料传动摇杆滑块	FEED DRIVING ROCKER BLOCK	2	2	

11. 下轴勾线部件

HOOK DRIVING SHAFT & HOOK COMPONENTS



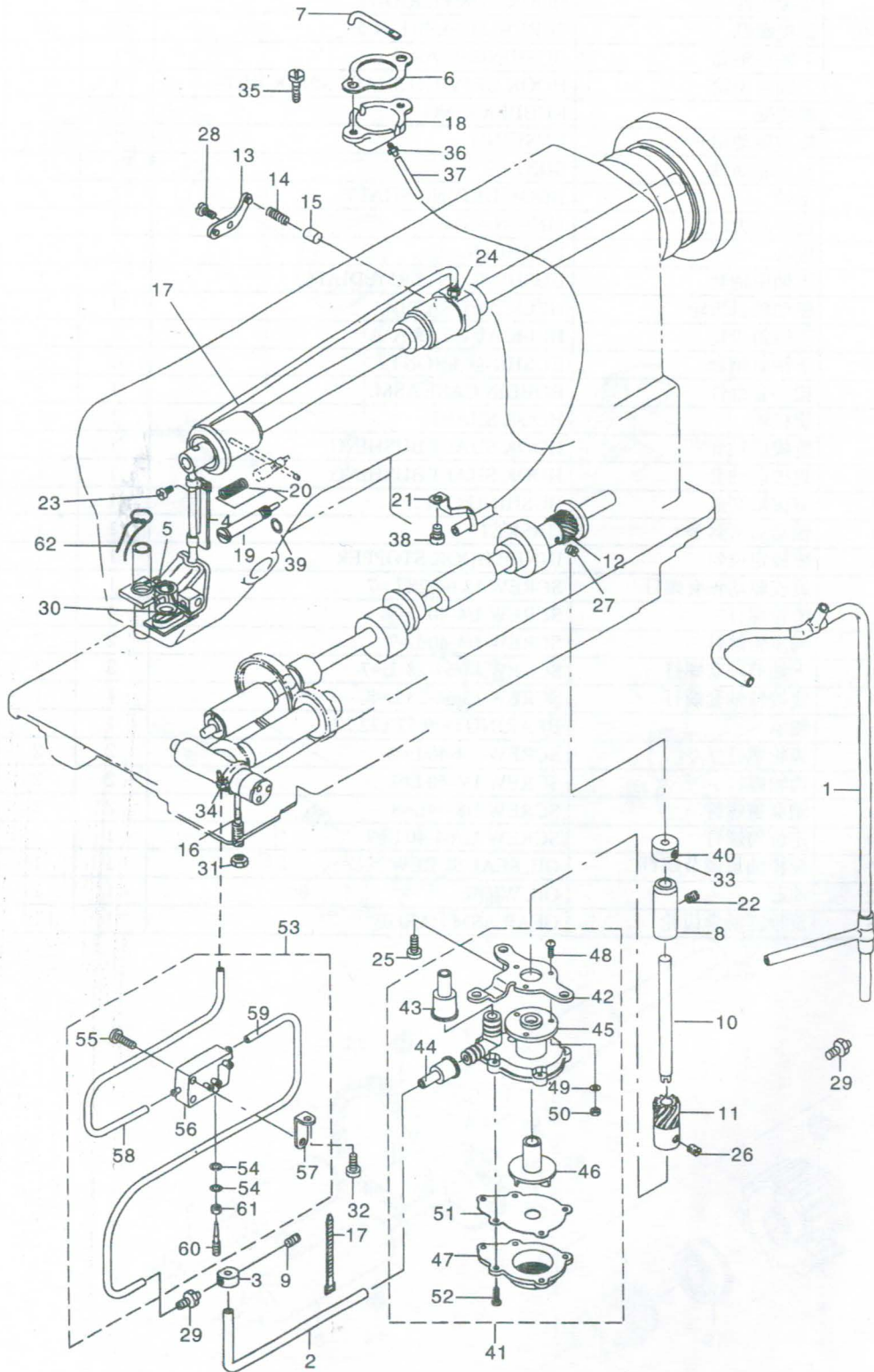
11.下轴勾线部件

11.HOOK DRIVING SHAFT & HOOK COMPONENTS

序号	图号	名称	DESCRIPTION	2284	2284-7	备注
1	423.11-01	旋梭组件	HOOK COMPL,RIGHT	1	1	
2	423.11-01-01	旋梭螺钉	SCREW 11/64-40 L=4.5	(2)	(2)	
3	423.11-02	下轴后轴套	BUSHING REAR	1	1	
4	423.11-03	下轴同步轮	HOOK DRIVING SHAFT SPROCKET	1	1	
5	423.11-04	橡皮圈	RUBBER RING	1	1	
6	423.11-05	旋梭驱动轴套	BUSHING	1	1	
7	423.11-06	旋梭驱动轴	SHAFT	1	1	
8	423.11-07	下轴	HOOK DRIVNG SHAFT	1	1	
9	423.11-08	旋梭伞齿轮	PINION ASM.	1	1	
10	423.11-09	梭心	BOBBIN S	1	1	
11	423.11-10	下轴中轴套	BUSHING ,INTERMEDIATE	1	1	
12	423.11-11	驱动轴斜齿轮	HELICAL GEAR B	1	1	
13	423.11-12	下轴斜齿轮	HELICAL GEAR A ,A	1	1	
14	423.11-13	下轴前轴套	BUSHING ,FRONT	1	1	
15	423.11-14	梭心套组件	BOBBIN CASE ASM.	1	1	
16	423.11-15	旋梭轴	HOOK SHAFT	1	1	
17	423.11-16	旋梭后轴套	HOOK SHAFT BUSHING	1	1	
18	423.11-17	旋梭前轴套	HOOK SHAFT BUSHING	1	1	
19	423.11-18	旋梭轴套盖	BUSHING CAP	1	1	
20	423.11-19	轴套盖密封垫	GASKET	1	1	
21	423.11-20	旋梭定位勾	INNER HOOK STOPPER	1	1	
22	423.11-21	旋梭驱动轴套螺钉	SCREW 15/64-28 L=7	1	1	
23	423.11-22	齿轮螺钉	SCREW 1/4-40 L=8	4	4	
24	423.11-23	同步轮螺钉	SCREW 1/4-40 L=7	2	2	
25	423.11-24	下轴前轴套螺钉	SCREW 15/64-28 L=7	3	3	
26	423.11-25	旋梭轴轴套螺钉	SCREW 15/64-28 L=8	1	1	
27	423.11-26	轴承	BEARING D=9.52X22.22	1	1	
28	423.11-27	齿轮螺钉	SCREW 1/4-40 L=8	2	2	
29	423.11-28	齿轮螺钉	SCREW 1/4-40 L=8	2	2	
30	423.11-29	轴套盖螺钉	SCREW 1/8-44L=8	2	2	
31	423.11-30	定位勾螺钉	SCREW 11/64-40 L=9	1	1	
32	423.11-31	旋梭油量调节螺钉	OIL SEAL SCREW	1	1	
33	423.11-32	油芯	OIL WICK	1	1	
34	423.11-33	旋梭驱动伞齿轮	GEAR ASM.LARGE	1	1	

12. 润滑部件

LUBRICATION COMPONENTS



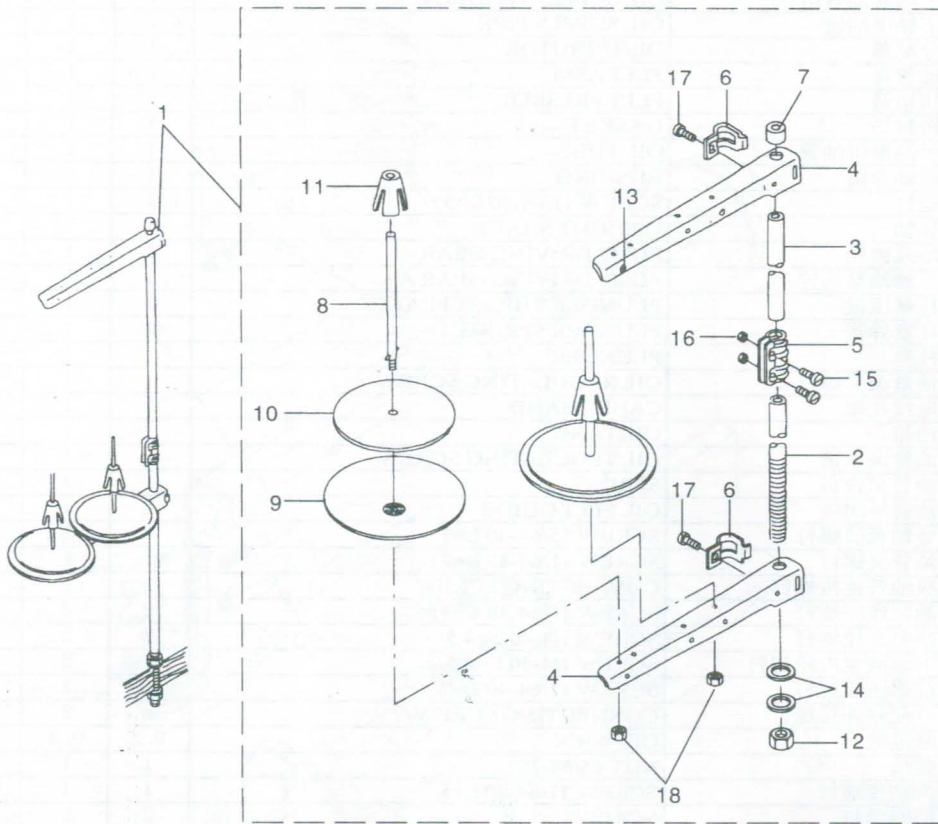
12. 润滑部件

12.LUBRICATION COMPONENTS

序号	图号	名称	DESCRIPTION	2284	2284-7	备注
1	423.12-01	上轴共油管组件	OIL SUPPLY PIPE ASM.	1	1	
2	423.12-02	下轴供油管	OIL SUPPLY PIPE	1	1	
3	423.12-03	分配器	DISTRIBUTOR	1	1	
4	423.12-04	油管夹	FELT ASM.	1	1	
5	423.12-05	压毡簧	FELT PRESSER	1	1	
6	423.12-06	密封垫	GASKET	1	1	
7	423.12-07	示油窗供油管	OIL TUBE	1	1	
8	423.12-08	竖轴套筒	BUSHING	1	1	
9	423.12-09	螺钉	SCREW 11/64-40 L=5	1	1	
10	423.12-10	竖轴	UPRIGHT SHAFT	1	1	
11	423.12-11	油泵齿轮	PUMP DRIVING GEAR	1	1	
12	423.12-12	下轴油泵齿轮	PUMP DRIVING GEAR A	1	1	
13	423.12-13	柱塞压板	PLUNGER THREST PLATE	1	1	
14	423.12-14	柱塞弹簧	PLUNGER SPRING	1	1	
15	423.12-15	柱塞	PLUNGER	1	1	
16	423.12-16	油量调节螺钉	OIL REGULATING SCREW	1	1	
17	423.12-17	电线扎带	CABLE BAND	1	1	
18	423.12-18	油箱	OIL TANK	1	1	
19	423.12-19	油量调节销	OIL TEGULATING SCREW	1	1	
20	423.12-20	油量销弹簧	SPRING	1	1	
21	423.12-21	油管导向板	OIL FELT GUIDE	1	1	
22	423.12-22	竖轴套筒螺钉	SCREW 15/64-40 L=7	1	1	
23	423.12-23	油管夹螺钉	SCREW 11/64-40 L=7	1	1	
24	423.12-24	吸油管连接螺钉	CONNECTING SCREW	1	1	
25	423.12-25	油泵底座螺钉	SCREW 11/64-40 L=11	2	2	
26	423.12-26	油泵齿轮螺钉	SCREW 1/4-40 L=4.5	2	2	
27	423.12-27	下轴油泵齿轮螺钉	SCREW 1/4-40 L=4.5	2	2	
28	423.12-28	柱塞压板螺钉	SCREW 11/64-40 L=7	1	1	
29	423.12-29	分配器连接螺钉	CONNECTING SCREW	2	2	
30	423.12-30	吸油毡	OIL WICK	0.2	0.2	
31	423.12-31	螺母	NUT 15/64-28	1	1	
32	423.12-32	调油座螺钉	SCREW 11/64-40 L=5	1	1	
33	423.12-33	挡圈螺钉	SCREW	2	2	
34	423.12-34	旋梭轴供油管连接螺钉	CONNECTING SCREW	1	1	
35	423.12-35	油箱座螺钉	SCREW 11/64-40 L=14	2	2	
36	423.12-36	油管连接螺钉	CONNECTING SCREW	1	1	
37	423.12-37	油管	OIL TUBE	0.3	0.3	
38	423.12-38	导向板螺钉	SCREW 11/64-40 L=5	1	1	
39	423.12-39	O型圈	RUBBER RING	1	1	
40	423.12-40	挡圈	THRUST COLLAR ASM.	1	1	
41	423.12-41	油泵组件	LUBRICATING OIL PUMP ASM.	1	1	
42	423.12-41-01	油泵底座	OIL PUMP INSTALLING BASE	(1)	(1)	
43	423.12-41-02	油管橡皮接头	RUBBER JOINT	(1)	(1)	
44	423.12-41-03	油管橡皮接头	RUBBER JOINT	(1)	(1)	
45	423.12-41-04	润滑油管泵	LUBRICATING OIL PUMP	(1)	(1)	
46	423.12-41-05	油泵进油器	OIL PUMP IMPELLER	(1)	(1)	
47	423.12-41-06	油泵盖底	OIL PUMP IMPELLER COVER	(1)	(1)	
48	423.12-41-07	油泵盖底螺钉	SCREW M3X0.5 L=10	(3)	(3)	
49	423.12-41-08	垫圈	WASHER	(3)	(3)	
50	423.12-41-09	螺母	NUT M3X0.5	(3)	(3)	
51	423.12-41-10	油泵盖	LUBRICATING OIL PUMP COVER	(3)	(3)	
52	423.12-41-11	螺钉	SCREW	(5)	(5)	
53	423.12-42	调油座阀组件	OIL REGULATING VALVE ASM.	1	1	
5	423.12-42-01	垫圈	WASHER	(2)	(2)	
55	423.12-42-02	连接板螺钉	SCREW 11/64-40 L=14	(1)	(1)	
56	423.12-42-03	调油座	OIL REGULATING VALVE	(1)	(1)	
57	423.12-42-04	调油座连接板	WIPER LINK JOINT	(1)	(1)	
58	423.12-42-05	油管	OIL TUBE	(0.18)	(0.18)	
59	423.12-42-06	油管	OIL TUBE	(0.14)	(0.14)	
60	423.12-42-07	调油螺钉	OIL ADJUSTING SCREW	(1)	(1)	
61	423.12-42-08	螺母	NUT 11/64-40	(1)	(1)	
62	423.12-43	油线	OIL WICK	0.2	0.2	
63	423.12-44	吸油管	OILTUBE	1	1	

13. 线架部件

THREAD STAND COMPONENTS



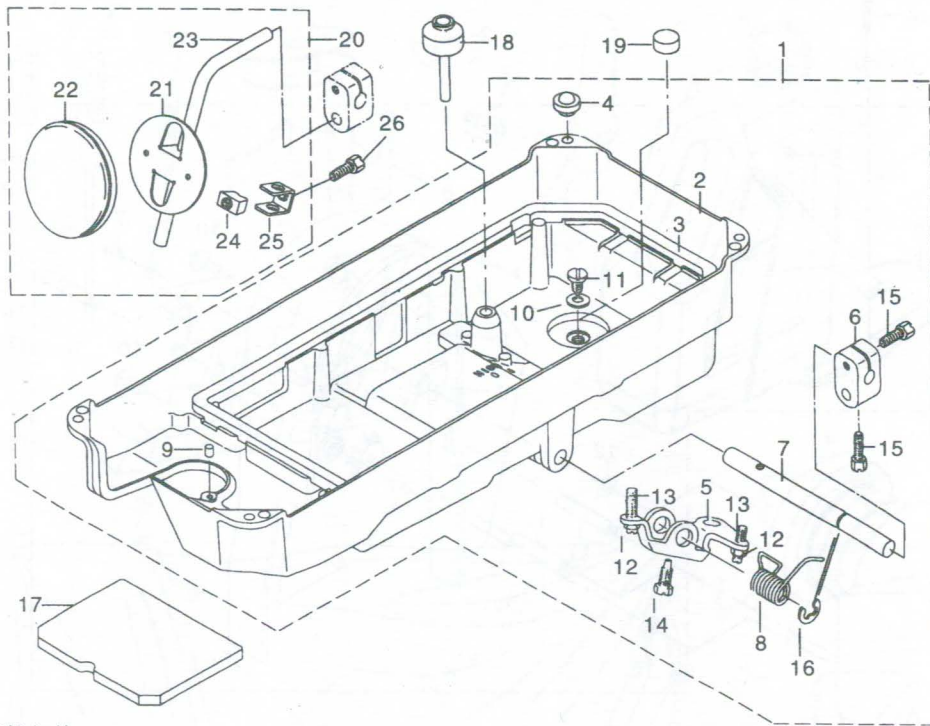
13.线架部件

13.THREAD STAND COMPONENTS

序号	图号	名称	DESCRIPTION	2284	2284-7	备注
1	423.13-01	线架组件	THREAD STAND ASM.	(1)	(1)	
2	423.13-01-01	线架下杆	SPOOL REST ROD,LOWER	(1)	(1)	
3	423.13-01-02	线架上杆	SPOOL REST ROD,UPPER	(1)	(1)	
4	423.13-01-03	线架臂	THREAD GUIDE ARM B	(2)	(2)	
5	423.13-01-04	上下杆接头	SPOOL REST ROD JOINT	(1)	(1)	
6	423.13-01-05	线架臂接头	THREAD GUIDE ARM JOINT	(2)	(2)	
7	423.13-01-06	线架杆帽	SPOOL REST ROD CAP	(1)	(1)	
8	423.13-01-07	线盘钉	SPOOL PIN	(2)	(2)	
9	423.13-01-08	线盘	SPOOL REST	(2)	(2)	
10	423.13-01-09	线盘垫	SPOOL REST CUSHION	(2)	(2)	
11	423.13-01-10	线盘固定架	SPOOL RETAINER	(2)	(2)	
12	423.13-01-11	螺母	NUT	(1)	(1)	
13	423.13-01-12	导线塞	THREAD GUIDE	(2)	(2)	
14	423.13-01-13	垫圈	WASHER 16X30X2.6	(2)	(2)	
15	423.13-01-14	螺钉	SCREW M5 L=14	(2)	(2)	
16	423.13-01-15	螺母	NUT M5	(2)	(2)	
17	423.13-01-16	螺钉	SCREW M6 L=16	(2)	(2)	
18	423.13-01-17	螺母	NUT M5	(2)	(2)	

14. 油盘、膝控部件

OIL RESERVOIR & KNEE LIFTER COMPONENTS



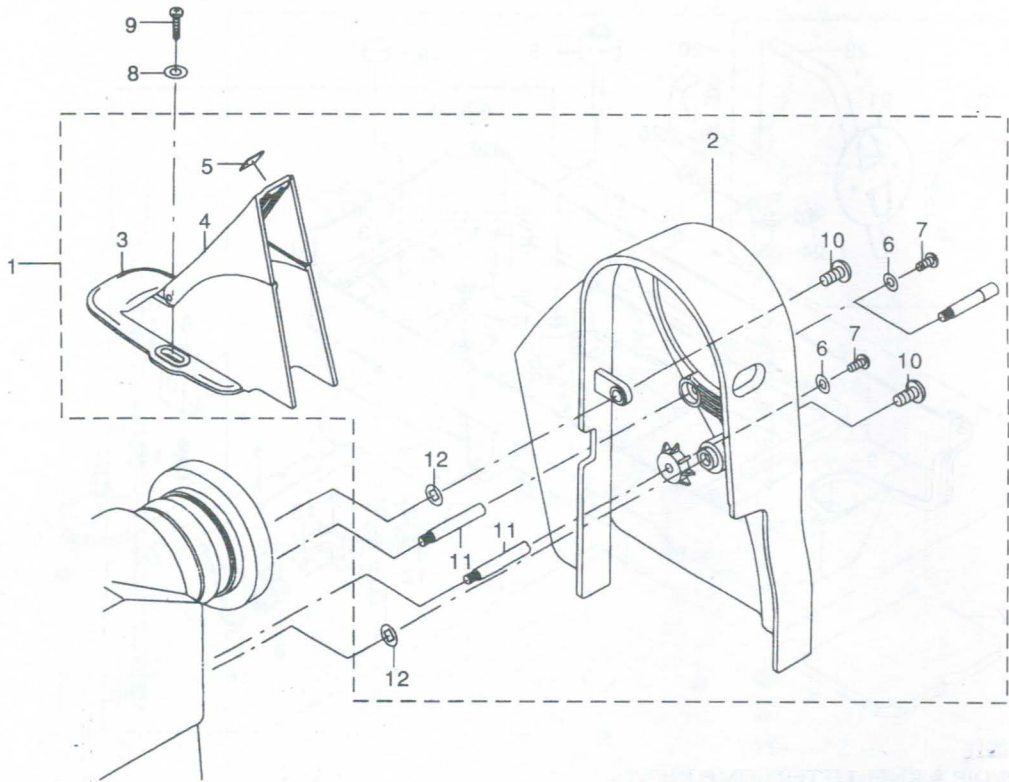
14.油盘、膝控部件

14. OIL RESERVOIR & KNEE LIFTER COMPONENTS

序号	图号	名称	DESCRIPTION	2284	2284-7	备注
1	423.14-01	油盘组件	OIL RESERVOIR ASM.	1	1	
2	423.14-01-01	油盘	OIL RESERVOIR	(1)	(1)	
3	423.14-01-02	油盘密封垫	OIL RESERVOIR GASKET	(1)	(1)	
4	423.14-01-03	垫块	RUBBER CUSHION	4	4	
5	423.14-01-04	抬压脚双向曲柄	CONNECTING ROT,VERTICAL	(1)	(1)	
6	423.14-01-05	抬压脚操纵接头	BRACKET	(1)	(1)	
7	423.14-01-06	膝提压脚轴	KNEE PRESS ROD	(1)	(1)	
8	423.14-01-07	弹簧	SPRING	(1)	(1)	
9	423.14-01-08	橡胶塞	RUBBER PLUG	(1)	(1)	
10	423.14-01-09	O型圈	RUBBER RING	(1)	(1)	
11	423.14-01-10	油盘放油螺钉	SCREW	(1)	(1)	
12	423.14-01-11	螺母	NUT M6	(2)	(2)	
13	423.14-01-12	螺栓	SCREW M6 L=30	(2)	(2)	
14	423.14-01-13	抬压脚双向曲柄螺钉	SCREW M6 L=17.5	1	1	
15	423.14-01-14	操纵杆接头螺钉	SCREW M6 L=20	(2)	(2)	
16	423.14-01-15	卡簧	E-RING 10	(1)	(1)	
17	423.14-02	油盘海绵擦	OIL RESERVOIR BASE	1	1	
18	423.14-03	压脚顶杆	KNEE PRESS LIFTER ROD	1	1	
19	423.14-04	磁铁	OIL RESERVOIR MAGNET	1	1	
20	423.14-05	操纵板组件	KNEE PRESS PLATE ASM.	1		
21	423.14-05-01	操纵板	KNEE PRESS PLATE	(1)		
22	423.14-05-02	操纵板软垫	KNEE PRESS PLATE COVER	(1)		
23	423.14-05-03	操纵杆	KNEE LIFTER PLATE ROD	(1)		
24	423.14-05-04	操纵杆垫块	RUBBER	(1)		
25	423.14-05-05	操纵杆夹头	KNEE PRESS PLATE HOLDER	(1)		
26	423.14-05-06	操纵杆夹头螺钉	SCREW	(1)		

15. 带轮罩部件

BELT COVER COMPONENTS (15)



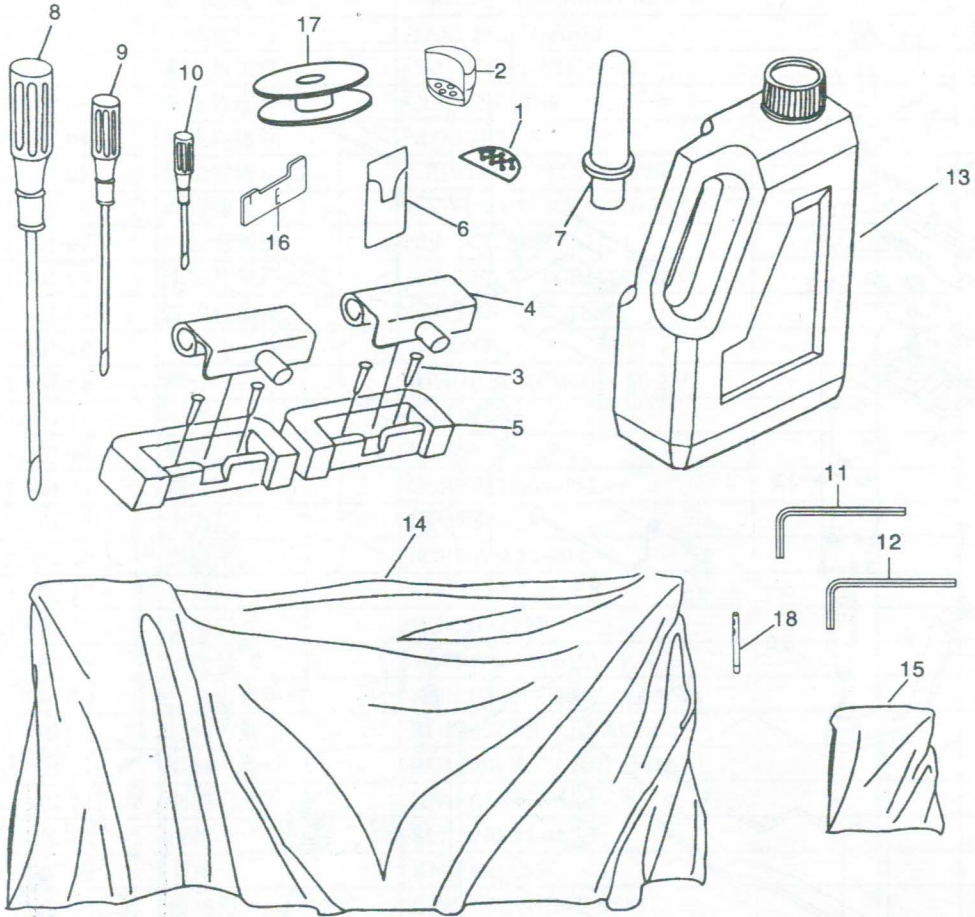
15. 带轮罩部件

15. BELT COVER COMPONENTS

序号	图号	名称	DESCRIPTION	2284	2284-7	备注
1	423.15-01	带轮罩组件	BELT COVER ASM.	1	1	
2	423.15-01-01	上轮前罩壳	BELT COVER A	(1)	(1)	
3	423.15-01-02	上轮后罩壳(B)	BELT COVER B	(1)	(1)	
4	423.15-01-03	上轮后罩壳(C)	BELT COVER C	(1)	(1)	
5	423.15-01-04	橡胶粘贴板	VOBROISOLATING RUBBER	(1)	(1)	
6	423.15-01-05	垫圈	AWSHER 4.5X10X0.8	(2)	(2)	
7	423.15-01-06	支柱螺钉	SCREW 11/64-40 L=9	(2)	(2)	
8	423.15-01-07	垫圈	WASHER 4.5X10X0.8	(2)	(2)	
9	423.15-01-08	木螺钉	WOOD SCREW D=4.1,L=20	(2)	(2)	
10	423.15-01-09	前罩壳固定螺钉	SCREW 15/64-28 L=12	(2)	(2)	
11	423.15-01-10	前罩壳支柱	BELT COVER SUPPORT STUD	(2)	(2)	
12	423.15-01-11	垫圈	WASHER	(2)	(2)	

16. 附件部件

ACCESSORIES COMPONENTS



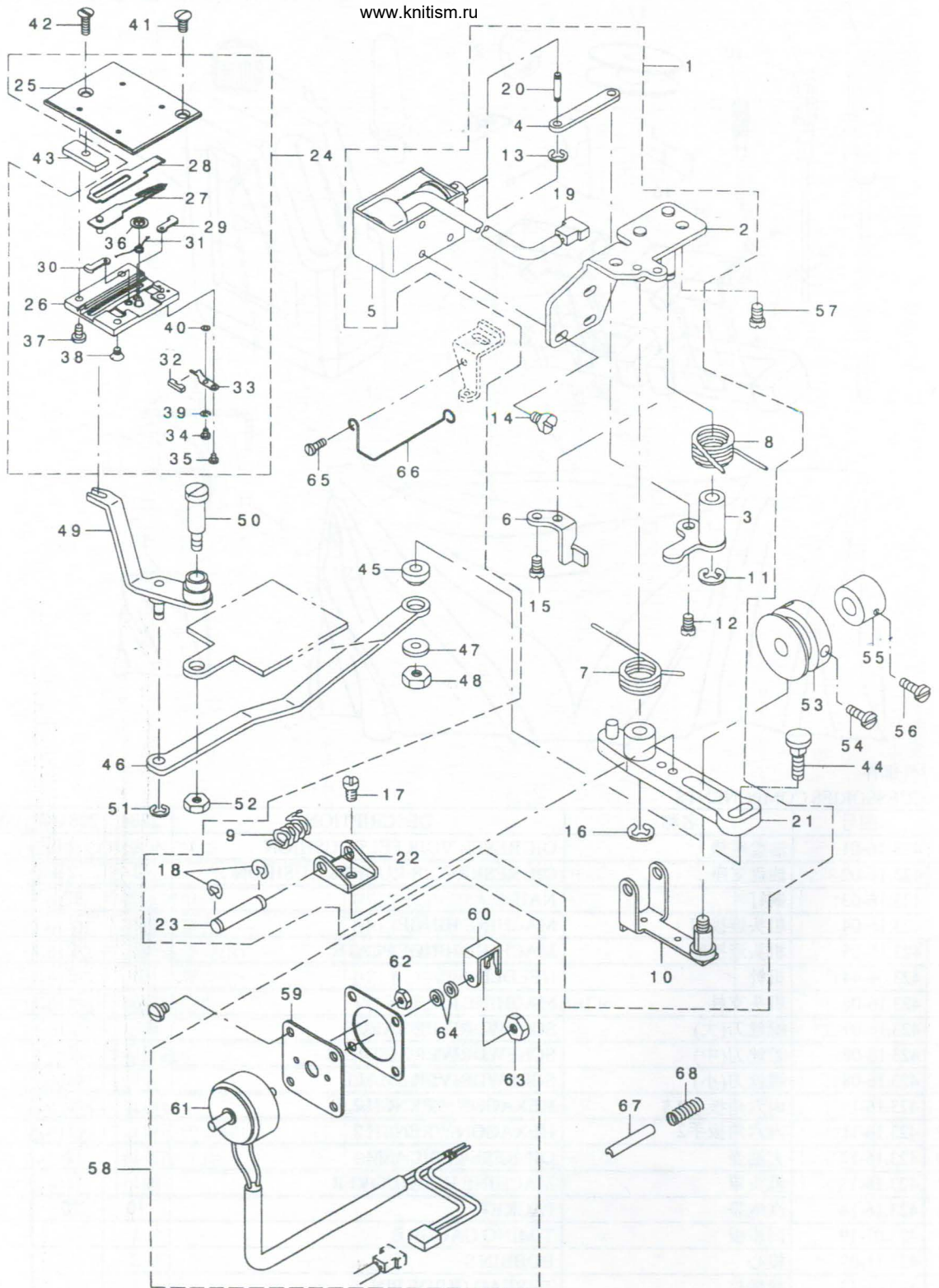
16. 附件部件

16. ACCESSORIES COMPONENTS

序号	图号	名称	DESCRIPTION	2284	2284-7	备注
1	423.16-01	油盘座垫	OIL RESER VOIR FELT CUSHION	2	2	
2	423.16-02	油盘支座	OIL RESRRVOIR RUBBER CUSHION	2	2	
3	423.16-03	铜钉	NAIL	12	12	
4	423.16-04	机头连接勾	MACHINE HINGE	2	2	
5	423.16-05	机头连接座	MACHINE HINGE PLATE	2	2	
6	423.04-44	机针	NEEDLE	3	3	
7	423.16-06	机头支柱	MACHINE REST IN	1	1	
8	423.16-07	螺丝刀(大)	SCREWDRIVER LARGE	1	1	
9	423.16-08	螺丝刀(中)	SCREWDRIVER MEDIUM	1	1	
10	423.16-08	螺丝刀(小)	SCREWDRIVER SMALL	1	1	
11	423.16-10	内六角扳手2.5	HEXAGON WRENCH 2.5	1	1	
12	423.16-11	内六角扳手2	HEXAGON WRENCH 2	1	1	
13	423.16-12	大油壶	OIL RESERVOIL ASM	1	1	
14	423.16-13	机头罩	MACHINE HEAD COVER	1	1	
15	423.16-14	汽泡袋	PACKET	10	10	
16	423.07-19	同步板	TIMING GAUGE E	1	1	
17	423.11-09	梭心	BOBBIN S	2	2	
18	423.01-13	导线柱	THREAD GUIDE PIN	1	1	

THREAD TRIMMER MECHANISM COMPONENTS

www.knitism.ru

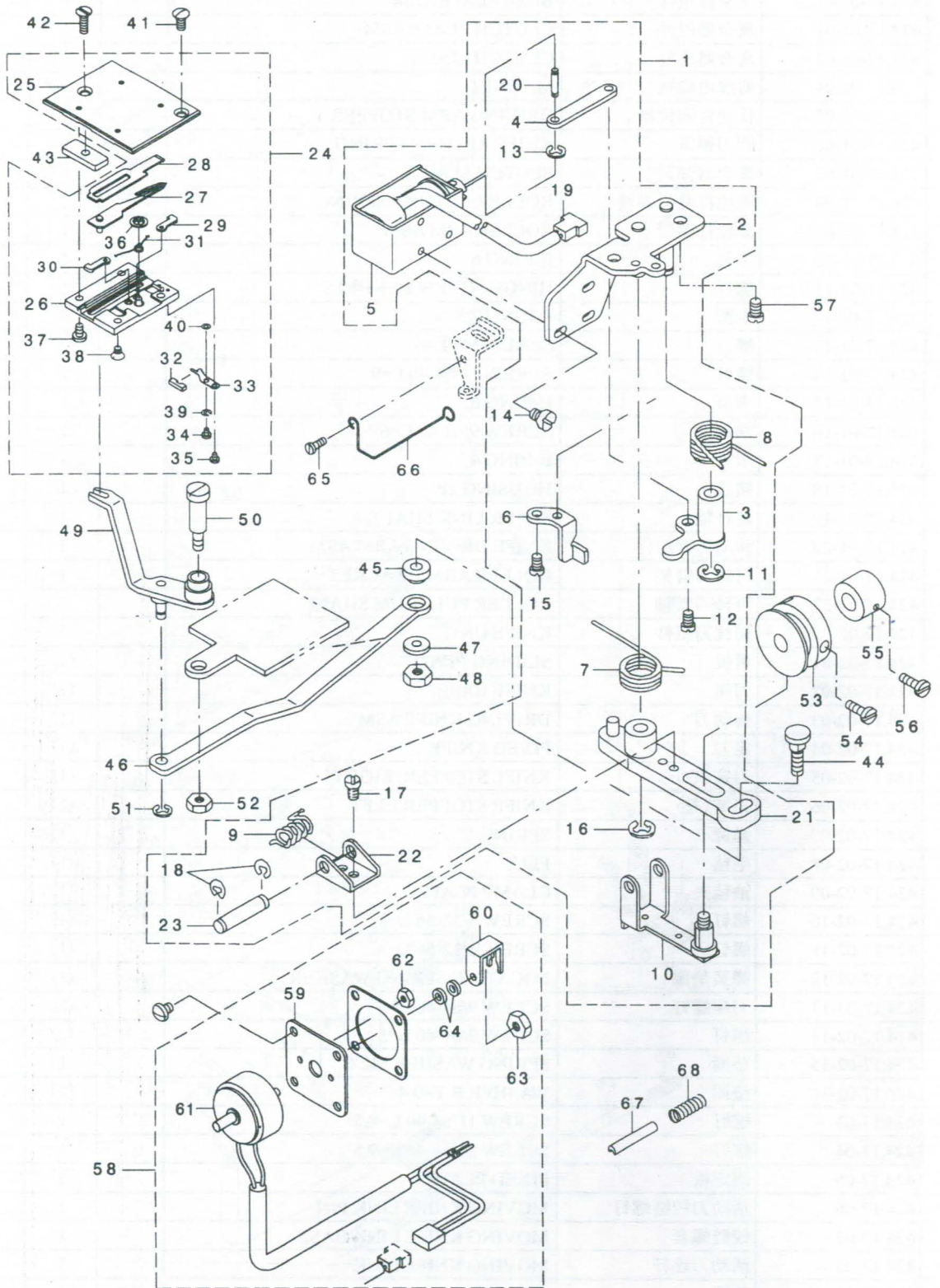


17、剪线电磁铁部件THREAD TRIMMER MECHANISM COMPONENTS

序号	图号	名称	DESCRIPTION	2284	2284-7	备注
1	424.17-01	剪线器传动组件	THREAD TRIMMER DRIVING UNIT		1	
2	424.17-01-01	支承盘组件	BASE PLATE ASM		1	
3	424.17-01-02	离合器组件	CLUTCH PLATE ASM		1	
4	424.17-01-03	离合器连杆	CLUTCH LINK		1	
5	424.17-01-04	剪线电磁铁	MAGNET		1	
6	424.17-01-05	传动臂限位器	DRIVING ARM STOPPER		1	
7	424.17-01-06	回刀弹簧	KNIFE RETURN SPRING		1	
8	424.17-01-07	离合器弹簧	SLUTCH SPRING		1	
9	424.17-01-08	滚轮柱复位弹簧	ROLLER RETURN SPRING		1	
10	424.17-01-09	滚轮柱摇臂	ROLLER ASM ASM		1	
11	424.17-01-10	卡簧	E-RING 6		1	
12	424.17-01-11	螺钉	HINGE SCKEW D=6 H=2.9		1	
13	424.17-01-12	卡簧	E-RING 2.5		2	
14	424.17-01-13	螺钉	SCREW M4 L=6		3	
15	424.17-01-14	螺钉	SCREW 11/64-40 L=9		2	
16	424.17-01-15	卡簧	E-RING 6		1	
17	424.17-01-16	螺钉	SCREW 9/64-40 L=6		1	
18	424.17-01-17	卡簧	E-RING 4		1	
19	424.17-01-18	接线头	HOUSING 2P		1	
20	424.17-01-19	连杆轴	WIPER LINK SHAFT, A		1	
21	424.17-01-20	传动刀臂组件	KNIFE DRIVING ARM ASM		1	
22	424.17-01-21	可转刀臂架	ROLLER ARM BRACKET		1	
23	424.17-01-22	可转刀臂轴	ROLLER FULCRUM SHAFT		1	
24	424.17-02	切线刀组件	KNIFE UNIT		1	
25	424.17-02-01	滑板	SLIDING PLATE		(1)	
26	424.17-02-02	刀座	KNIFE BASE		(1)	
27	424.17-02-03	传动刀	DRIVING KNIFE ASM		(1)	
28	424.17-02-04	定刀	FIXED KNIFE		(1)	
29	424.17-02-05	刀塞(右)	KNIFE STOPPER, RIGHT		(1)	
30	424.17-02-06	刀塞(左)	KNIFE STOPPER, LEFT		(1)	
31	424.17-02-07	弹簧	SPRING		(1)	
32	424.17-02-08	毛毡	FELT		(1)	
33	424.17-02-09	油毡夹	CLAMP PLATE		(1)	
34	424.17-02-10	螺钉	SCREW 3/32-56 L=3		(1)	
35	424.17-02-11	螺钉	SCREW 3/32-56 L=3		(1)	
36	424.17-02-12	弹簧垫圈	LOCATING SPRING WASHER		(1)	
37	424.17-02-13	刀座螺钉	SCREW 9/64-40 L=6		(2)	
38	424.17-02-14	螺钉	SCREW 9/64-40 L=5		(2)	
39	424.17-02-15	垫圈	SPRING WASHER M2.6		(1)	
40	424.17-02-16	垫圈	WASHER B T=0.4		(1)	
41	424.17-03	螺钉	SCREW 11/64-40 L=8.5		1	
42	424.17-04	螺钉	SCREW 11/64-40 L=9.5		1	
43	424.17-05	固定板	FIXED PLATE		1	
44	424.17-06	活动刀铰链螺钉	MOVING KNIFE LINK PIN		1	
45	424.17-07	铰链螺套	MOVING KNIFE LINK BASE		1	
46	424.17-08	活动刀连杆	MOVING KNIFE LINK		1	
47	424.17-09	垫圈	WASHER		1	

17、剪线电磁铁部件

THREAD TRIMMER MECHANISM COMPONENTS

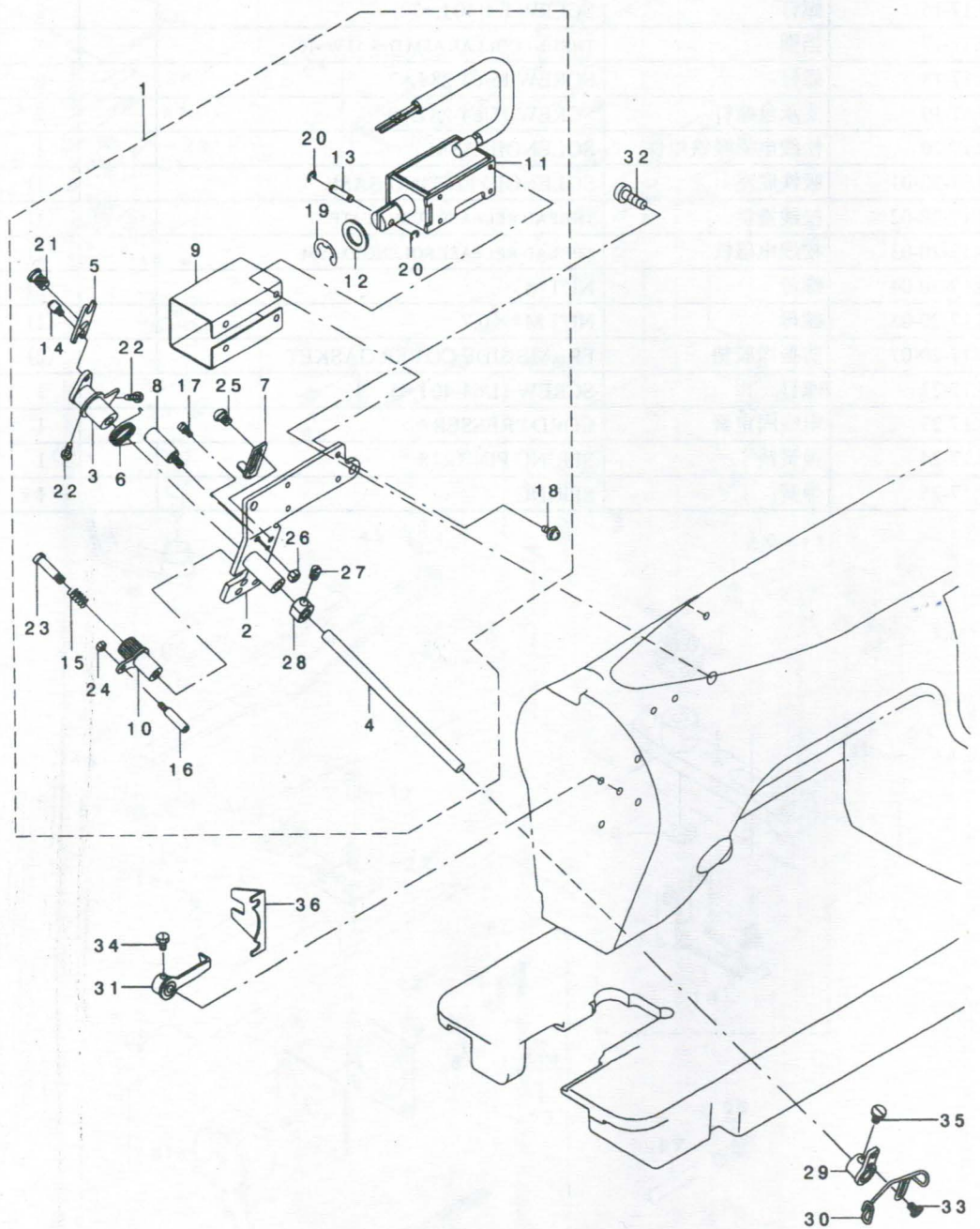


48	424.17-10	螺母	NUT 15/64-28	1	备注
49	424.17-11	叉形连杆	FORK KNIFE ASM	1	
50	424.17-12	铰链螺钉	HINGE SCREW D=7.94 H=15	1	
51	424.17-13	卡簧	E-RING	1	
52	424.17-14	螺母	NUT 15/64-28	1	
53	424.17-15	切线凸轮	THREAD CUTTING CAM B	1	
54	424.17-16	螺钉	SCREW 1/4-40 L=7	2	
55	424.17-17	挡圈	THRUST COLLAR ASM D=9.53 W=10	1	
56	424.17-18	螺钉	SCREW 15/64-28 L=7	2	
57	424.17-19	支承盘螺钉	SCREW 15/64-28 L=9	2	
58	424.17-20	松线电磁吸铁组件	SOLENOID ASM	1	
59	424.17-20-01	吸铁底座	SOLENOID FITTING BASE	(1)	
60	424.17-20-02	松线推盘	THREAD RELEASE PUSH PLATE	(1)	
61	424.17-20-03	松线电磁铁	THREAD RELEASE SOLENOID ASM	(1)	
62	424.17-20-04	螺母	NUT M3	(2)	
63	424.17-20-05	螺母	NUT M4×0.7	(1)	
64	424.17-20-07	防振橡胶垫	FRAME SIDE COVER GASKET	(2)	
65	424.17-22	螺钉	SCREW 11/64-40 L=5	1	
66	424.17-23	电线固定簧	CORD PRESSER	1	
67	424.17-24	弹簧销	SPRING PIN 3×18	1	
68	424.17-25	弹簧	SPRING	1	

18、挑线电磁铁部件

www.knitism.ru

UPPER THREAD FEEDER COMPONENTS

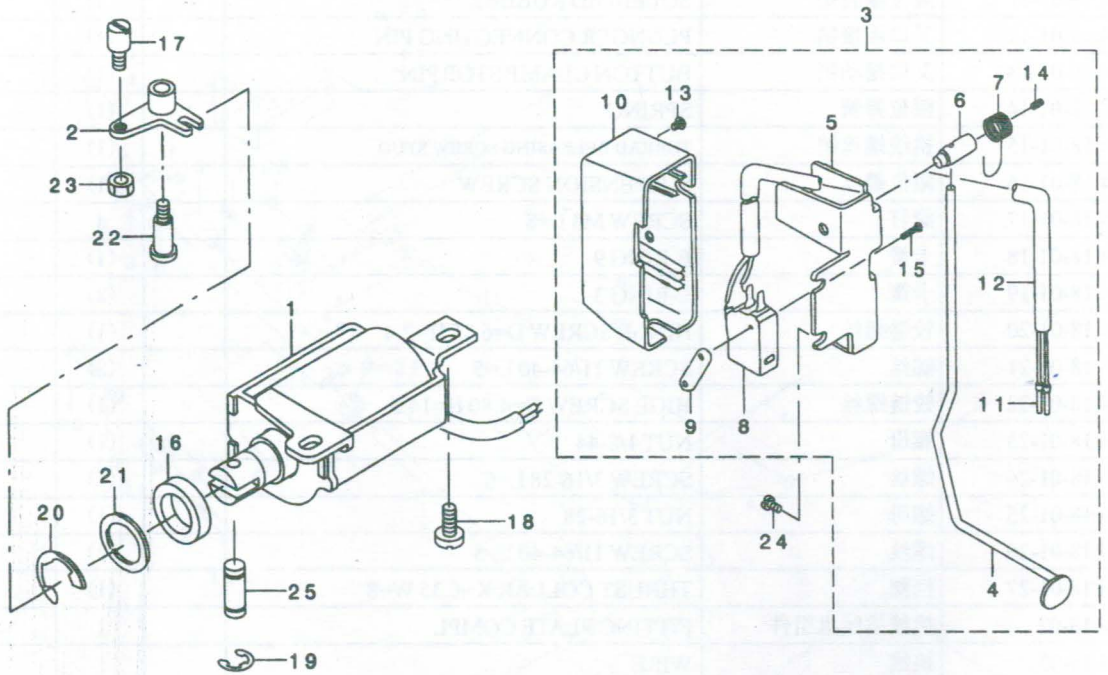


18、挑线电磁铁部件 UPPER THREAD FEEDER COMPONENTS

序号	图号	名称	DESCRIPTION	2284	2284-7	备注
1	424.18-01	挑线电磁铁组件	THREAD FEEDER ASM		1	
2	424.18-01-01	挑线底座组件	FITTING BASE COMPL		(1)	
3	424.18-01-02	挑线杠杆组件	FEED LEVER COMPL		(1)	
4	424.18-01-03	挑线杠杆轴	FEED LEVER SHAFT		(1)	
5	424.18-01-04	双叉口铰链	LINK		(1)	
6	424.18-01-05	挑线杠杆弹簧	FEED LEVER SPRING		(1)	
7	424.18-01-06	限位器	STOPPER		(1)	
8	424.18-01-07	销轴	SHAFT		(1)	
9	424.18-01-08	电磁铁盖	SOLENOID COVER		(1)	
10	424.18-01-09	限位板	PLATE		(1)	
11	424.18-01-10	电磁铁组件	SOLENOID COMPL		(1)	
12	424.18-01-11	限位橡胶垫	SOLENOID RUBBER		(1)	
13	424.18-01-12	叉口连接销	PLUNGER CONNECTING PIN		(1)	
14	424.18-01-13	叉口摆动销	BUTTON CLAMP STOP PIN		(1)	
15	424.18-01-14	限位弹簧	SPRING		(1)	
16	424.18-01-15	挑线螺丝销	THREAD RELEASING SCREW STUD		(1)	
17	424.18-01-16	限位螺丝	SUSPENSION SCREW		(1)	
18	424.18-01-17	螺钉	SCREW M3 L=8		4	
19	424.18-01-18	卡簧	E-RING 9		(1)	
20	424.18-01-19	卡簧	E-RING 3		(2)	
21	424.18-01-20	铰链螺丝	HINGE SCREW D=6.35 H=2.4		(1)	
22	424.18-01-21	螺丝	SCREW 11/64-40 L=5		(2)	
23	424.18-01-22	铰链螺丝	HIGE SCREW D=4.80 H=14.5		(1)	
24	424.18-01-23	螺母	NUT 1/8-44		(1)	
25	424.18-01-24	螺丝	SCREW 3/16-28 L=6		(1)	
26	424.18-01-25	螺母	NUT 3/16-28		(1)	
27	424.18-01-26	螺丝	SCREW 11/64-40 L=5		(2)	
28	424.18-01-27	挡圈	THRUST COLLAR K=6.35 W=8		(1)	
29	424.18-02	挑线挑线盘组件	FITTING PLATE COMPL		1	
30	424.18-03	挑线	WIRE		1	
31	424.18-04	限位器组件	STOPPER PLATE COMPL		1	
32	424.18-05	螺钉	SCREW 3/16-28 L=9		(2)	
33	424.18-06	螺钉	SCREW 9/64-40 L=5.0		2	
34	424.18-07	螺钉	SCREW 9/64-40 L=5.5		2	
35	424.18-08	螺钉	SCREW 9/64-40 L=5.5		2	
36	424.18-09	限位器导向板	STOPPER PLATE GUIDE		1	

19、倒缝电磁铁部件

AUTOMATIC REVERSE FEED MECHANISM COMPONENTS

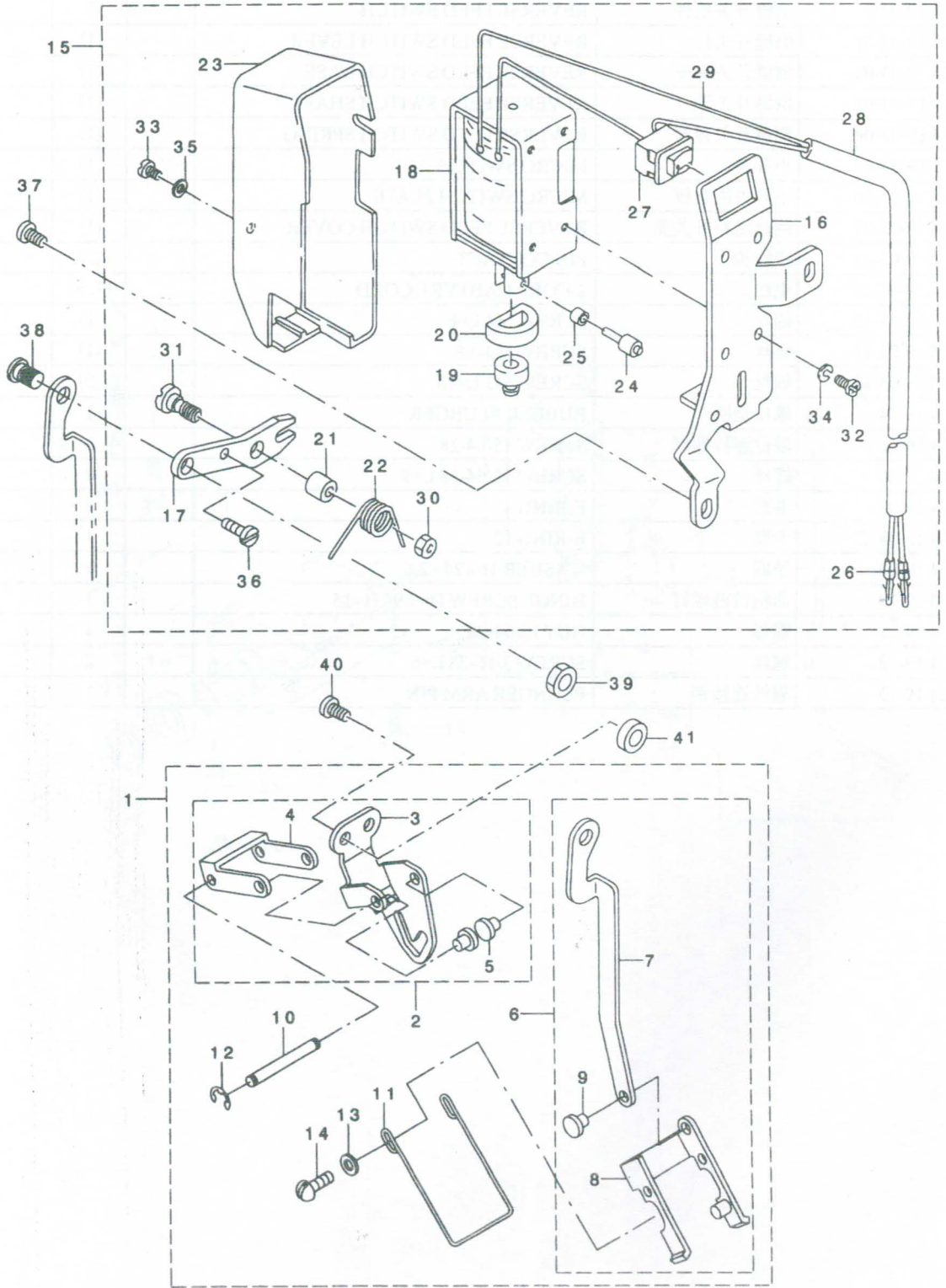


19、倒缝电磁铁部件 AUTOMATIC REVERSE FEED MECHANISM COMPONENTS

序号	图号	名称	DESCRIPTION	2284	2284-7	备注
1	424.19-01	倒缝电磁铁组件	MAGNET ASM		1	
2	424.19-02	倒缝电磁铁连接曲柄	REVERSE FEED MAGNET LINK		1	
3	424.19-03	倒缝开关组件	REVERSE FEED SWITCH		1	
4	424.19-03-01	倒缝开关杆	REVERSE FEED SWITCH LEVER		(1)	
5	424.19-03-02	倒缝开关底座	REVERSE FEED SWITCH BASE		(1)	
6	424.19-03-03	倒缝开关轴	REVERSE FEED SWITCH SHAFT		(1)	
7	424.19-03-04	倒缝开关弹簧	REVERSE FEED SWITCH SPRING		(1)	
8	424.19-03-05	小开关	MICRO SWITCH		(1)	
9	424.19-03-06	小开关固定板	MICRO SWITCH PLATE		(1)	
10	424.19-03-07	倒缝送料开关盖	REVERSE FEED SWITCH COVER		(1)	
11	424.19-03-08	接线头	PIN CONTACT		(2)	
12	424.19-03-09	电线	2-CORE CABTYRE CORD		(1.5)	
13	424.19-03-10	螺丝	SCREW M4 L=6		(1)	
14	424.19-03-11	螺丝	SCREW M4×8		(1)	
15	424.19-03-12	螺丝	SCREW M3 L=15		(2)	
16	424.19-04	橡皮垫圈	RUBBER PLUBGER		1	
17	424.19-05	限位连接螺钉	SCREW 15/64-28		1	
18	424.19-06	螺丝	SCREW 15/64-28 L=9		2	
19	424.19-07	卡簧	E-RING 4		2	
20	424.19-08	卡簧	E-RING 12		1	
21	424.19-09	垫圈	WASHER 16×24×2.6		1	
22	424.19-10	曲柄铰链螺钉	HINGE SCREW D=7.94 H=15		1	
23	424.19-11	螺母	NUT 15/64-28		1	
24	424.19-12	螺丝	SCREW 3/16-28 L=6		2	
25	424.19-13	磁铁连接销	PLUNGER ARM PIN		1	

20、扫线电磁铁部件

WIPER MECHANISM COMPONENTS

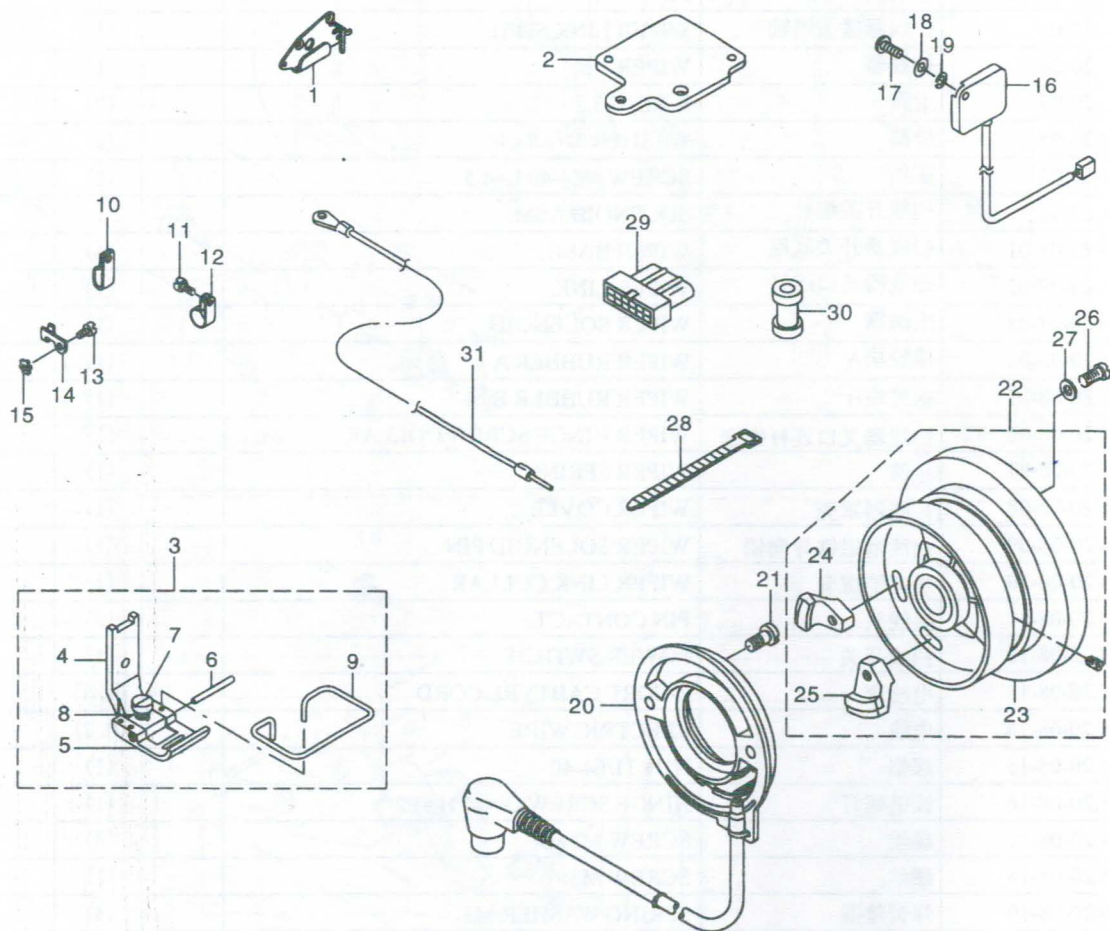


20、扫线电磁铁部件WIPER MECHANISM COMPONENTS

序号	图号	名称	DESCRIPTION	2284	2284-7	备注
1	424.20-01	扫线器组件	WIPER ASM		1	
2	424.20-01-01	扫线器底部组件	WIPER BASE ASM		(1)	
3	424.20-01-01-01	扫线器底座	WIPER BASE		(1)	
4	424.20-01-01-02	扫线器接头	WIPER LINK 1		(1)	
5	424.20-01-01-03	滑动销	PIN		(2)	
6	424.20-01-02	扫线器连杆组件	WIPER LINK COMPL		(1)	
7	424.20-01-02-01	扫线器连杆	WIPER LINK		(1)	
8	424.20-01-02-02	扫线架	WIPR LIND ASM 2		(1)	
9	424.20-01-02-03	滑动销	PIN		(1)	
10	424.20-03	扫线器接头销轴	WIPER LINK SHAFT		(1)	
11	424.20-04	扫线器	WIPER		(1)	
12	424.20-05	卡簧	E-RING 3.2		(2)	
13	424.20-06	垫圈	WASHER 3.7×8×1		(2)	
14	424.20-07	螺丝	SCREW 9/64-40 L=4.5		(2)	
15	424.20-08	扫线开关组件	SOLENOID ASM		1	
16	424.20-08-01	扫线器开关底座	WIPER BASE		(1)	
17	424.20-08-02	扫线器叉口连杆	WIPER LINK		(1)	
18	424.20-08-03	电磁铁	WIPER SOLENOID		(1)	
19	424.20-08-04	橡胶块A	WIPER RUBBER A		(1)	
20	424.20-08-05	橡胶块B	WIPER RUBBER B		(1)	
21	424.20-08-06	扫线器叉口连杆螺套	WIPER HINGE SCREW COLLAR		(1)	
22	424.20-08-07	扭簧	WIPER SPRING		(1)	
23	424.20-08-08	扫线器罩壳	WIPER COVER		(1)	
24	424.20-08-09	扫线器磁铁导向销	WIPER SOLENOID PIN		(1)	
25	424.20-08-10	导向销螺套	WIPER LINK COLLAR		(1)	
26	424.20-08-11	接线头	PIN CONTACT		(2)	
27	424.20-08-12	扫线开关	POWER SWITCH		(1)	
28	424.20-08-13	电线套	2-CORE CABTYRE CORD		(1.5)	
29	424.20-08-14	电线	ELECTRIC WIRE		(0.1)	
30	424.20-08-15	螺帽	NUT 11/64-40		(1)	
31	424.20-08-16	铰链螺钉	HINGE SCREW D=6.5 H=3.2		(1)	
32	424.20-08-17	螺丝	SCREW M3×6		(4)	
33	424.20-08-18	螺丝	SCREW M3×6		(1)	
34	424.20-08-19	弹簧垫圈	SPRING WASHER M3		(4)	
35	424.20-08-20	垫圈	WASHER M3		(1)	
36	424.20-08-21	螺丝	SCREW 11/64-40 L=9.5		(1)	
37	424.20-09	螺丝	SCREW 3/16-28 L=6		2	
38	424.20-10	连杆螺钉	HINGE SCREW D=6 H=2.7		1	
39	424.20-11	连杆螺帽	NUT 11/64-40		1	
40	424.20-12	螺丝	SCREW 11/64-40 L=9		2	
41	424.20-13	垫圈	WASHER		2	

21、专用部件

APPROPRIATION PARTS



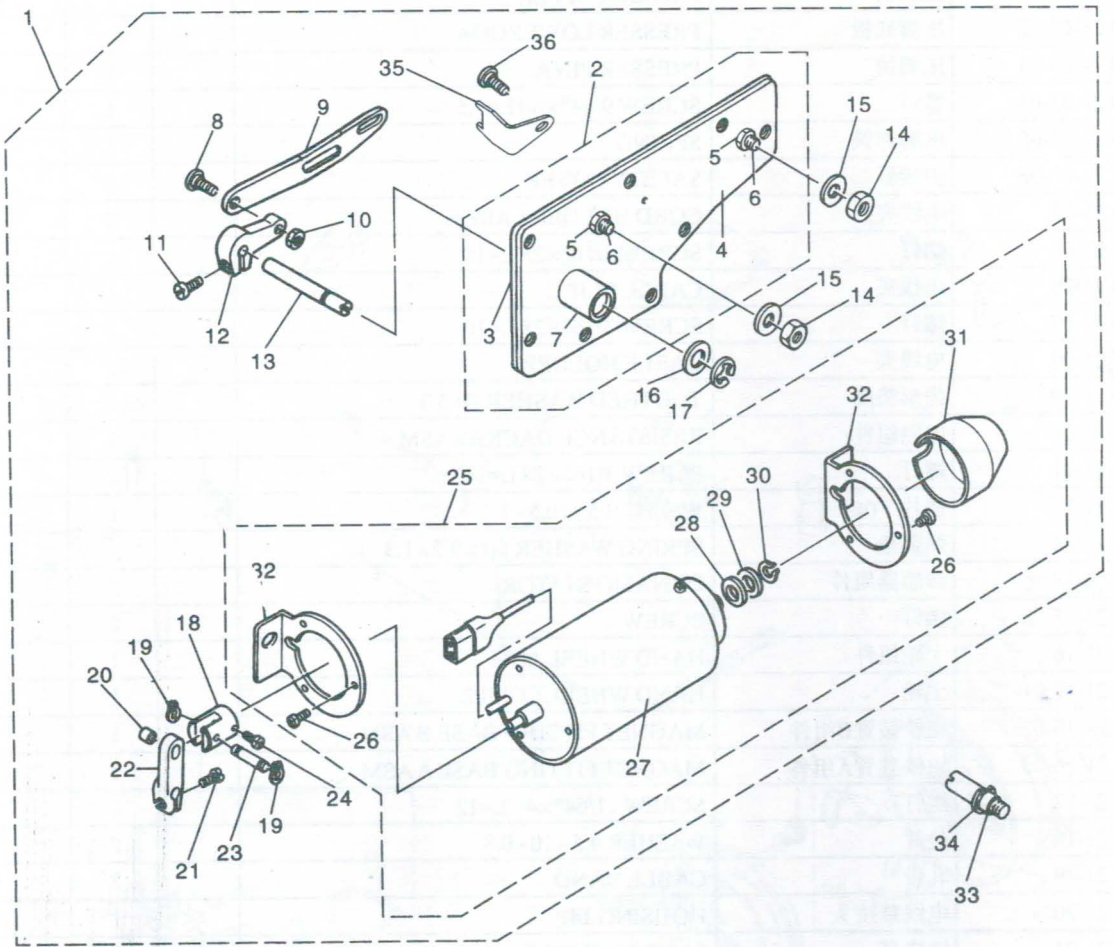
21、专用部件APPROPRIATION PARTS

www.knitism.ru

序号	图号	名称	DESCRIPTION	2284	2284-7	备注
1	424.21-01	导线板	BALANCDE THREAD GUIDE		1	
2	424.21-02	螺旋斜齿轮箱盖	HELICAL BEVEL GEAR BOX COVER		1	
3	424.21-03	压脚组件	PRESSER FOOT ASM		1	
4	424.21-03-01	压脚柄	PRESSER UPPER		1	
5	424.21-03-02	压脚底板	PRESSER LOWEROOA		1	
6	424.21-03-03	压脚销	PRESSER PIN A		1	
7	424.21-03-04	螺钉	SCREW 9/64"×40 L=7.5		1	
8	424.21-03-05	压脚弹簧	SPRING		1	
9	424.21-03-06	护指器	SAFETY COVER		1	
10	424.21-04	电线夹	CORD HOLDER LARGE		2	
11	424.21-05	螺钉	SCREW 3/16"×28 L=10		1	
12	424.21-06	电线夹	CABLE CLIPC		1	
13	424.21-07	螺钉	SCREW 3/16"×28 L=10		1	
14	424.21-08	电线夹	CABLE HOLDER		1	
15	424.21-09	齿形垫圈	TOOTHED WASHER D=5.3		1	
16	424.21-10	电阻组件	RESISTANCE DACKAS ASM		1	
17	424.21-11	螺钉	SCREW 3/16"×28 L=14		1	
18	424.21-12	垫片	WASHER 5×10.5×1		1	
19	424.21-13	弹簧垫	SPRING WASHER 5.1×9.2×1.3		1	
20	424.21-14	传感器组件	DYNAMO STATOR		1	
21	424.21-15	螺钉	SCREW		2	
22	424.21-16	上轮组件	HAND WHEEL ASM		1	
23	424.21-16-01	上轮	HAND WHEEL COMPL		1	
24	424.21-16-02	磁铁装置B组件	MAGNET FITTING BASE B ASM		1	
25	424.21-16-03	磁铁装置A组件	MAGNET FITTING BASE A ASM		1	
26	424.21-17	螺钉	SCREW 11/64"×40 L=12		2	
27	424.21-18	垫片	WASHER 4.5×10×0.8		2	
28	424.21-19	轧带	CABLE BAND		2	
29	424.21-20	电线总接头	HOUSING 14P		1	
30	424.21-21	橡皮套	RUBBER PLUG		2	
31	424.21-22	地线组件	GROUND WIRE ASM		1	

22、自动抬压脚装置(可供选择) www.knitism.ru

AUTO LIFTER (ON THE SIDE PLATE)



22、自动抬压脚装置 AUTOLIFTER (ON THE SIDE PLATE)

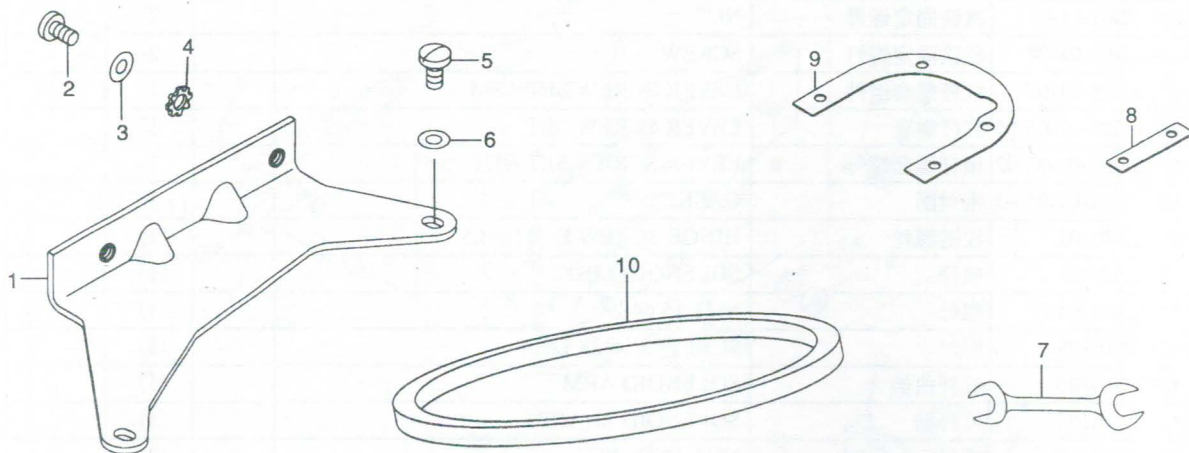
序号	图号	名称	DESCRIPTION	2284	2284-7	备注
1	424.22-01	抬压脚装置组件	DEVICE ASM		(1)	
2	424.22-01-01	后盖板组件A	SIDE PLATE ASM A		(1)	
3	424.22-01-01-01	后盖板	SIDE PLATE		1	
4	424.22-01-01-02	后盖板垫	GASKET		1	
5	424.22-01-01-03	磁铁固定螺母	NUT		2	
6	424.22-01-01-04	磁铁固定螺钉	SCREW		2	
7	424.22-01-01-05	杠杆螺套组件	LEVER SCREW SET ASM		1	
	424.22-01-01-05-01	杠杆螺套	LEVER SCREW SET		1	
	424.22-01-01-05-02	杠杆螺套螺母	LEVER SCREW SET NUT		1	
	424.22-01-01-05-03	密封圈	GASKET		1	
8	424.22-01-02	铰链螺丝	HINGE SCREW D=8 H=3.5		(1)	
9	424.22-01-03	杠杆	SOLENOID LINK		(1)	
10	424.22-01-04	螺母	NUT 15/64-28		(1)	
11	424.22-01-05	螺丝	SCREW 3/16-28 L=14		(1)	
12	424.22-01-06	杠杆曲柄	SOLENOID ARM		(1)	
13	424.22-01-07	杠杆轴	SOLENOID SHAFT		(1)	
14	424.22-01-08	螺母	NUT 15/64-28		(2)	
15	424.22-01-09	垫片	WASHER		(2)	
16	424.22-01-10	垫片	WASHER		(1)	
17	424.22-01-11	E型卡簧 7	E-RING 7		(1)	
18	424.22-01-12	轧头	SOLENOID COLLAR		(1)	
19	424.22-01-13	E型卡簧	RING		(2)	
20	424.22-01-14	衬套	SOLENOID PIN COLLAR		(1)	
21	424.22-01-15	螺丝	SCREW 3/16-28 L=12		(1)	
22	424.22-01-16	杠杆曲柄A	SOLENOID ARM A		(1)	
23	424.22-01-17	轧头销	SOLENOID PIN		(1)	
24	424.22-01-18	螺丝	SCREW 11/64-40 L=9		(1)	
25	424.22-01-19	磁铁组件	SOLENOID ASM A		(1)	
26	424.22-01-19-01	螺丝	SCREW 3/16-28 L=9		(6)	
27	424.22-01-19-02	电磁铁组件	WIPER SOLENOID		1	
28	424.22-01-19-03	磁铁橡胶垫	SOLENOID RUBBER A		(1)	
29	424.22-01-19-04	垫片	WASHER 10.5 × 18 × 2		(1)	
30	424.22-01-19-05	止动环	RETAINING RING		(1)	
31	424.22-01-19-06	磁铁罩	SOLENOID COVER		(1)	
32	424.22-01-19-07	电磁铁支承板	SOLENOID BASE		(2)	
33	424.22-01-20	轴销组件	SHAFT PIN ASM		1	
34	424.22-01-21	E型卡簧 5	E-RING		(1)	
35	424.22-01-22	限位板	PLATE OF POSITION		1	
36	424.22-01-23	限位板螺钉	SCREW		(1)	

说明：无自动抬压脚装置时仍然用423.01-18、423.01-19零件，并在附件中增加423.14-05操纵板组件一套。

23、附件部件

www.knitism.ru

ACCESSORIES COMPONENTS



23、附件部件ACCESSORIES COMPONENTS

序号	图号	名称	DESCRIPTION	2284	2284-7	备注
1	424.23-01	支架	BRACKET		1	
2	424.23-02	螺钉	SCREW 11/64-40 L=7.8		2	
3	424.23-03	垫片	WASHER 4.5 × 10 × 0.8		2	
4	424.23-04	齿形垫圈	TOOTHED WASHER D=5.3		2	
5	424.23-05	螺钉	SCREW 3/16-28 L=9		2	
6	424.23-06	垫片	WASHER		2	
7	424.23-07	5-6扳手	WASHER		1	
8	424.23-08	牙齿垫片	SPACER		1	
9	424.23-09	针板垫片	SPACER		1	
10	424.23-10	皮带	BELT		1	