



protex[®]

零件图册
PARTS BOOK

TY-600 SERIES

工业用盲缝机
INDUSTRIAL BLINDSTITCH
SEWING MACHINE

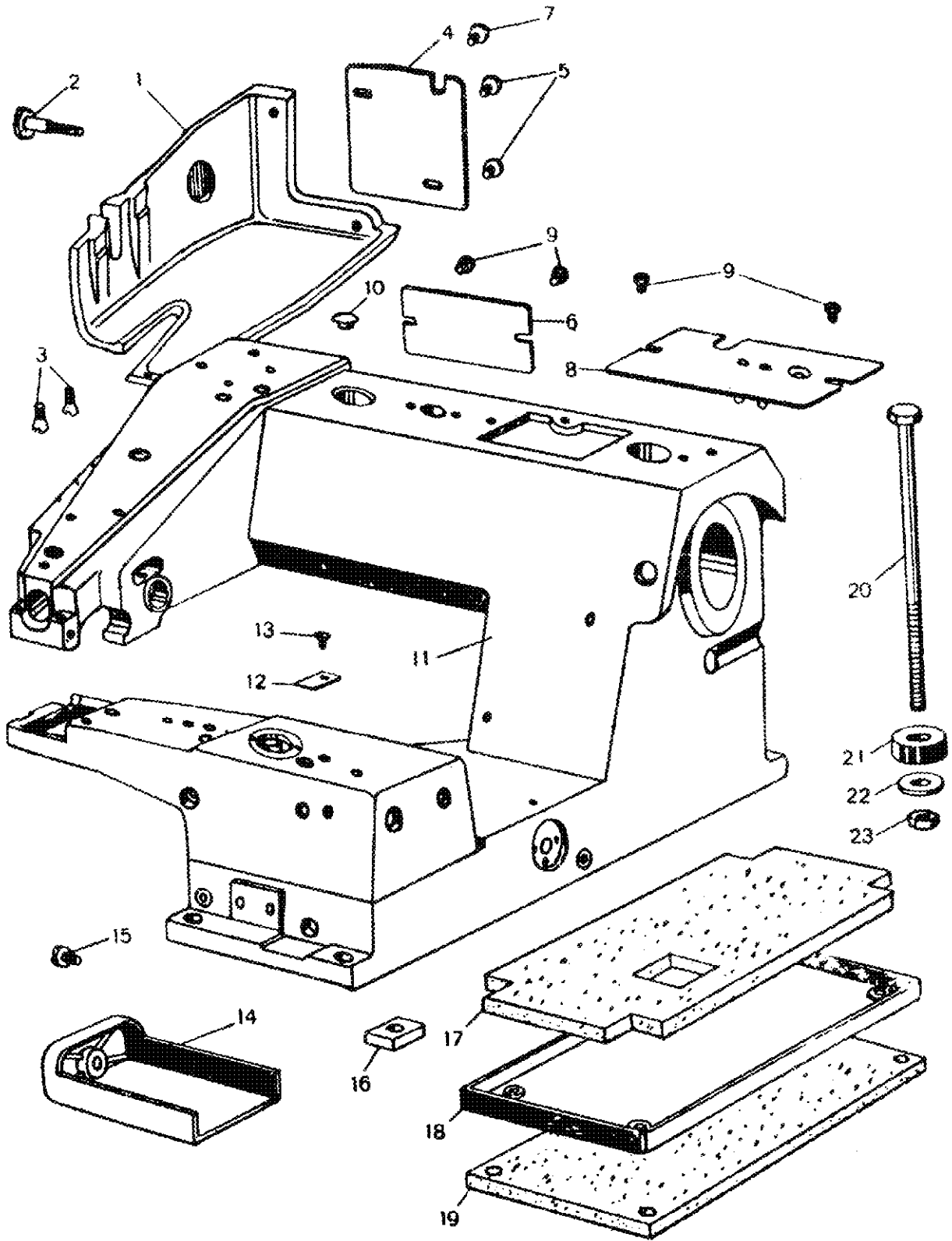


中国·通宇控股集团
TOYOU GROUP (HOLDING) CO.,LTD. CHINA
通宇缝纫机股份有限公司
TOYOU SEWING MACHINE CO.,LTD.

目 录

1、机壳和润滑组件 Machine casing and lubrication components.....	1~2
2、主轴组件 Main shaft components.....	3~4
3、送料牙和针轴组件 Feed dog and needle shaft components.....	5~6
4、勾线叉组件 Thread hook components.....	7~8
5、针板组件 Needle plate components.....	9~10
6、抬料轮和抬压脚组件 Ridge forming disc and lifting presser components.....	11~12
7、抬料轮传动及跳针组件 Disc oscillating and skip stitch components.....	13~14
8、膝提压脚及止动组件 Disc locking mechanism and kenn lifting presser shaft parts.....	15~16
9、夹线器及锁线组件 Thread tension and nipper parts components.....	17~18
10、托板组件 Work plate components.....	19~20

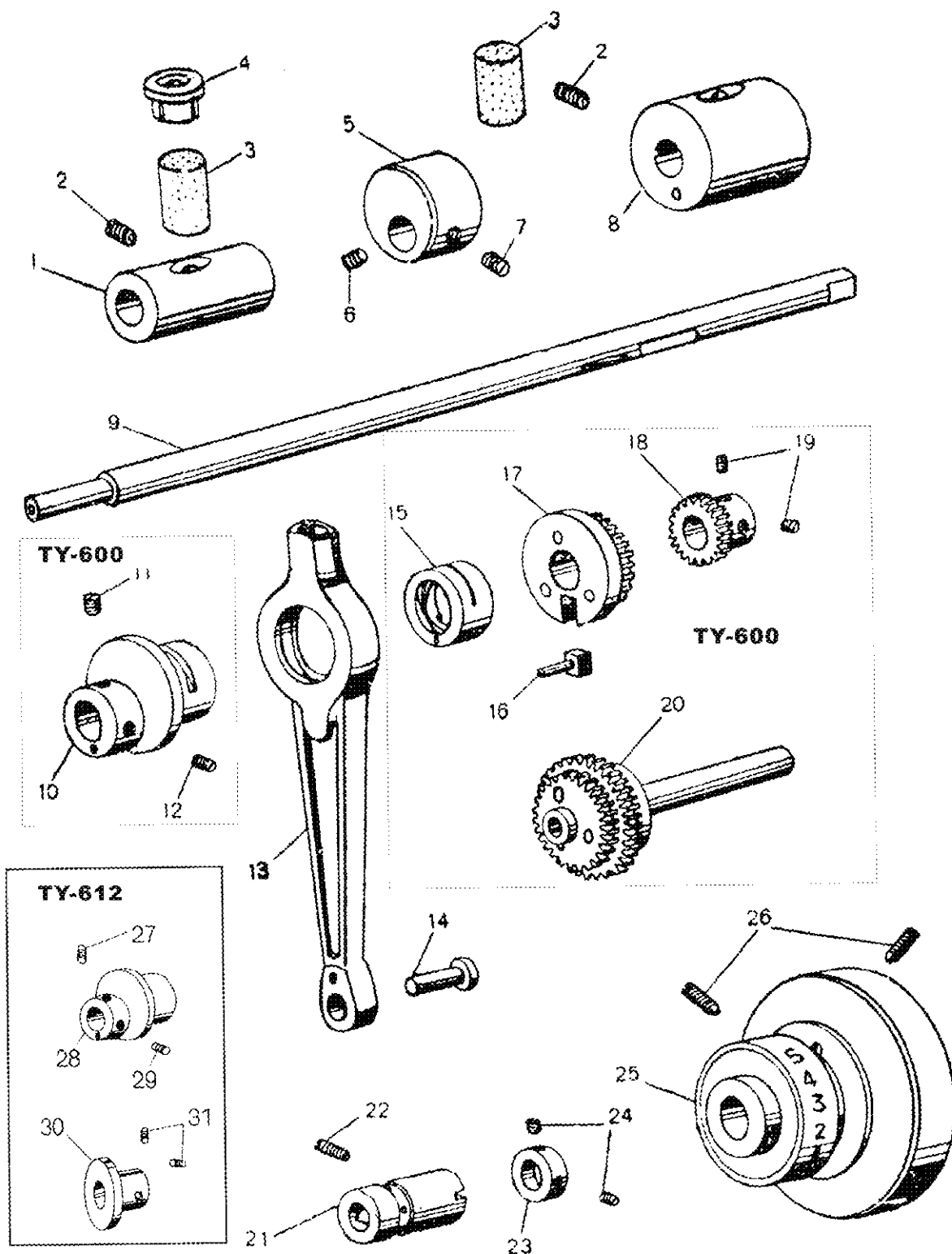
1. 机壳和润滑组件
Machine casing and lubrication components



1. 机壳和润滑组件
Machine casing and lubrication components

序号	件号	名称	数量
Ref.No.	Part.No.	Description	Amt.
1	GK1-2	上臂罩壳 - - - Upper arm cover - - - - -	1
2	GS1-2	上臂罩壳螺钉 - Upper arm cover screw - - - - -	1
3	GS7-2	圆锥螺钉 - - - Taper cone screw - - - - -	2
4	GK3-2	上臂后盖 - - - Upper arm rear cover - - - - -	1
5	S40	盖板螺钉 - - - Cover plate screw - - - - -	2
6	GK4-2	底座后盖板 - - Rear cover plate of base frame - - -	1
7	GS6-2	上臂后盖螺钉 - Upper arm rear cover screw - - - -	1
8	GK2-2	盖板 - - - - - Cover plate - - - - -	1
	GR3-2	紫铜管 - - - - Red copper tube - - - - -	2
9	S40	盖板螺钉 - - - Cover plate screw - - - - -	4
10	GR10-2	上臂橡胶塞 - - Upper arm rubber plug - - - - -	1
11	GQ1-2	底座 - - - - - Base frame - - - - -	1
12	GK6-2	油孔盖 - - - Oil-hone cover - - - - -	1
13	GS6-2	螺钉 - - - - - Screw - - - - -	1
14	GK5-2	下臂罩壳 - - Lower arm cover - - - - -	1
15	GS2-2	下臂罩壳螺钉 - Lower arm cover screw - - - - -	1
16	GR14-2	防震胶垫 - - - Shockproof rubber pad - - - - -	4
17	GR15-2	底盘防震垫 - - Shockproof pad of base pan - - - -	1
18	GR16-2	机壳底盘 - - Machine casing base pan - - - - -	1
19	GR17-2	机座防震垫 - - Machine casing shockproof pad - - -	1
20	GS103-2	小六角头螺栓 - Hexagon head bolt with small head	4
21	GR18-2	防松胶垫 - - Rubber pad - - - - -	4
22	GR201-2	平垫 - - - - - Washer - - - - -	4
23	GL101-2	螺母 - - - - - Nut - - - - -	4

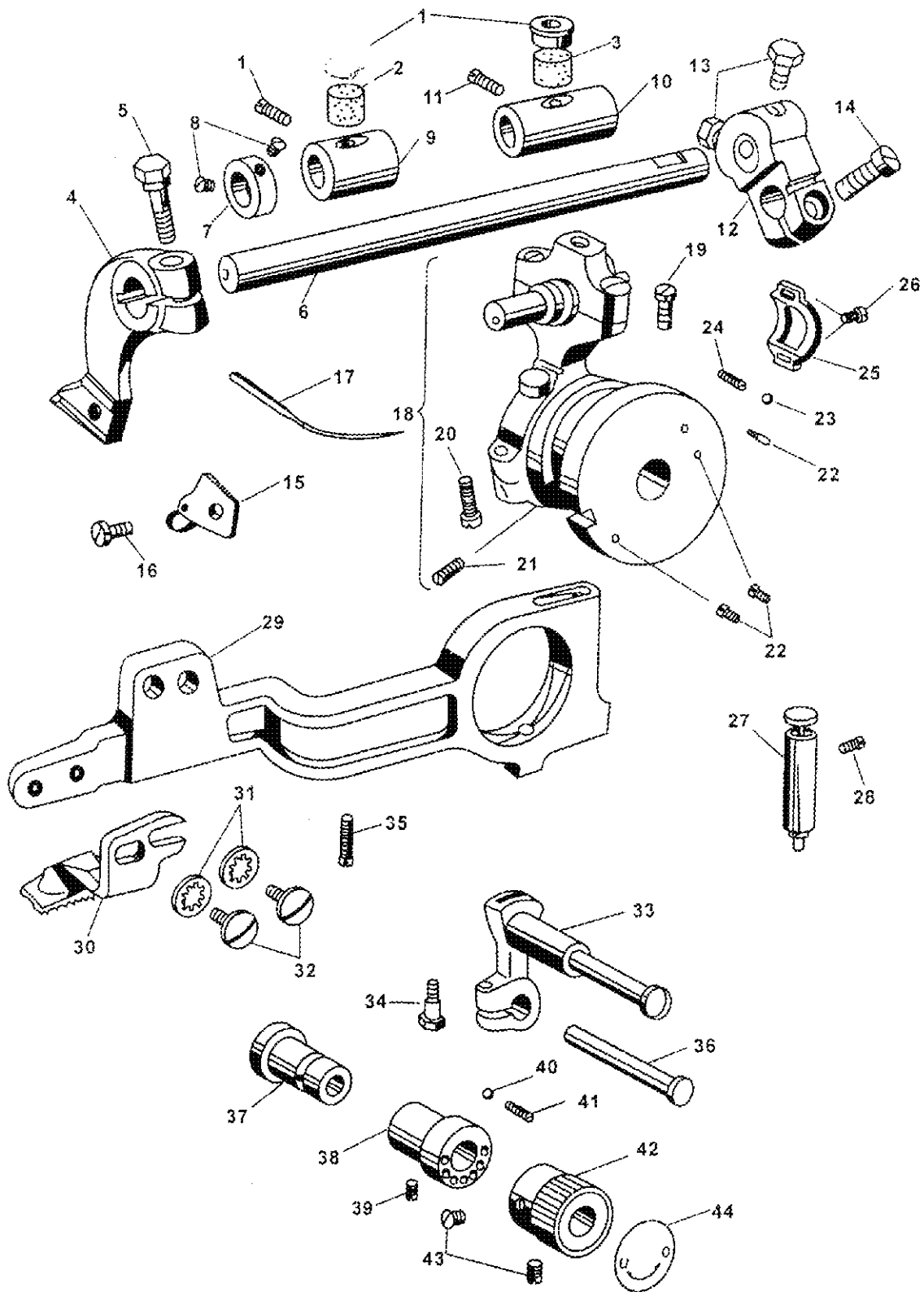
2、主軸組件
Main shaft components



2、主轴组件
Main shaft components

序号 Ref.No.	件号 Part.No.	名称 Description	数量 Aml.
1	GO1-2	主轴左轴套 - - - - Main shaft bushing(left) - - - -	1
2	GS37	紧定螺钉 - - - - Set screw - - - -	2
3	GR4-2	主轴油毡 - - - - Mainshaft oil flet - - - -	2
4	GR1-2	主轴油塞 - - - - Main shaft oil plug - - - -	1
5	GO3-2	平衡套 - - - - Balance sleeve - - - -	1
6	GS8-2	锥端紧定螺钉 - - Set screw with come point - - -	1
7	GS9-2	紧定螺钉 - - - - Set screw - - - -	1
8	GO7-2	主轴右轴套 - - - - Main shaft bushing(right) - - - -	1
9	GZ2-2	主轴 - - - - Main shaft - - - -	1
10	GO4-2	偏心轴套 - - - - Eccentric bushing - - - -	1
11	GS50	紧定螺钉 - - - - Set screw - - - -	1
12	GS50	紧定螺钉 - - - - Set screw - - - -	1
13	GH1-2	连杆 - - - - Connecting rod - - - -	1
14	GX3-2	连杆销 - - - - Connecting rod pin - - - -	1
15	GO5-2	偏心衬套 - - - - Eccentric sleeve - - - -	1
16	GX2-2	滑销 - - - - Slide pin - - - -	1
17	GO6-2	主轴大齿轮衬套 - - Main shaft large gear sleeve - - -	1
	GCI-2	主轴大齿轮 - - - - Main shaft large gear - - - -	1
	GX102-2	主轴大齿轮铆钉 - - Main shaft large gear rivet - - -	3
18	GC2-2	主轴小齿轮 - - - - Main shaft pinion gear - - - -	1
19	GS43	紧定螺钉 - - - - Set screw - - - -	2
20	GC4-2	惰性小齿轮 - - - - Idler pinion gear - - - -	1
	GC3-2	惰性大齿轮 - - - - Idler gear(large) - - - -	1
	GO10-2	惰性齿轮衬套 - - - - Idler gear sleeve - - - -	1
	GZ3-2	惰性齿轮轴 - - - - Idler gear shaft - - - -	1
	GX103-2	惰性齿轮铆钉 - - - - Idler gear rivet - - - -	3
21	GO9-2	惰性齿轮偏心轴套 - Idler gear eccentric bushing - - -	1
22	GS37	紧定螺钉 - - - - Set screw - - - -	1
23	GO8-2	挡圈 - - - - Retainer ring - - - -	1
24	GS43	紧定螺钉 - - - - Set screw - - - -	2
25	GP1-2	手轮 - - - - Handwheel - - - -	1
26	GS37	紧定螺钉 - - - - Set screw - - - -	2
27	GS50	紧定螺钉 - - - - Set screw - - - -	1
28	GO4	偏心轴套 - - - - Eccentric bushing - - - -	1
29	GS50	紧定螺钉 - - - - Set screw - - - -	1
30		挡圈 - - - - Retainer ring - - - -	1
31	GS43	紧定螺钉 - - - - Set screw - - - -	2

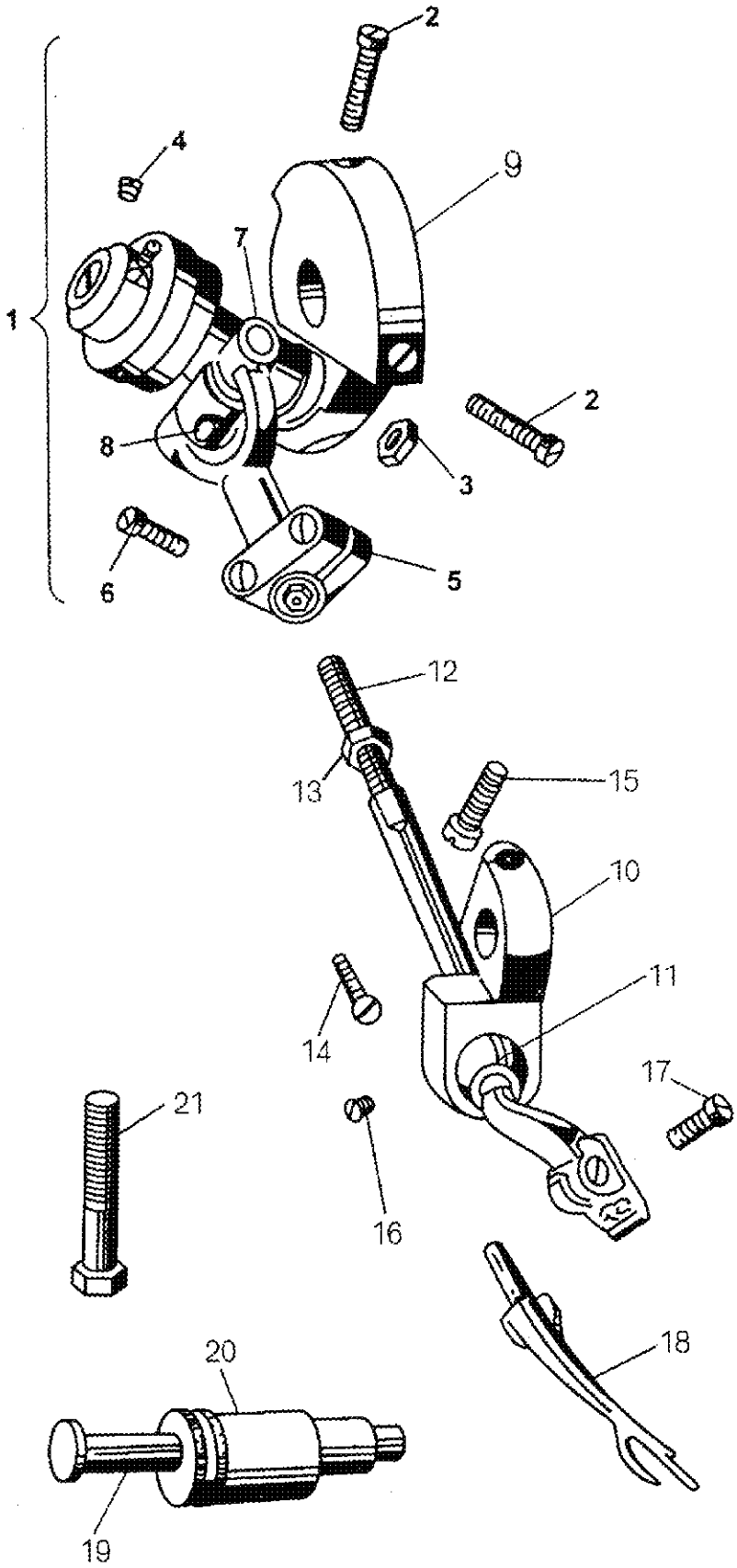
3. 送料牙和针轴组件
Feed dog and needle shaft components



3、送料牙和针轴组件 Feed dog and needle shaft components

序号 Ref.No.	件号 Part.No.	名称 Description	数量 Amt.
1	GR164	针轴油杯	2
2	GR11-2	针轴油毡	1
3	GR11-2	针轴油毡	1
4	GR30-2	针夹	1
5	GS15-2	锁紧螺钉	1
6	GZ6-2	针轴	1
7	GO19-2	针轴挡圈	1
8	GS43	紧定螺钉	2
9	GO18-2	针轴前轴套	1
10	GO17-2	针轴后轴套	1
11	GS8	轴套紧定螺钉	2
12	GH4-2	针轴曲柄	1
13	GS61	曲柄固定螺钉	1
14	GS55	锁紧螺钉	1
15	GR31-2	针夹板	1
	GR32-2	过线环	1
16	GS16-2	火针螺钉	1
17	GVI-2	机针	1
18	GR29-2	偏心球轴销	1
	GR25-2	连杆上盖	1
	GR26-2	连杆体	1
	GR27-2	连杆下盖	1
	GO15-2	球偏心套	1
	GO14-2	送料偏心滑套	1
	GO13-2	线迹长度调节偏心套	1
19	GS14-2	螺钉	2
20	GS55	螺钉	2
21	GS13-2	内六角锥端紧定螺钉	1
22	GS12-2	限位螺钉	2
23	GR21-2	钢球	1
24	GW3-2	弹簧	1
25	GR28-2	偏心球轴销护罩	1
26	GS44	螺钉	2
27	GO16-2	线迹长度调节插套	1
	GWS-2	插销弹簧	1
	GX4-2	线迹长度调节插销	1
	GR24-2	线迹长度调节按钮	1
28	GS45	插套紧定螺钉	1
29	GH2-2	送料杆	1
30	GM1-2	送料牙	1
31	GR202-2	内齿弹性垫圈	2
32	GS10-2	螺钉	2
33	GH3-2	送料摆杆	1
	GZ5-2	摆杆销轴	1
34	GS37	锁紧螺钉	1
35	GS11-2	内六角凹端紧定螺钉	1
36	GZ4-2	销轴	1
37	GO12-2	偏心衬套	1
38	GO11-2	轴套	1
39	GS45	紧定螺钉	2
40	GR21-2	钢球	1
41	GW2-2	弹簧	1
42	GR20-2	送料牙高度调节旋钮	1
43	GS58	紧定螺钉	2
44	GR19-2	送料牙高度调节指示片	1

4. 勾线叉组件
Thread hook components

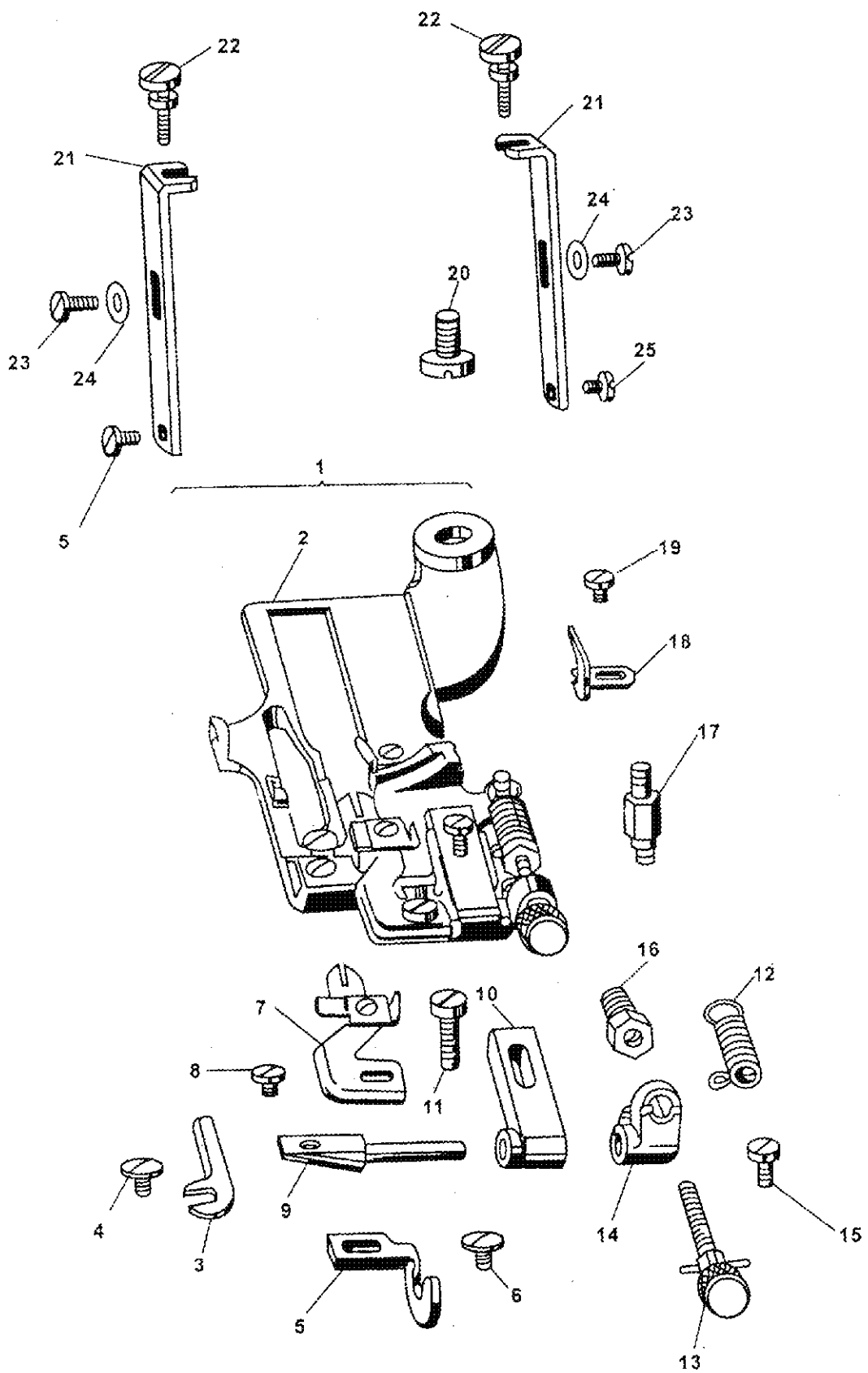


4、钩线叉组件

Thread hook components

序号	件号	名称	数量
Ref.No.	Part.No.	Description	Amt.
1	GO20-2	驱动轴定位环 - - - Positioning ring of driving shaft - - -	1
	GZ7-2	钩线叉驱动轴 - - - Driving shaft of thread hook - - -	1
	GR33-2	油毛毡 - - - - - Oil felt - - - - -	1
	GR34-2	油毡盖 - - - - - Oil felt cover - - - - -	1
	GR35-2	万向接头(后) - - Universal joint(rear) - - - - -	1
2	GS19	曲柄柱头螺钉 - - - Crank cheese head screw - - -	2
3	L3	驱动轴螺母 - - - - Driving shaft nut - - - - -	1
4	GS43	柱头螺钉 - - - - - Cheese head screw - - - - -	2
5	GR36-2	万向接头(前) - - Uiversal joint(front) - - - - -	1
6	GS20-2	螺钉 - - - - - Screw - - - - -	2
7	GX5-2	万向接头销 - - - - Universal joint pin - - - - -	1
8	GS18-2	螺钉 - - - - - Screw - - - - -	1
9	GH5-2	钩线叉曲柄 - - - - Thread hook ccank - - - - -	1
10	GR39-2	摆臂 - - - - - Swing arm - - - - -	1
11	GR37-2	球体组件 - - - - - Ball element - - - - -	1
12	GZ8-2	钩线叉杆 - - - - - Thread hook lever - - - - -	1
13	GL1-2	钩线叉杆螺母 - - - Thread hook lever nut - - - - -	1
14	GS22-2	摆臂螺钉 - - - - - Swing arm screw - - - - -	2
15	GS21-2	摆臂紧固螺钉 - - - Swing arm clamp screw - - - - -	1
16	GS25-2	球体紧固螺钉 - - - Ball set screw - - - - -	1
17	GS23-2	钩线叉紧固螺钉 - - Thread hook clamp screw - - - - -	1
18	GN1-2	钩线叉 - - - - - Set screw - - - - -	1
19	GZ9-2	摆臂轴 - - - - - Swing arm shaft - - - - -	1
20	GO21-2	偏心支承套 - - - - Eccentric supporting sleeve - - - - -	1
21	GS17-2	紧固螺栓 - - - - - Clamp bolt - - - - -	1

5. 针板组件
Needle plate components

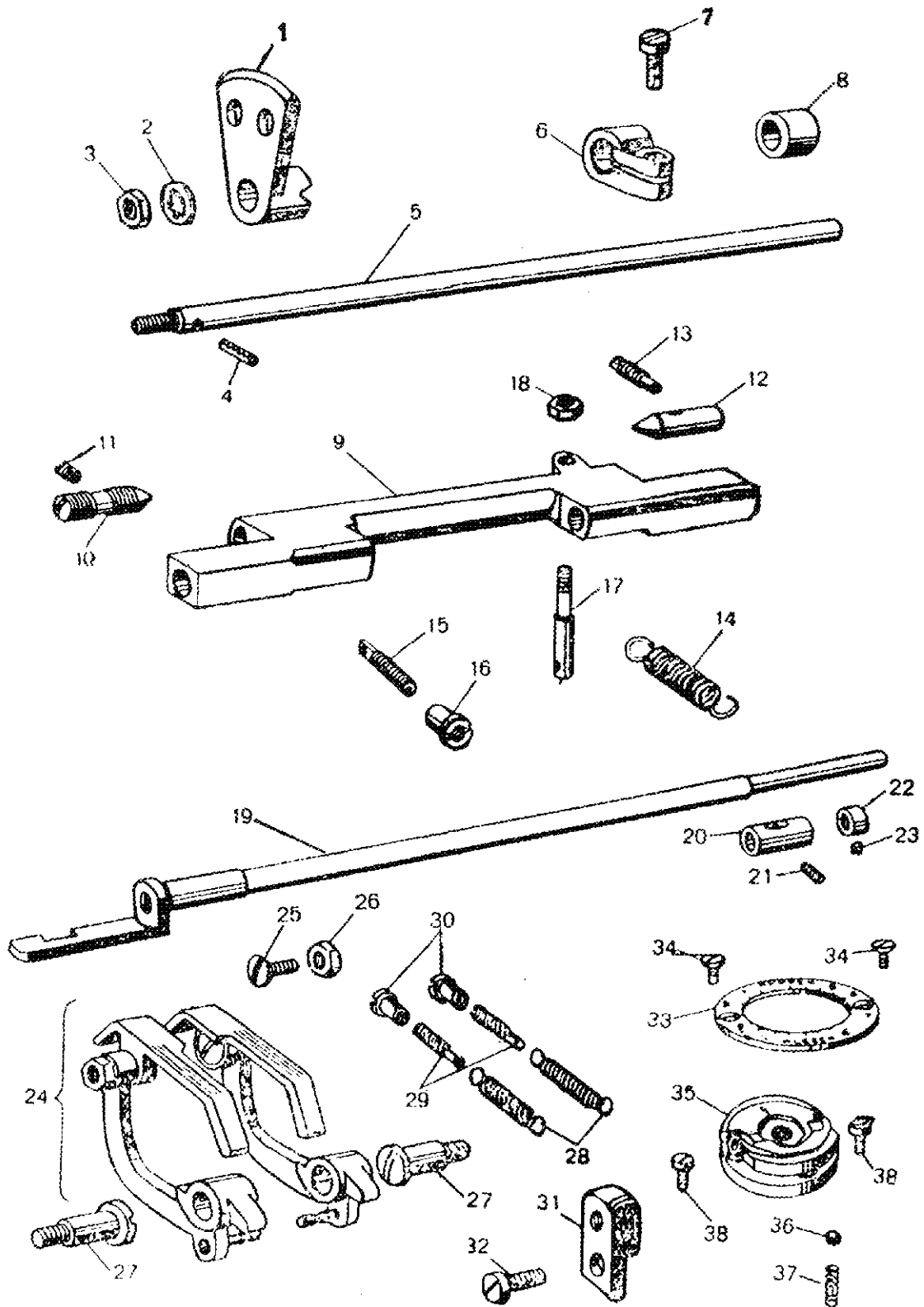


5、针板组件

Needle plate components

序号	件号	名称	数量
Ref.No.	Part.No.	Description	Amt.
1		针板组件 - - - - - Needle plate component - - - - -	1
2	GM2-2	针板 - - - - - Needle plate - - - - -	1
3	GR46-2	机针护板 - - - - - Needle guard - - - - -	1
4	S16	机针护板螺钉 - - - Needle guard screw - - - - -	1
5	GR47-2	导料板 - - - - - Material guid plate - - - - -	1
6	GR34-2	导料板螺钉 - - - - Material guide plate screw - - - -	1
7	GR43-2	压料板 - - - - - Material retainer - - - - -	1
8	GS31-2	压料板螺钉 - - - - Material retainer screw - - - -	1
9	GZ10-2	架轴 - - - - - Frame shaft - - - - -	1
10	GR42-2	托架 - - - - - Bracket - - - - -	1
11	S40	镀铬螺钉 - - - - - Chromium-plating screw - - - -	1
12	GW6-2	压料拉簧 - - - - - Material retainer extension spring	1
13	GS28-2	调节螺钉 - - - - - Adjusting screw - - - - -	1
	GX6-2	销 - - - - - Pin - - - - -	1
14	GR48-2	支承架 - - - - - Supporting frame - - - - -	1
15	S40	镀铬螺钉 - - - - - Chromium-plating screw - - - -	1
16	GL2-2	调节螺母 - - - - - Adjusting nut - - - - -	1
17	GR45-2	拉簧柱 - - - - - Extension spring pillar - - - -	1
18	GR44-2	挡线板 - - - - - Retaining block - - - - -	1
19	GS33-2	挡线板螺钉 - - - - Retaining block screw - - - -	1
20	GS27-2	针板固定大螺钉 - - Needle plate clamping screw(large)	1
21	GR40-2	针板支架 - - - - - Needle pate support - - - - -	2
22	GS26-2	支架调节螺钉 - - - Support regulating screw - - - -	2
23	GS29-2	支架固定螺钉 - - - Support clamping screw - - - -	2
24	GR203-2	平垫 - - - - - Washer - - - - -	2
25	GS30-2	针板固定螺钉 - - - Needle plate clamping screw - - -	2

6. 抬料轮和抬压脚组件
Ridge forming disc and lifting presser components

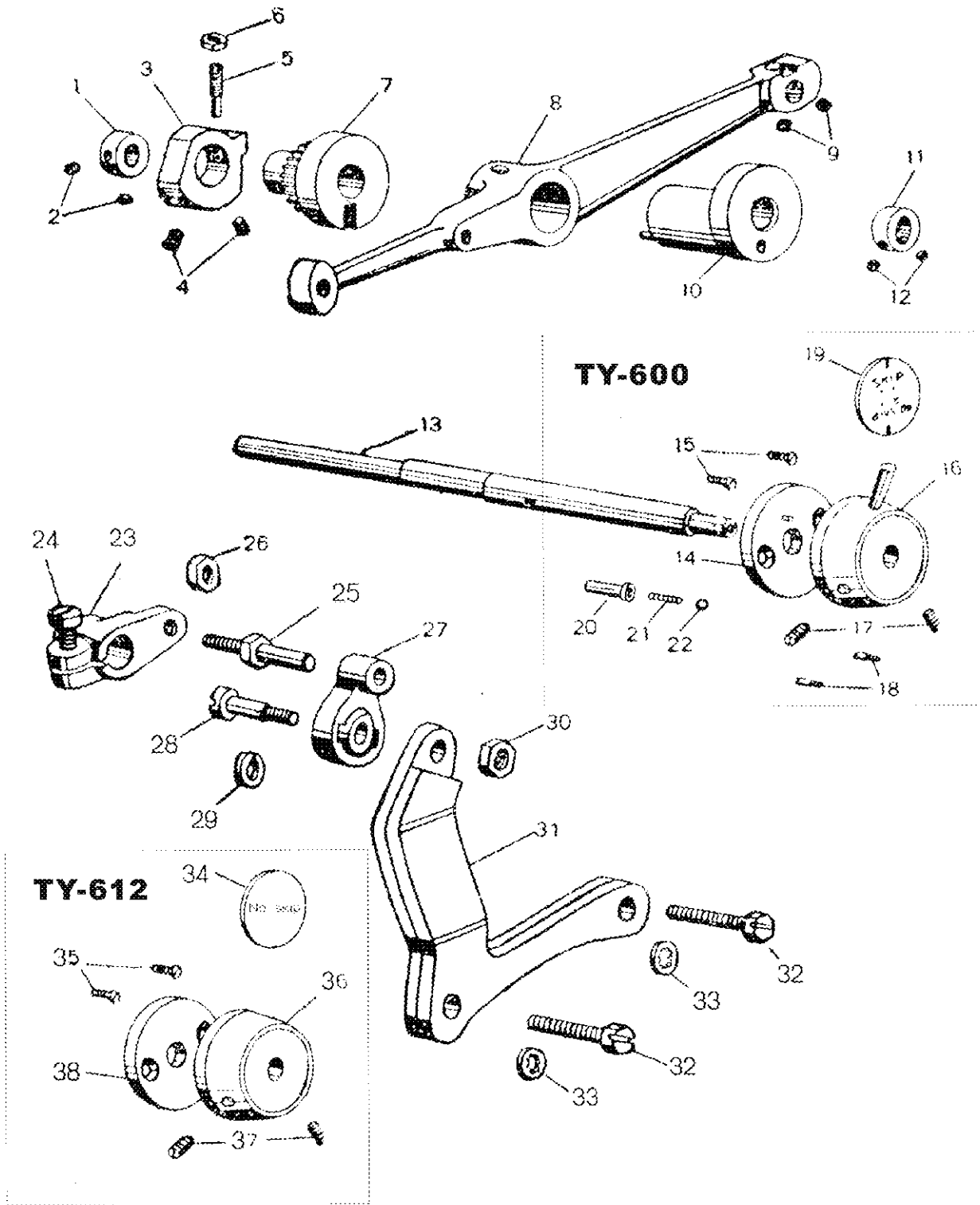


6、抬料轮和抬压脚组件

Ridge forming disc and lifting presser components

序号 Ref.No.	件号 Part.No.	名称 Description	数量 Amt.
1	GR49-2	抬料轮	1
2	GR204-2	内齿弹性垫圈	1
3	GL3-2	六角螺母	1
4	GX106-2	弹性圆柱销	1
5	GZ11-2	抬料轴	1
6	GR53-2	卡圈	1
7	GS037	锁紧螺钉	1
8	GO22-2	垫圈	1
9	GR52-2	抬料调节杆	1
10	GS35-2	顶尖螺钉	1
11	GS48	紧定螺钉	1
12	GR54-2	小顶尖	1
13	S3	圆柱端紧定螺钉	1
14	GW7-2	弹簧	1
15	GS36-2	弹簧吊挂螺钉	1
16	GL5-2	弹簧调节螺母	1
17	GX7-2	弹簧挂销	1
18	GL4-2	六角螺母	1
19	GZ12-2	抬压脚轴	1
20	GO24-2	轴套	1
21	GS48	紧定螺钉	2
22	GO23-2	挡圈	2
23	GS43	紧定螺钉	1
24	GM3-2	压脚板(左)	1
	GM4-2	压脚板(右)	1
	GR59-2	抬压脚杠杆(左)	1
	GR60-2	抬料脚杠杆(右)	1
	GX9-2	小弹簧挂销	2
25	GS45-2	圆锥螺钉	2
26	GL8-2	六角螺母	2
27	GS43-2	轴位螺钉	2
28	GW9-2	小弹簧	2
29	GS44-2	小弹簧吊挂螺钉	2
30	GL7-2	小弹簧调节螺母	2
31	GR61-2	支板	2
32	GS030	圆柱头螺钉	1
33	GR55-2	指示圈	1
34	GS38-2	沉头螺钉	1
35	GR58-2	旋钮	2
36	GR21-2	钢球	1
37	GW8-2	弹簧	1
38	GS66	圆柱头螺钉	2

7. 抬料轮传动及跳针组件
Disc oscillating and skip stitch components



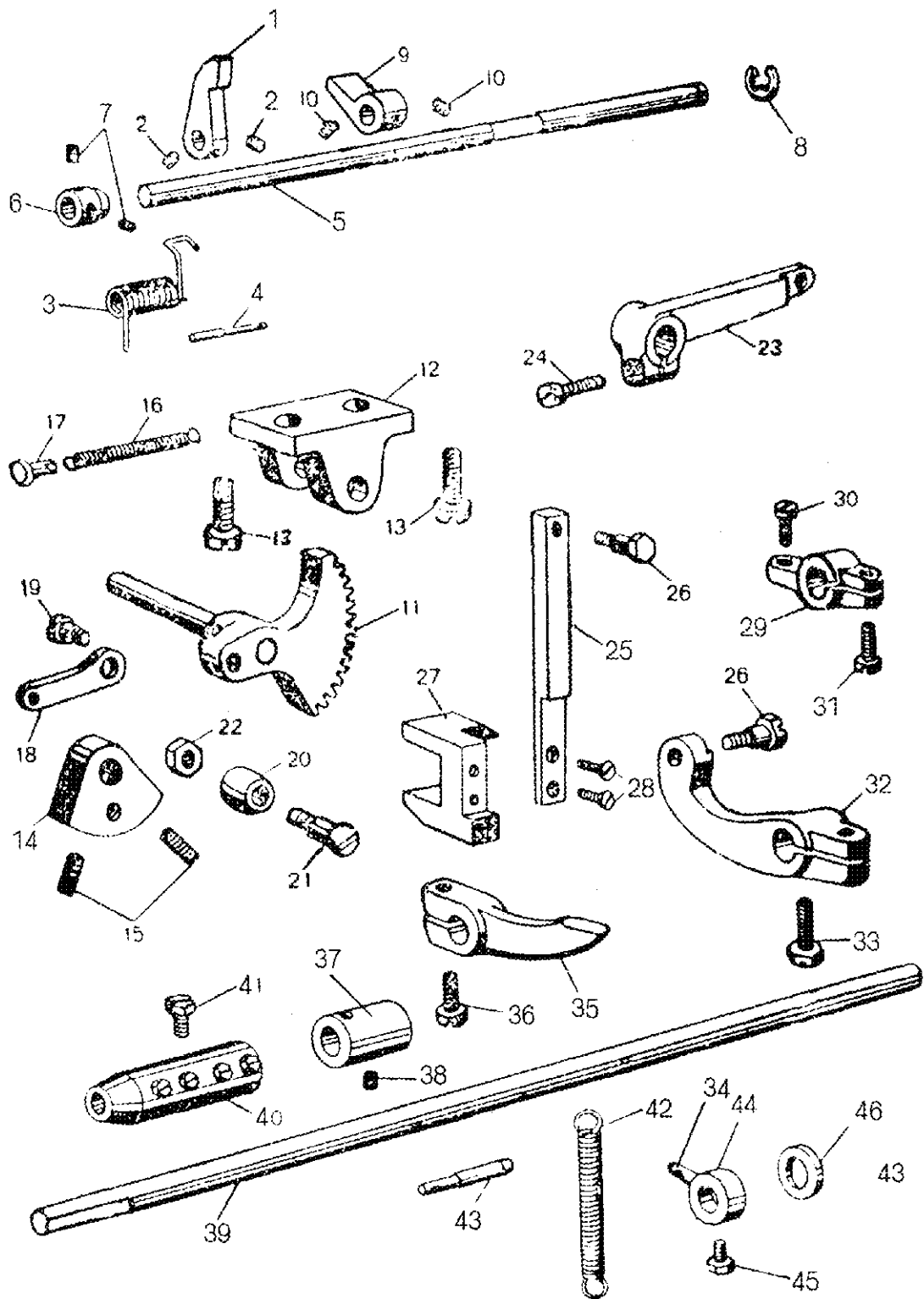
7、抬料轮传动及跳针组件

Disc oscillating and skip stitch components

序号 Ref.No.	件号 Part.No.	名称 Description	数量 Amt.
1	GO28-2	左挡圈	1
2	GS50	紧定螺钉	2
3	GT1-2	止动凸轮	1
4	GS48	紧定螺钉	2
5	GS47-2	限位螺钉	1
6	L1	六角螺母	1
7	GO27-2	衬套	1
	GS5-2	齿轮	1
8	GX13-2	摆杆	1
9	GS48	紧定螺钉	2
10	GO26-2	偏心套	1
	GX107-2	拨销	1
11	GO25-2	右挡圈	1
12	GS50	紧定螺钉	2
13	GZ14-2	偏心轴	1
14	GR65-2	支承圈	1
	GX104-2	定位销	1
15	GS47	沉头螺钉	2
16	GR66-2	手柄	1
	GR67-2	手柄座	1
17	GS48	紧定螺钉	2
18	GS12-2	限位螺钉	2
19	GR68-2	指示片	1
20	GR64-2	弹簧支承套	1
21	GW3-2	小弹簧	1
22	GR21-2	钢球	1
23	GH7-2	曲柄	1
24	GS037	锁紧螺钉	1
25	GX10-2	连杆销	1
26	GL8-2	六角螺母	1
27	GR63-2	球轴节	1
	GH6-2	球连杆	1
28	GS46-2	轴位螺钉	1
29	GR206-2	弹簧垫圈	1
30	GL8-2	六角螺母	1
31	GR62-2	撬板	1
32	GS58-2	摆杆螺钉	2
33	GR205-2	内齿弹性垫圈	2
34	GR68A-2	指示片	1
35	GS47	沉头螺钉	2
36	GR67A-2	挡圈	1
37	GS48	紧定螺钉	2
38	GR65-2	支承圈	1

8. 膝提压脚及止动组件

Disc locking mechanism and kenn lifting presser shaft parts

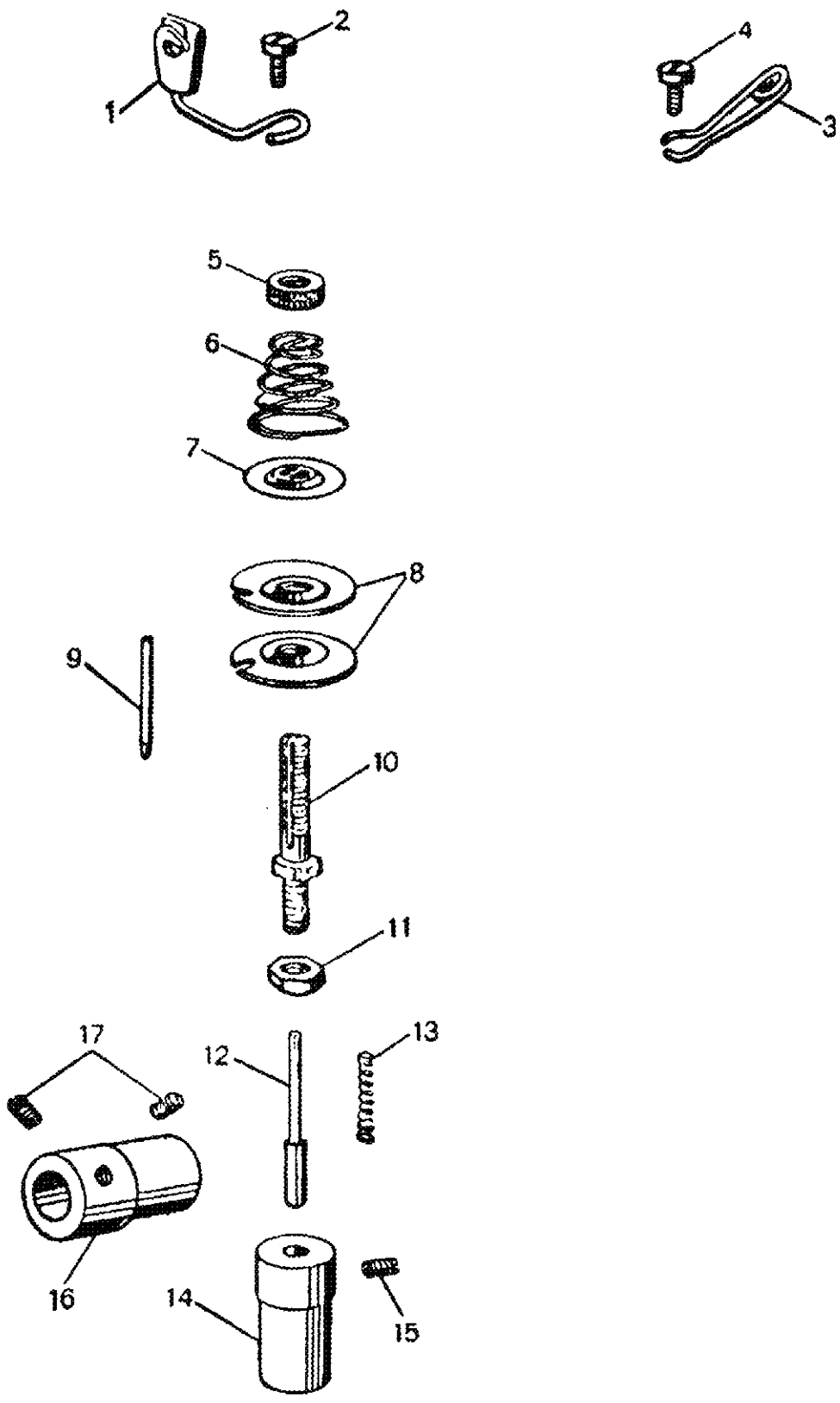


8. 膝提压脚及止动组件

Disc locking mechanism and kenn lifting presser shaft parts

序号 Ref.No.	件号 Part.No.	名称 Description	数量 Amt.
1	GR72-2	止动挡块	1
2	GS43	柱头螺钉	2
3	GW11-2	扭簧	1
4	GX12-2	扭簧销	1
5	GZ17-2	细轴	1
6	GO29-2	限位套	1
7	GS45	柱头螺钉	2
8	GR207-2	轴用弹性挡圈	1
9	GR76-2	挡块	1
10	GS43	柱头螺钉	2
11	GZ15-2	齿轮轴	1
	GC6-2	扇形齿轮	1
12	GR70-2	轴承座	1
13	GS50-2	螺钉	2
14	GT2-2	凸轮	1
15	GS55-2	凹端紧定螺钉	2
16	GW12-2	凸轮拉簧	1
17	GX13-2	凸轮拉簧销	1
18	GH9-2	薄连杆	1
19	GS27	短铰螺钉	1
20	GR77-2	滚子	1
21	GS53-2	滚子螺钉	1
22	GL9-2	螺母	1
23	GH8-2	连杆	1
24	GS05	螺钉	1
25	GZ16-2	杆	1
26	GS52-2	铰螺钉	1
27	GR69-2	压块	1
28	GS54-2	沉头螺钉	2
29	GR75-2	限位挡块	1
30	GS037	螺钉	1
31	GS55	螺钉	1
32	GH10-2	弯连杆	1
33	GS56-2	六角头螺钉	1
34	GS51-2	拉簧螺钉	1
35	GR74-2	弯挡块	1
36	GS05	螺钉	1
37	GO31-2	轴承套	1
38	GS45	柱头螺钉	1
39	GZ18-2	长轴	1
40	GR71-2	套筒	1
41	GS49-2	螺钉	4
42	GW10-2	弹簧	1
43	GX11-2	圆柱销	1
44	GR73-2	套筒	1
45	GS48-2	套筒紧固螺钉	1
46	GO30-2	垫圈	1

9. 夹线器及锁线组件
Thread tension and nipper parts components

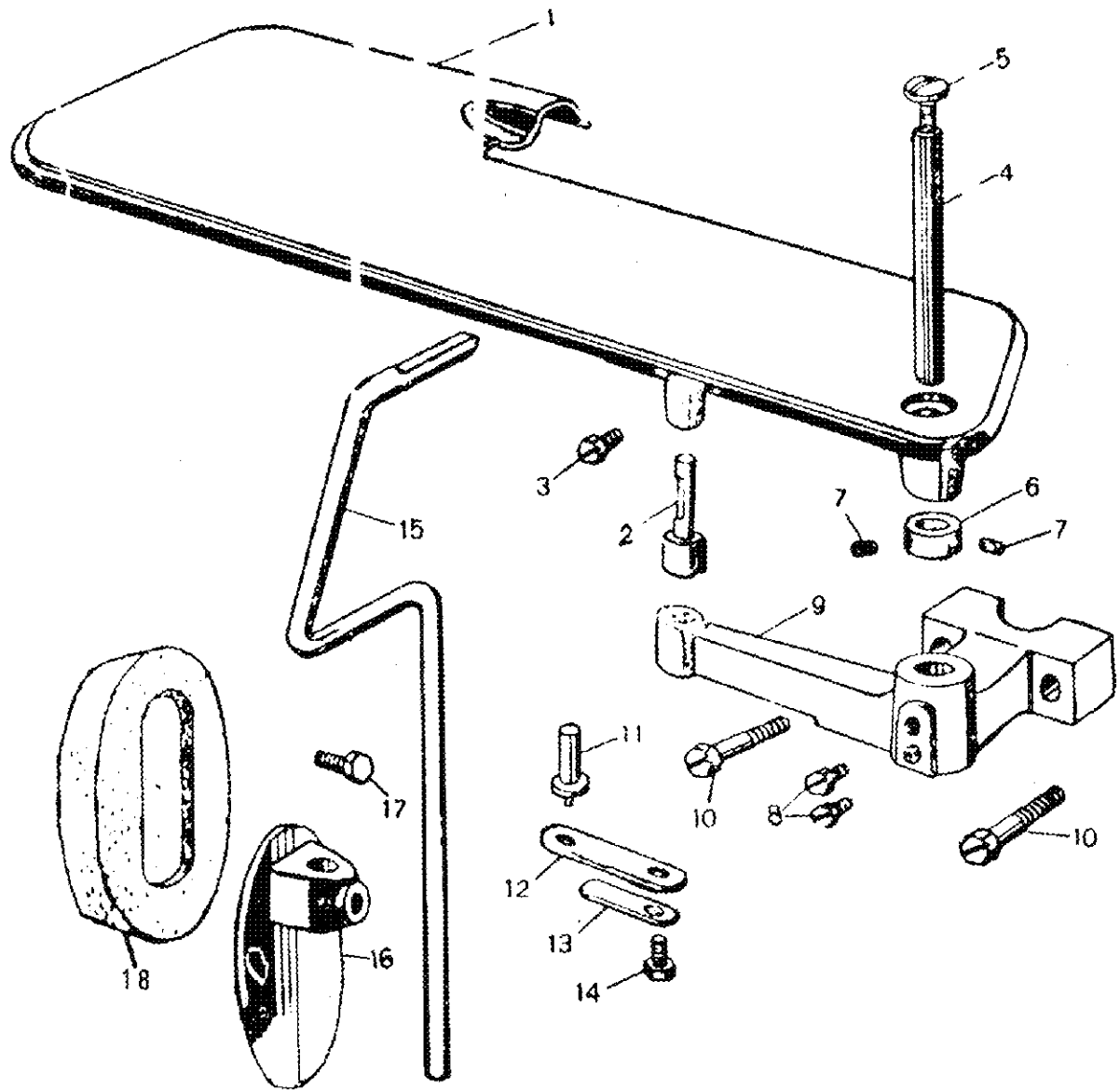


9. 夹线器及锁线组件

Thread tension and nipper parts components

序号	件号	名称	数量
Ref.No.	Part.No.	Description	Amt.
1	GR12-2	过线环	1
2	GS4-2	螺钉	1
3	GR13-2	过线环	2
4	GS4-2	螺钉	2
5	L5	夹线螺母	1
6	GW15-2	夹线簧	2
7	R57	松线板	1
8	GR013	夹线板	1
9	GX1-2	定位销	1
10	GS3-2	夹线螺钉	1
11	L1	螺母	1
12	GZ1-2	顶杆	1
13	GW1-2	松线簧	1
14	GR2-2	夹线柱套	1
15	GS48	紧定螺钉	1
16	GO2-2	松紧线偏心套	1
17	S18	紧定螺钉	2

10、托板组件
Work plate components



10、托板组件
Work plate components

序号	件号	名称	数量
Ref.No.	Part.No.	Description	Amt.
1	GR80-2	托板 - - - - - Work plate - - - - -	1
2	GX15-2	定位销 - - - - - Positioning pin - - - - -	1
3	GS49-2	螺钉 - - - - - Screw - - - - -	1
4	GZ20-2	托架轴 - - - - - Work plate shaft - - - - -	1
5	GS104-2	轴肩螺钉 - - - - - Shoulder screw - - - - -	1
6	GO32-2	挡圈 - - - - - Retainer ring - - - - -	1
7	S18	挡圈螺钉 - - - - - Retainer ring screw - - - - -	2
8	GS58-2	螺钉 - - - - - Screw - - - - -	2
9	GR78-2	支座 - - - - - Bracket - - - - -	1
10	GS105-2	支座螺钉 - - - - - Bracket screw - - - - -	2
11	GX14-2	顶销 - - - - - Pin - - - - -	1
12	GW14-2	长弹簧片 - - - - - Spring leaf(long) - - - - -	1
13	GW13-2	短弹簧片 - - - - - Spring leaf(shout) - - - - -	1
14	GS49-2	螺钉 - - - - - Screw - - - - -	1
15	GZ19-2	膝操纵杆 - - - - - Knee lifter control lever - - - - -	1
16	GR83-2	膝靠板 - - - - - Knee lifter press plate - - - - -	1
17	GS49-2	螺钉 - - - - - Screw - - - - -	1
18	GR84-2	膝靠垫 - - - - - Knee lifter press pad - - - - -	1

本书所有技术资料仅供参考!
ALL TECHNICAL DATA ARE REFERENCE ONLY.

地址: 浙江台州路桥长浦工业区 318050
ADD.: CHANGPU INDUSTRIAL PARK, LUQIAO ZONE
TAIZHOUCITY ZHEJIANG CHINA 318050
销售热线: 0576-2423886 2523568
EXPORT TEL: 86-576-2423889 2423733
传真: 0576-2423918
EXPORT FAX: 86-576-2423722
全国免费服务热线: 8008576258
www.tongyu.com E-mail: protex@tongyu.com

2004年10月第二版第二次印刷
THE SECOND IMPRESSION
OF
THE SECOND EDITION
ON OCT. 2004
印 数 500
PRINTED IN CHINA
版权所有 翻版必究
ALL RIGHTS RESERVED