

NO : CS-335BHA01

金輪牌工業用縫紉機

GOLDEN WHEEL INDUSTRIAL SEWING MACHINE

零件分解圖

PARTS BOOK

MODEL: CS-335BH

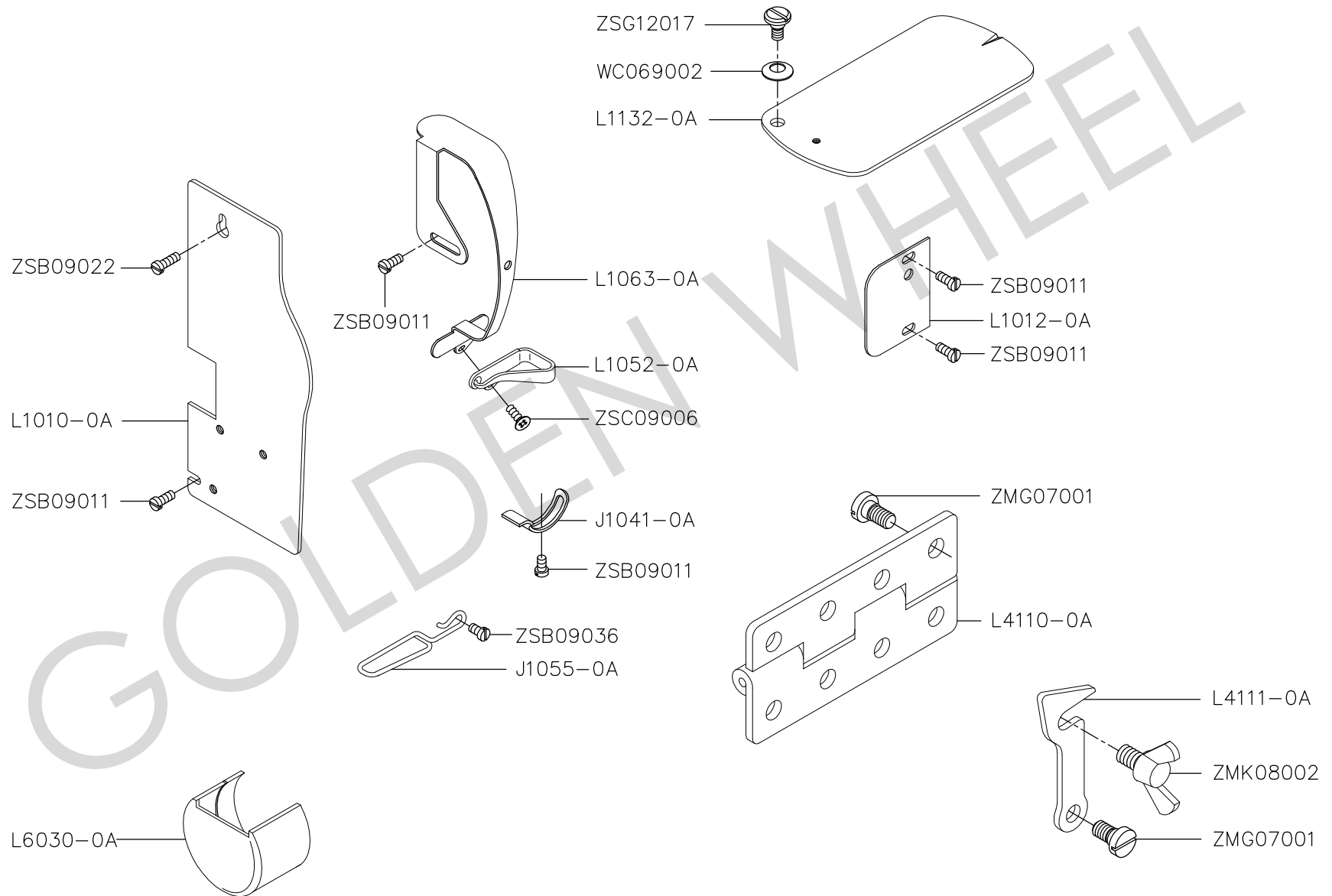
啓翔股份有限公司

CHEE SIANG INDUSTRIAL CO., LTD.

MODEL : CS-335BH

索引	INDEX	PAGE
A、 本體部份	ARM BED AND IT'S ACCESSORIES	2-3
B、 縫線壓力調整機構	UPPER THREAD TENSION REGULATOR MECHANISM	4-5
C、 天秤、針棒機構	NEEDLE BAR AND TAKE-UP LEVER MECHANISM	6-7
D、 上軸機構	UPPER SHAFT MECHANISM	8-9
E、 豎軸機構	VERTICAL SHAFT MECHANISM	10-11
F、 押腳機構	PRESSER FOOT MECHANISM	12-13
G、 上送軸機構	FEED ROTATING SHAFT MECHANISM	14-15
H、 縫目調整機構	STITCH REGULATOR MECHANISM	16-17
I、 腳弓機構	KNEE LIFTER MECHANISM	18-19
J、 釜、下軸機構	HOOK MECHANISM AND LOWER SHAFT MECHANISM	20-21
K、 送料機構	FEEDING MECHANISM	22-23
L、 附件	ACCESSORIES	24-25
M、 零件號碼與頁數對照	NUMERICAL PARTS-LIST	26-27

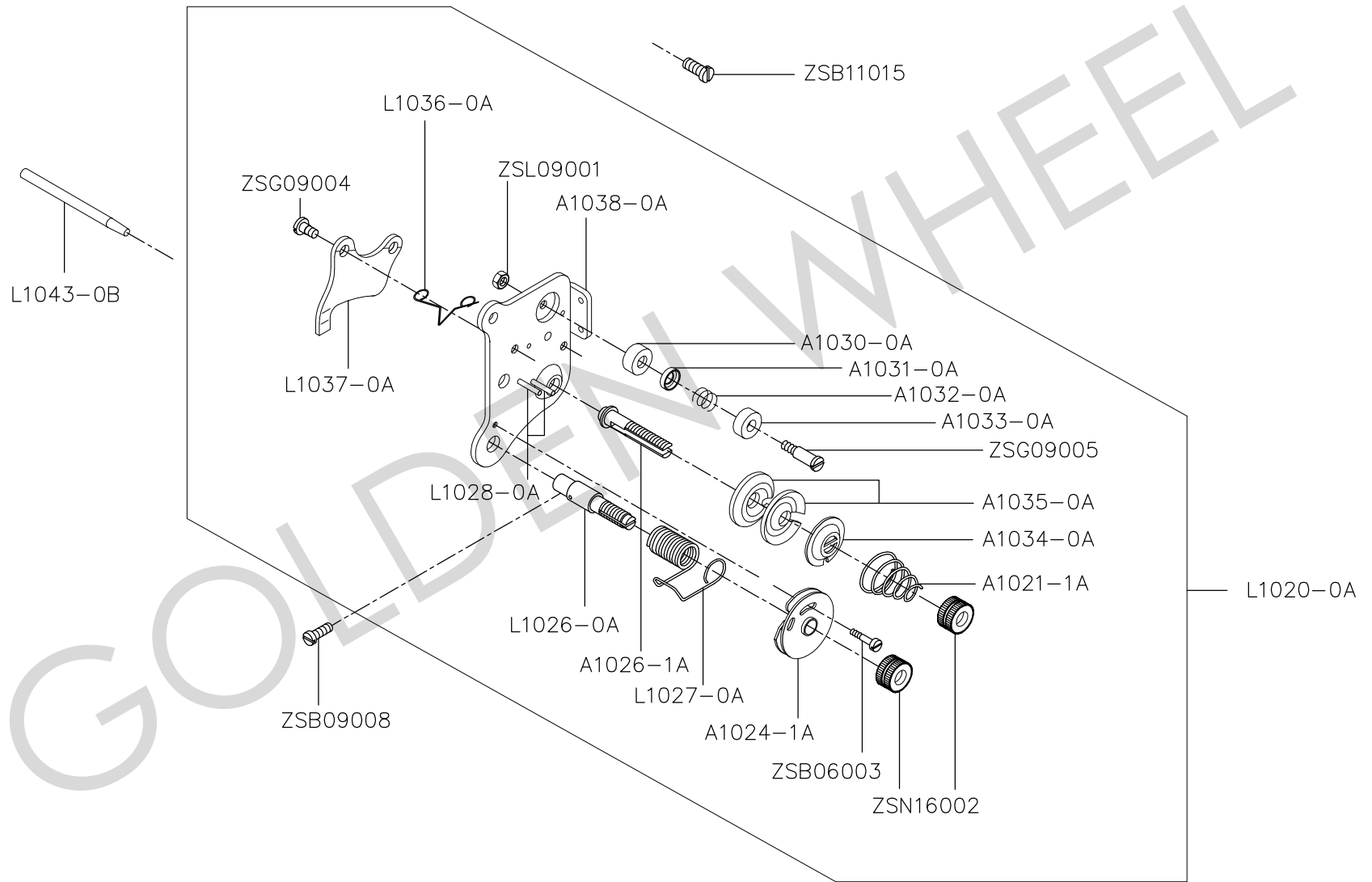
A. CS-335BH 本體部份 ARM BED AND ITS ACCESSORIES



A、CS-335BH 本體部份 ARM BED AND IT'S ACCESSORIES

零件號碼 Part No	零件名稱	Name of Part	件數 Q, TY	備註 Remarks
J1041-0A	線軸彈簧調整器	Stopper	1	
J1055-0A	線掛	Thread Guide	1	
L1010-0A	面板	Arm Head Cover	1	
L1012-0A	防砂板	Rear Cover	1	
L1052-0A	線掛	Thread Guide	1	
L1063-0A	天秤蓋	Thread Take-up Guard	1	
L1132-0A	上蓋	Cover Plate	1	
L4110-0A	後鈕	Hinge	1	
L4111-0A	底座鎖勾	Latch	1	
L6030-0A	大釜蓋	Hook Cover	1	
WC069002	墊圈	Washer	1	
ZMG07001	螺絲	Screw (M7×1.0)	9	
ZMK08002	螺絲	Screw (M8×1.25)	1	
ZSB09011	螺絲	Screw (9/64-40×6.5)	5	
ZSB09022	螺絲	Screw (9/64-40×8)	1	
ZSB09036	螺絲	Screw (9/64-40×6)	1	
ZSC09006	螺絲	Screw (9/64-40×8)	1	
ZSG12017	螺絲	Screw (3/16-28)	1	

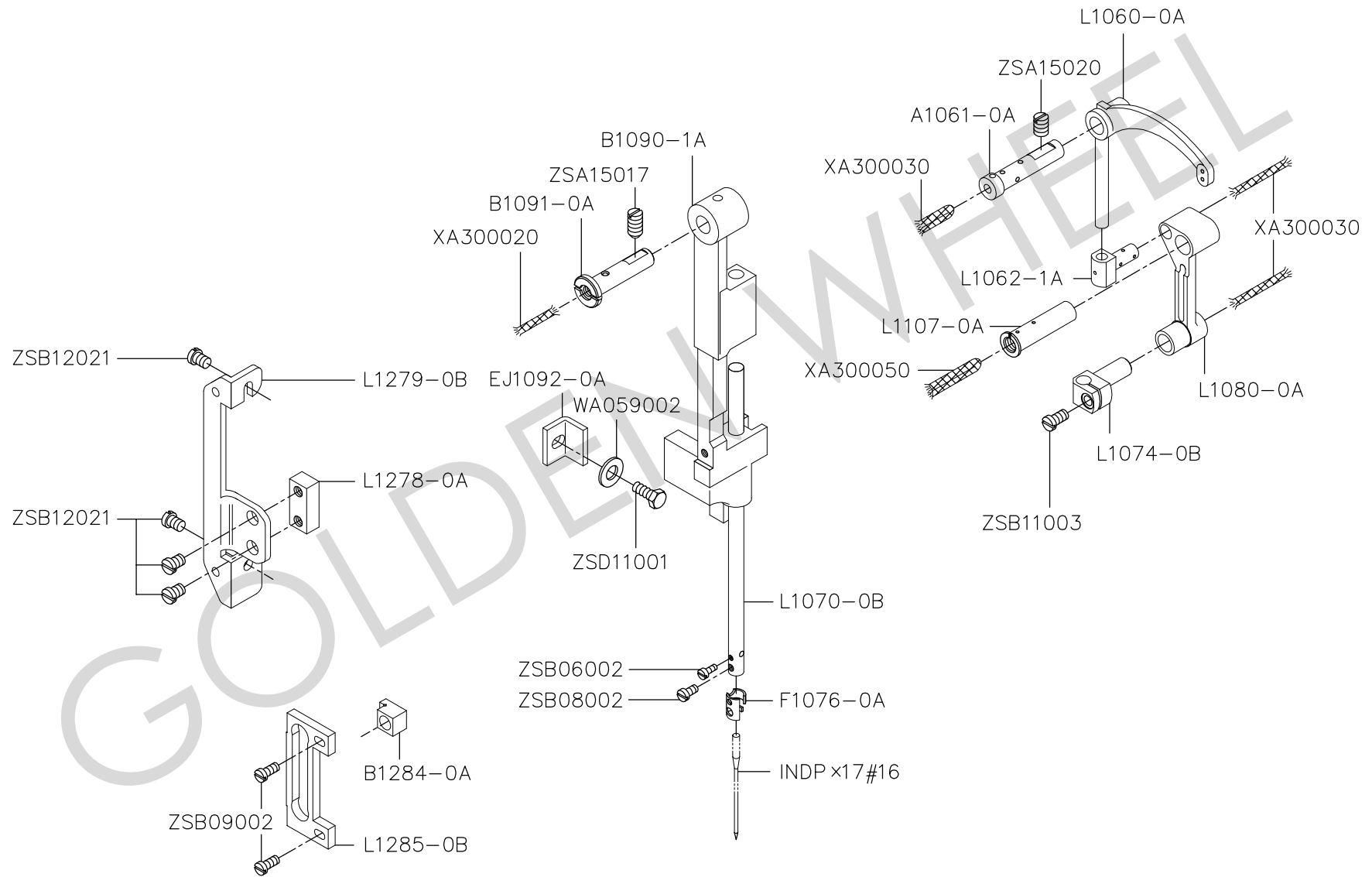
B. CS-335BH 縫線壓力調整機構 UPPER THREAD TENSION REGULATING MECHANISM



B、CS-335BH 縫線壓力調整機構 UPPER THREAD TENSION REGULATOR MECHANISM

零件號碼 Part No	零件名稱	Name of Part	件數 Q, TY	備註 Remarks
A1021-1A	調整彈簧	Thread Tension Spring	1	
A1024-1A	過線盤組	Thread Controller Disc	1	
A1026-1A	壓力調整螺絲棒	Thread Tension Stud	1	
A1030-0A	過線孔台	Thread Guide Bracket	1	
A1031-0A	過線孔圓盤	Thread Guide Disc	1	
A1032-0A	壓力彈簧	Thread Tension Spring	1	
A1033-0A	過線孔內蓋	Controller Cover	1	
A1034-0A	線調整壓盤	Tension Regulator Presser Disc	1	
A1035-0A	壓力盤	Tension Disc	2	
A1038-0A	上線壓力板	Upper Thread Tension Plate	1	
L1020-0A	縫線壓力調整組	Thread Tension Regulator Assy.	1	
L1026-0A	壓力調整螺絲棒	Thread Tension Stud	1	
L1027-0A	吊線彈簧	Thread Take-up Spring	1	
L1028-0A	鬆線銷	Tension Releasing Pin	2	
L1036-0A	壓板彈簧	Spring	1	
L1037-0A	彈簧板	Tension Releasing Plate	1	
L1043-0B	沙拉心	Thread Tension Releasing Stud	1	
ZSB06003	螺絲	Screw (3/32-56x12)	1	
ZSB09008	螺絲	Screw (9/64-40x6.5)	1	
ZSB11015	螺絲	Screw (11/64-40x8.5)	1	
ZSG09004	螺絲	Screw (9/64-40)	2	
ZSG09005	螺絲	Screw (9/64-40)	1	
ZSL09001	螺帽	Nut (9/64-40x3)	2	
ZSN16002	螺帽	Nut (1/4-40x5)	2	

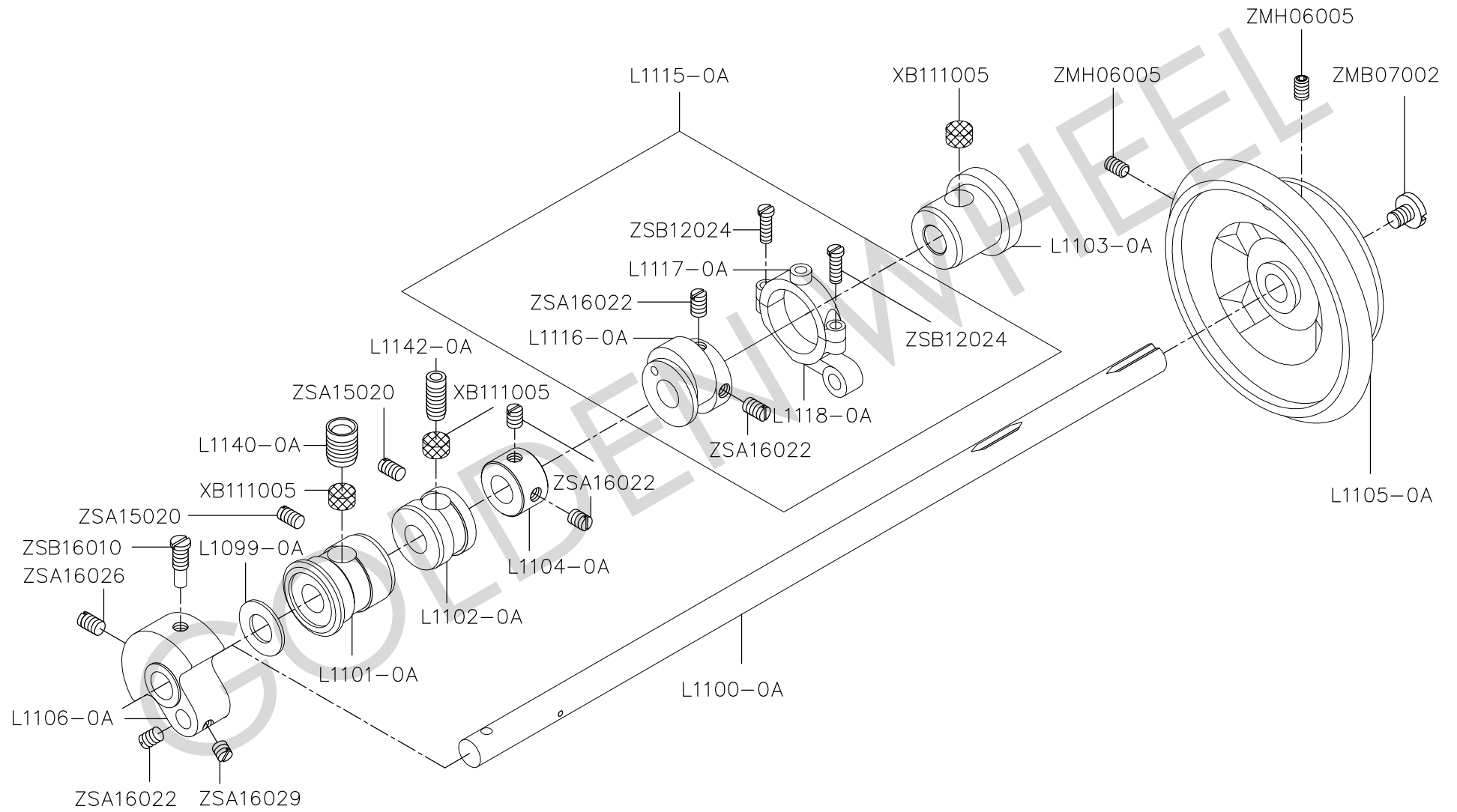
C. CS-335BH 天秤、針棒機構 NEEDLE BAR AND TAKE-UP LEVER MECHANISM



C、CS-335BH 天秤、針棒機構 NEEDLE BAR AND TAKE-UP LEVER MECHANISM

零件號碼 Part No	零件名稱	Name of Part	件數 Q, TY	備註 Remarks
A1061-0A	天秤心	Take-up Lever Support Stud	1	
B1090-1A	針棒座	Needle Bar Frame	1	
B1091-0A	針棒座固定軸	Needle Bar Frame Support Stud	1	
B1284-0A	中押腳導塊	Guide Block	1	
EJ1092-0A	針棒座固定板	Needle Bar Frame Retainer	1	
F1076-0A	針棒線掛	Thread Guide	1	
INDP×17#16	針	Needle	1	
L1060-0A	天秤	Thread Take-up Lever	1	
L1062-1A	天秤滑塊	Take-up Lever Slide Block	1	
L1070-0B	針棒	Needle Bar	1	
L1074-0B	針棒鉗	Needle Bar Connecting Stud	1	
L1080-0A	針棒連接器	Needle Bar Connecting Crank Rod	1	
L1107-0A	凸輪固定銷	Crank Pin	1	
L1278-0A	靠背塊	Guide Strip	1	
L1279-0B	靠背板	Bearing Support	1	
L1285-0B	中押棒導板	Guide Plate	1	
WA059002	平墊圈	Washer	1	
XA300020	油棉	Oil Wick	1	
XA300030	油棉	Oil Wick	3	
XA300050	油棉	Oil Wick	1	
ZSA15017	螺絲	Screw (15/64-28×8.5)	1	
ZSA15020	螺絲	Screw (15/64-28×11)	1	
ZSB06002	螺絲	Screw (3/32-56×12)	1	
ZSB08002	螺絲	Screw (1/8-44×4.5)	1	
ZSB09002	螺絲	Screw (9/64-40×10)	2	
ZSB11003	螺絲	Screw (11/64-40×9)	1	
ZSB12021	螺絲	Screw (3/16-28×9.5)	4	
ZSD11001	螺絲	Screw (11/64-40×9.5)	1	

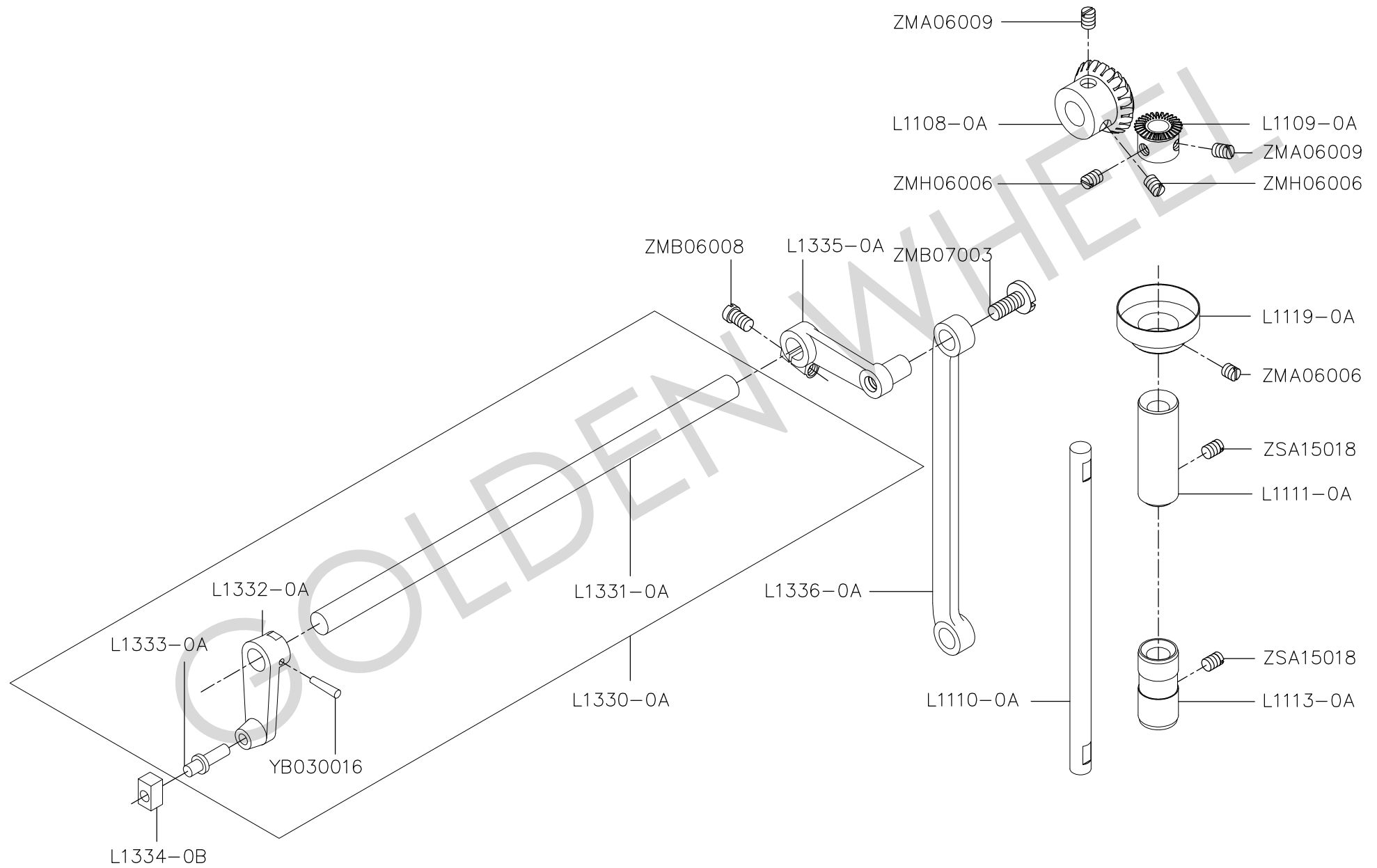
D. CS-335BH 上軸機構 UPPER SHAFT MECHANISM



D、CS-335BH 上軸機構 UPPER SHAFT MECHANISM

零件號碼 Part No	零件名稱	Name of Part	件數 Q, TY	備註 Remarks
L1099-0A	上軸套環	Thrust Ring	1	
L1100-0A	上軸	Upper Shaft	1	
L1101-0A	上軸套管(左)	Upper Shaft Bushing (Left)	1	
L1102-0A	上軸套管(中)	Upper Shaft Bushing (Center)	1	
L1103-0A	上軸套管(右)	Upper Shaft Bushing (Right)	1	
L1104-0A	上軸定環	Upper Shaft Collar	1	
L1105-0A	皮帶輪	Pulley	1	
L1106-0A	凸輪	Crank	1	
L1115-0A	偏心輪組	Eccentric Assy.	1	
L1116-0A	偏心輪	Eccentric	1	
L1117-0A	偏心輪上蓋	Eccentric Connection Head Cover (Upper)	1	
L1118-0A	偏心輪下蓋	Eccentric Connection Head Cover (Upper)	1	
L1140-0A	油塞	Oil Sleeve	1	
L1142-0A	油塞	Oil Sleeve	1	
XB111005	油棉	Oil Felt	3	
ZMB07002	螺絲	Screw (M7×1.0×9)	1	
ZMH06005	螺絲	Screw (M6×1.0×12)	2	
ZSA15020	螺絲	Screw (15/64-28×11)	2	
ZSA16022	螺絲	Screw (1/4-40×7)	5	
ZSA16026	螺絲	Screw (1/4-28×11.5)	1	
ZSA16029	螺絲	Screw (1/4-40×3.5)	1	
ZSB12024	螺絲	Screw (3/16-28×12)	2	
ZSB16010	螺絲	Screw (1/4-28×16)	1	

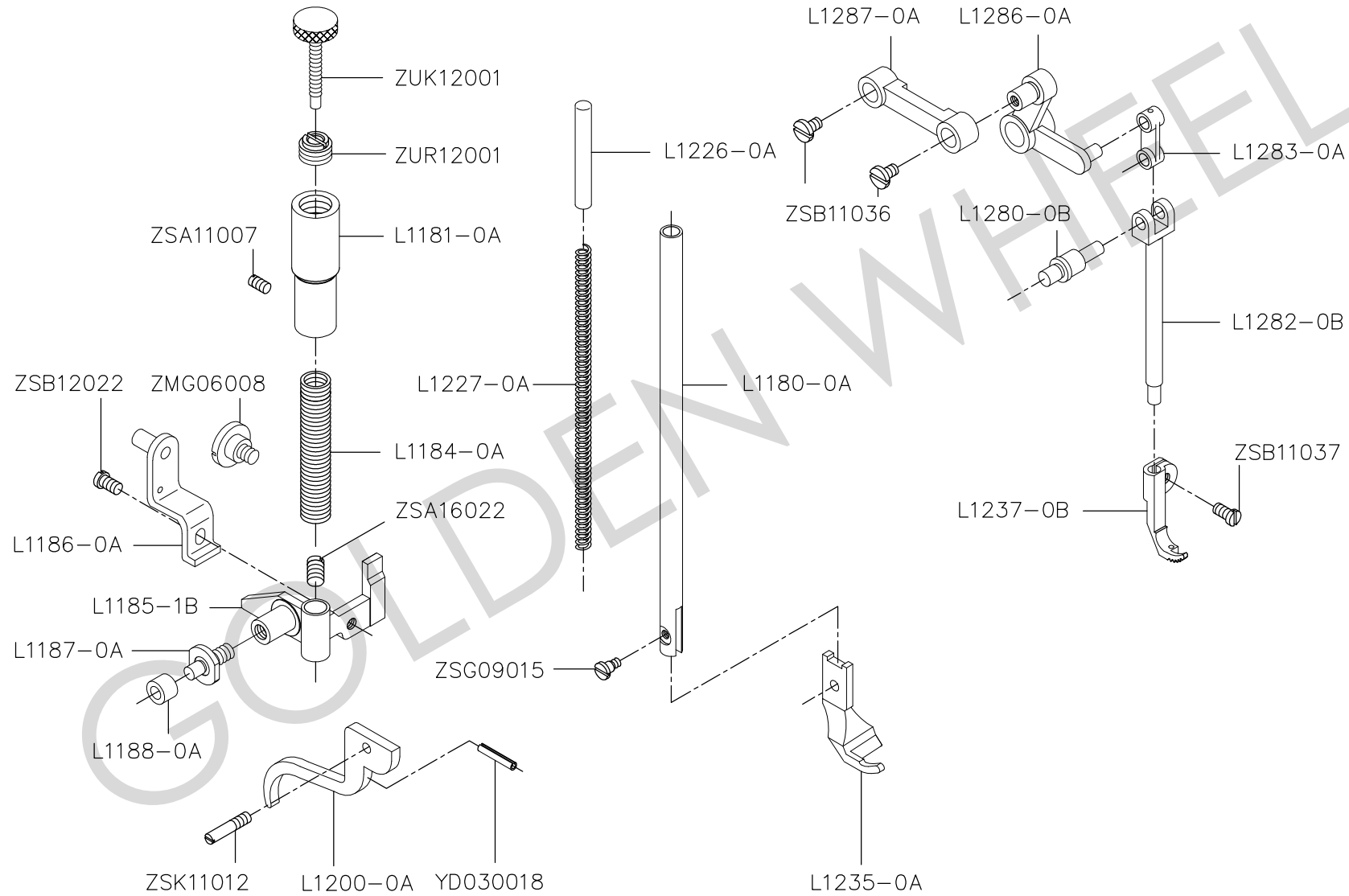
E. CS-335BH 豎軸機構 VERTICAL SHAFT MECHANISM



E、CS-335BH 豎軸機構 VERTICAL SHAFT MECHANISM

零件號碼 Part No	零件名稱	Name of Part	件數 Q, TY	備註 Remarks
L1108-0A	齒輪(上軸)	Bevel Gear (Upper Shaft)	1	
L1109-0A	齒輪(豎軸)	Bevel Gear (Vertical Shaft)	1	
L1110-0A	豎軸	Vertical Shaft	1	
L1111-0A	豎軸套管(上)	Vertical Shaft Bushing (Upper)	1	
L1113-0A	豎軸套管(下)	Vertical Shaft Bushing (Upper)	1	
L1119-0A	黃油槽組	Oil Retainer Cup	1	
L1330-0A	針棒搖桿軸組	Needle Bar Rock Shaft Assy.	1	
L1331-0A	針送搖桿	Needle Bar Rock Rod	1	
L1332-0A	針送搖臂	Needle Bar Connecting Rod	1	
L1333-0A	針送搖臂銷	Pin	1	
L1334-0B	針棒座滑塊	Needle Bar Guide Slide Block	1	
L1335-0A	針棒搖桿軸連桿(上)	Needle Bar Connecting Rod	1	
L1336-0A	針棒搖桿軸連桿(下)	Needle Bar Rock Link	1	
YB030016	推拔銷	Taper Pin	1	
ZMA06006	螺絲	Screw (M6×1.0×5)	1	
ZMA06009	螺絲	Screw (M6×0.75×8)	2	
ZMB06008	螺絲	Screw (M6×1.0×16)	1	
ZMB07003	螺絲	Screw (M7×1.0×90)	1	
ZMH06006	螺絲	Screw (M6×0.75×6)	2	
ZSA15018	螺絲	Screw (15/64-28×19)	2	

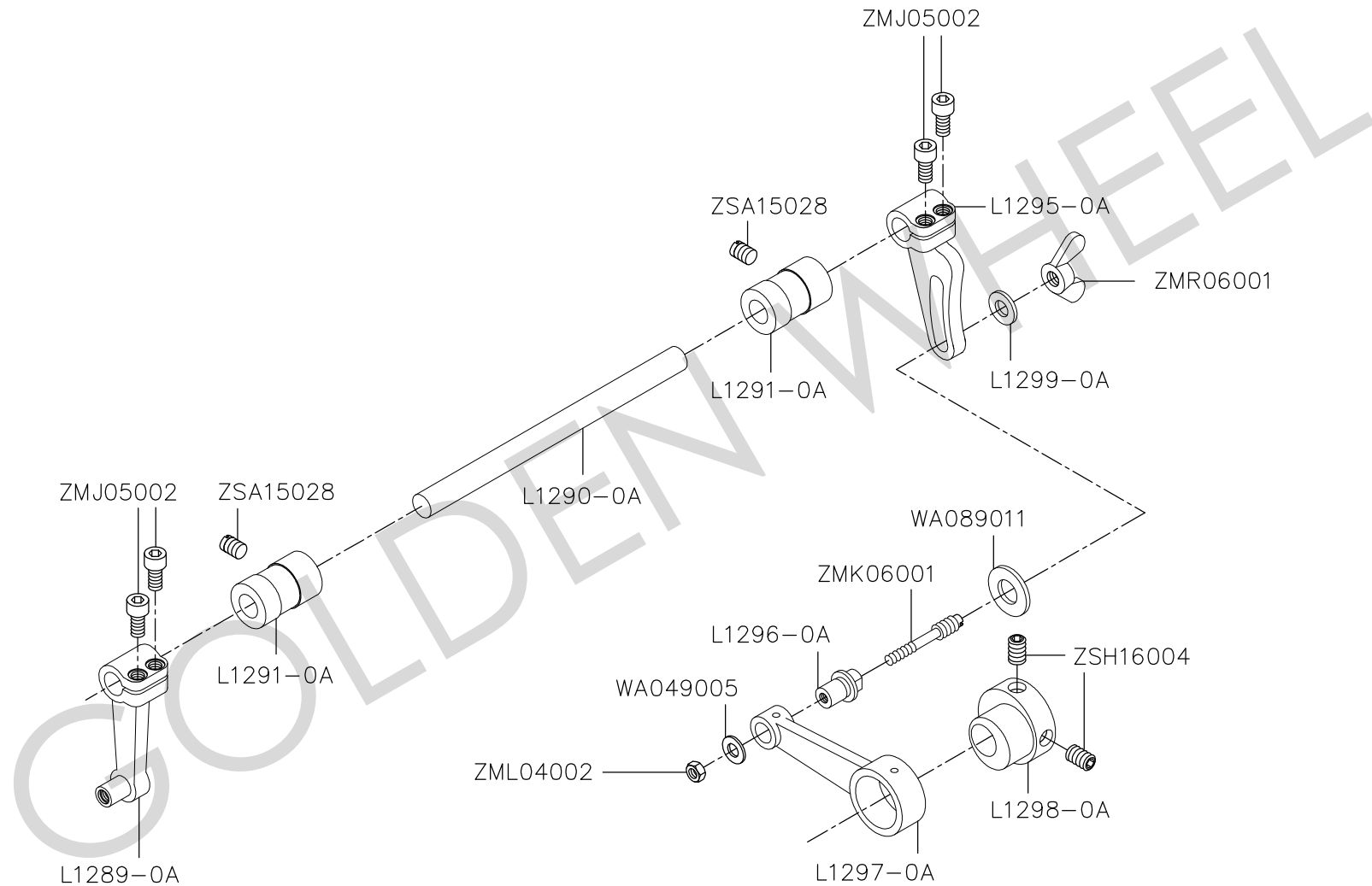
F. CS-335BH 押脚機構 PRESSER FOOT MECHANISM



F、CS-335BH 押腳機構 PRESSER FOOT MECHANISM

零件號碼 Part No	零件名稱	Name of Part	件數 Q, TY	備註 Remarks
L1180-0A	押棒	Presser Bar	1	
L1181-0A	押棒套管(上)	Presser Bar Bushing (Upper)	1	
L1184-0A	壓縮彈簧	Presser Spring	1	
L1185-0B	壓棒固定座	Presser Bar Holder	1	
L1186-0A	壓棒拉起器	Lifting Bracket	1	
L1187-0A	固定軸	Bearing Stud	1	
L1188-0A	滾子	Roller	1	
L1200-0A	押棒提桿	Presser Foot Lifter	1	
L1226-0A	押棒加強桿	Stud	1	
L1227-0A	壓縮彈簧	Spring	1	
L1235-0A	外押腳	Walking Foot	1	
L1237-0B	內押腳	Presser Foot	1	
L1280-0B	中壓棒定向軸	Hinge Stud	1	
L1282-0B	中壓腳軸	Feed Bar	1	
L1283-0A	連桿(小)	Link (Small)	1	
L1286-0A	V型連桿	Bellcrank Lever	1	
L1287-0A	水平桿	Link	1	
YD030018	彈簧銷	Spring Pin	1	
ZMG06008	螺絲	Screw (M6×1.0)	1	
ZSA11007	螺絲	Screw (11/64-40×8)	1	
ZSA16022	螺絲	Screw (1/4-40×7)	2	
ZSB11036	螺絲	Screw (11/64-40×5)	2	
ZSB11037	螺絲	Screw (11/64-40×6.5)	1	
ZSB12022	螺絲	Screw (3/16-28×7)	1	
ZSG09015	螺絲	Screw (9/64-40)	1	
ZSK11012	螺絲	Screw (9/64-40)	1	
ZUK12001	螺絲	Screw (NO. 12-24UNC)	1	
ZUR12001	螺帽	Nut (NO. 12-24NUC×7)	1	

G. CS-335BH 上送軸機構 FEED ROTATING SHAFT MECHANISM

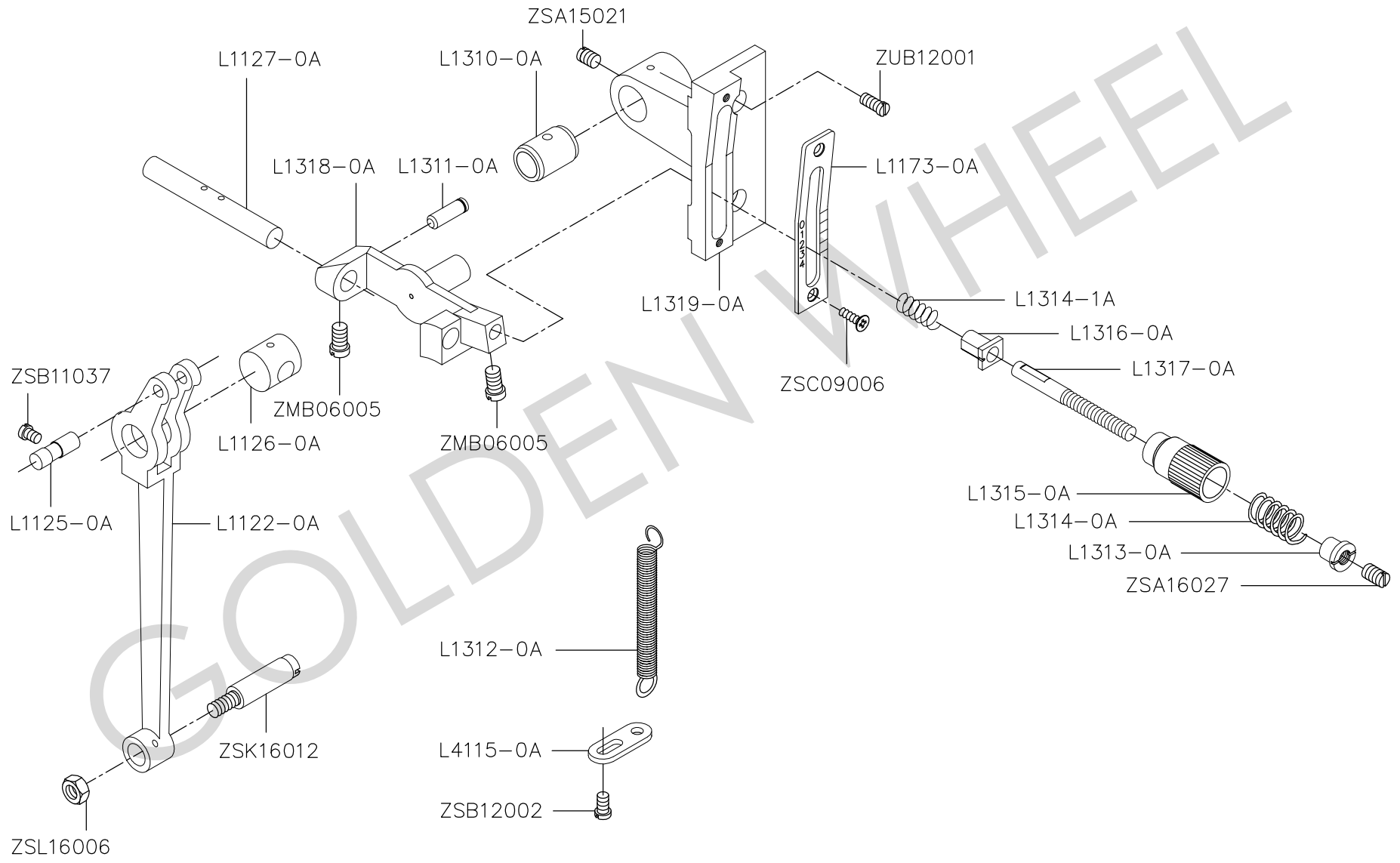


G、CS-335BH 上送軸機構 FEED ROTATING SHAFT MECHANISM

零件號碼 Part No	零件名稱	Name of Part	件數 Q, TY	備註 Remarks
L1289-0A	上送軸連接器	Feed Rotating Shaft Lever	1	
L1290-0A	上送軸	Feed Rotating Shaft	1	
L1291-0A	上送軸套管	Feed Rotating Shaft Bushing	2	
L1295-0A	上送軸曲柄	Feed Rotating Shaft Crank	1	
L1296-0A	連接座	Bearing Stud	1	
L1297-0A	連桿	Connection Rod	1	
L1298-0A	偏心輪	Eccentric Cam	1	
L1299-0A	平墊圈	Washer	1	
WA049005	平墊圈	Washer	1	
WA089011	平墊圈	Washer	1	
ZMJ05002	螺絲	Screw (M5×0.8×12)	4	
ZMK06001	螺絲	Screw (M6×1.0)	1	
ZML04002	螺帽	Nut (M4×0.7×3.4)	1	
ZMR06001	螺帽	Nut (M6×1.0)	1	
ZSA15028	螺絲	Screw (15/64-28×7)	2	
ZSH16004	螺絲	Screw (1/4-40×10)	2	

GOLDEN WHEEL

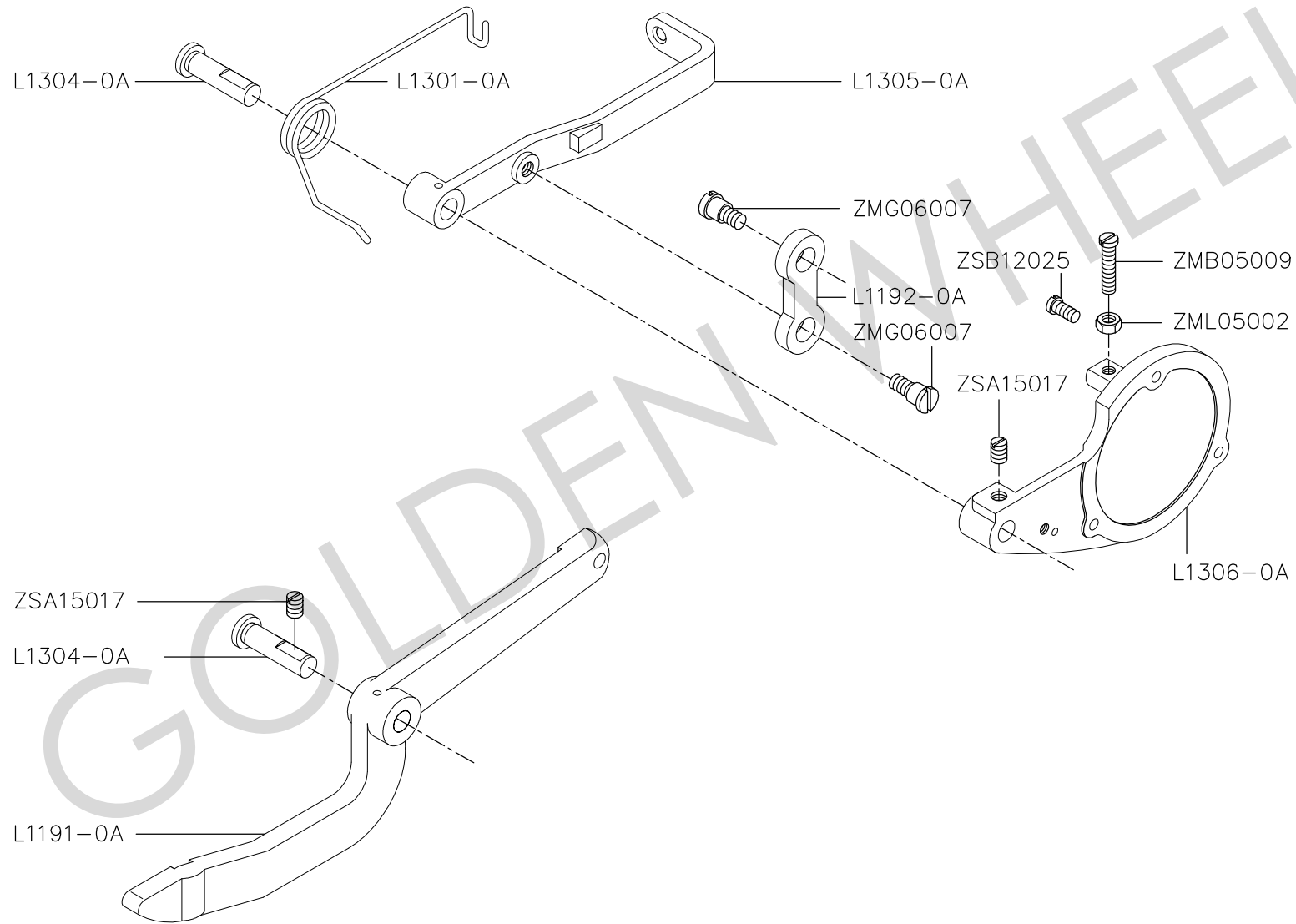
H. CS-335BH 縫目調整機構 STITCH REGULATOR MECHANISM



H、CS-335BH 縫目調整機構 STITCH REGULATOR MECHANISM

零件號碼 Part No	零件名稱	Name of Part	件數 Q, TY	備註 Remarks
L1122-0A	連接桿	Forked Connection Rod	1	
L1125-0A	固定銷	Pin	1	
L1126-0A	連接桿滑塊	Slide Stud	1	
L1127-0A	連接桿軸	Stud	1	
L1173-0A	刻度板	Scale Plate	1	
L1310-0A	倒退針座套筒	Bearing Bushing	1	
L1311-0A	彈簧固定銷	Slotted Taper Pin	1	
L1312-0A	拉伸彈簧	Spring	1	
L1313-0A	倒縫軸彈簧螺帽	Slotted Nut	1	
L1314-0A	壓縮彈簧	Spring	1	
L1314-1A	壓縮彈簧	Spring	1	
L1315-0A	倒縫軸柄	Knob	1	
L1316-0A	數字固定管	Bushing	1	
L1317-0A	調整桿	Screw Stud	1	
L1318-0A	送料調節桿	Feed Regulator Lever	1	
L1319-0A	倒縫軸座	Bearing Bracket	1	
L4115-0A	彈簧固定板	Suspension Link	1	
ZMB06005	螺絲	Screw (M6×0.75×7.5)	2	
ZSA15021	螺絲	Screw (15/64-28×4.5)	1	
ZSA16027	螺絲	Screw (1/4-28×4.5)	1	
ZSB11037	螺絲	Screw (11/64-40×6.5)	1	
ZSB12002	螺絲	Screw (3/16-28×12)	1	
ZSC09006	螺絲	Screw (9/64-40×8)	2	
ZSK16012	螺絲	Screw (1/4-28)	1	
ZSL16006	螺帽	Nut (1/4-28×4)	1	
ZUB12001	螺絲	Screw (NO.12-24NUC×13)	2	

I. CS-335BH 腳弓機構 KNEE LIFTER MECHANISM

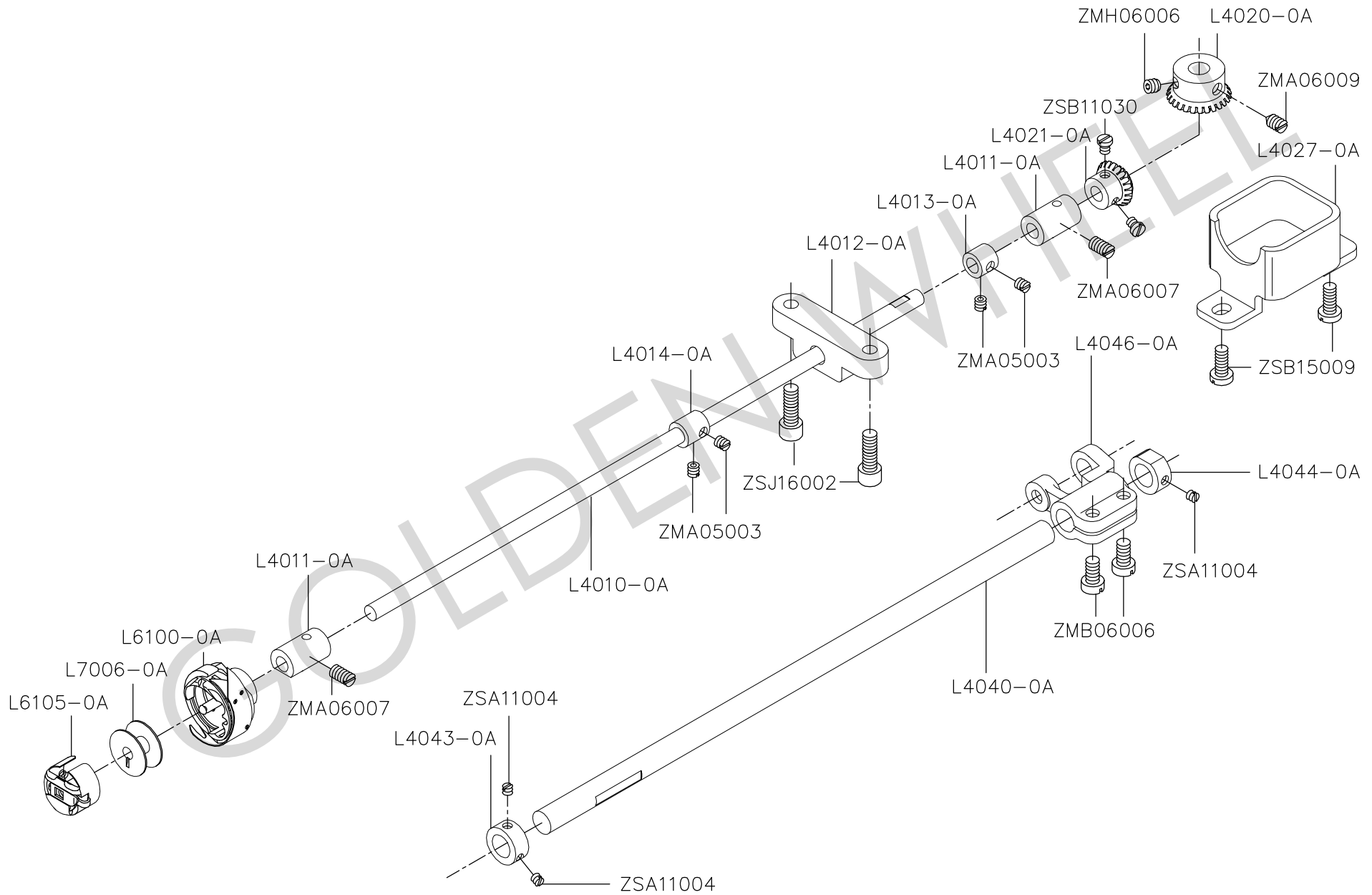


I、CS-335BH 腳弓機構 KNEE LIFTER MECHANISM

零件號碼 Part No	零件名稱	Name of Part	件數 Q, TY	備註 Remarks
L1191-0A	扁擔(大)	Lever (Large)	1	
L1192-0A	腳弓連桿	Ball Joint	1	
L1301-0A	扭力彈簧	Spring	1	
L1304-0A	固定銷	Hinge Stud	2	
L1305-0A	扁擔(小)	Lever (Small)	1	
L1306-0A	防砂板座	Stsnd Cover	1	
ZMB05009	螺絲	Screw (M5×0.8×30)	1	
ZMG06007	螺絲	Screw (M6×1.0)	2	
ZML05002	螺帽	Nut (M5×0.8×4)	1	
ZSA15017	螺絲	Screw (15/64-28×8.5)	2	
ZSB12025	螺絲	Screw (3/16-28×12)	3	

GOLDEN WHEEL

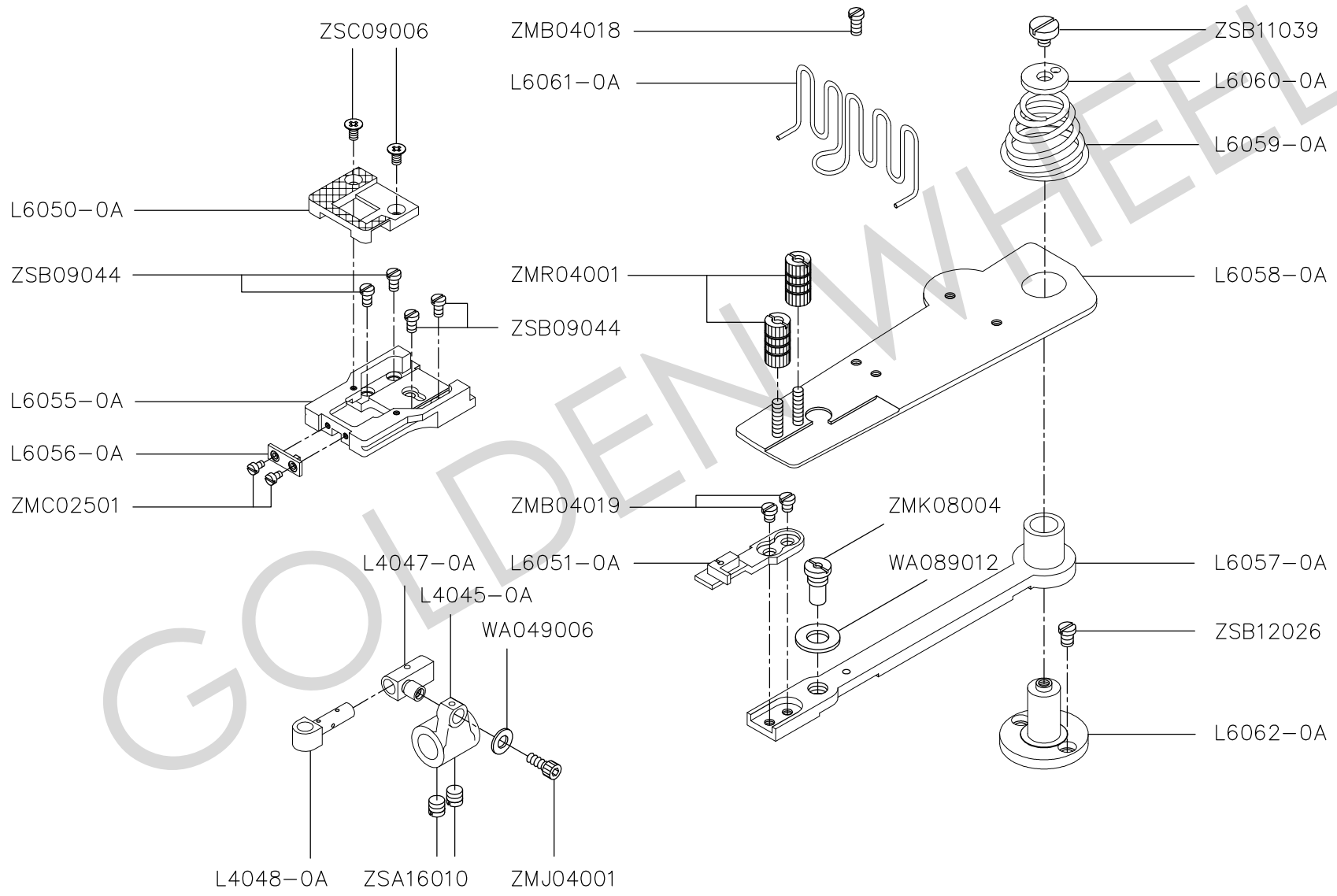
J. CS-335BH 釜、下軸機構 HOOK MECHANISM AND LOWER SHAFT MECHANISM



J、CS-335BH 釜、下軸機構 HOOK MECHANISM AND LOWER SHAFT MECHANISM

零件號碼 Part No	零件名稱	Name of Part	件數 Q, TY	備註 Remarks
L4010-0A	下軸	Lower Shaft	1	
L4011-0A	下軸套管	Lower Shaft Bushing	2	
L4012-0A	下軸固定座	Lower Shaft Bracket	1	
L4013-0A	下軸定環	Collar	1	
L4014-0A	下軸定環	Collar	1	
L4020-0A	齒輪(豎軸)	Bevel Gear (Vertical Shaft)	1	
L4021-0A	齒輪(下軸)	Bevel Gear (Lower Shaft)	1	
L4027-0A	齒輪蓋	Bevel Gear Housing	1	
L4040-0A	送料軸	Feed Rock Shaft	1	
L4043-0A	定環	Collar	1	
L4044-0A	定環	Collar	1	
L4046-0A	送料軸座	Crank Bracket	1	
L6100-0A	梭頭	Hook	1	
L6105-0A	梭殼	Bobbin Case	1	
L7006-0A	梭仔	Bobbin	1	
ZMA05003	螺絲	Screw (M5×0.8×4)	4	
ZMA06007	螺絲	Screw (M6×1.0×9.5)	2	
ZMA06009	螺絲	Screw (M6×0.75×8)	1	
ZMB06006	螺絲	Screw (M6×1.0×12)	2	
ZMH06006	螺絲	Screw (M6×0.75×6)	1	
ZSA11004	螺絲	Screw (11/64-40×3.5)	3	
ZSB11030	螺絲	Screw (11/64-40×5.5)	2	
ZSB15009	螺絲	Screw (15/64-28×13)	2	
ZSJ16002	螺絲	Screw (1/4-20×19)	2	

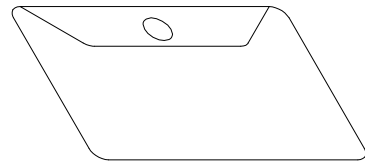
K. CS-335BH 送料機構 FEEDING MECHANISM



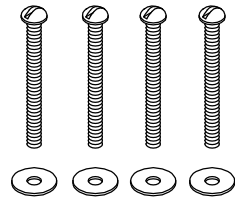
K、CS-335BH 送料機構 FEEDING MECHANISM

零件號碼 Part No	零件名稱	Name of Part	件數 Q, TY	備註 Remarks
L4045-0A	送料座搖臂	Crank	1	
L4047-0A	搖臂左右拉基	Slide Stud	1	
L4048-0A	搖臂上下拉基	Slide Stud	1	
L6050-0A	針板	Needle Plate	1	
L6051-0A	送料齒	Feed Dog	1	
L6055-0A	針板座	Needle Plate Bracket	1	
L6056-0A	大釜止	Hook Positioner	1	
L6057-0A	送料齒桿座	Feed Bar	1	
L6058-0A	送料面板	Cover	1	
L6059-0A	壓縮彈簧	Spring	1	
L6060-0A	墊圈	Washer	1	
L6061-0A	皮條架	Stripe Guide	1	
L6062-0A	送料齒座軸心	Bearing Stud	1	
WA049006	平墊圈	Washer	1	
WA089012	平墊圈	Washer	1	
ZMB04018	螺絲	Screw (M4×0.7×5)	1	
ZMB04019	螺絲	Screw (M4×0.7×4)	2	
ZMC02501	螺絲	Screw (M2.5×0.45×4)	2	
ZMJ04001	螺絲	Screw (M4×0.7×8)	1	
ZMK08004	螺絲	Screw (M8×0.75)	1	
ZMR04001	螺帽	Nut (M4×0.7×19.5)	2	
ZSA16010	螺絲	Screw (1/4-40×4.5)	2	
ZSB09044	螺絲	Screw (9/64-40×5.3)	4	
ZSB11039	螺絲	Screw (11/64-40×5.5)	1	
ZSB12026	螺絲	Screw (3/16-28×7)	2	
ZSC09006	螺絲	Screw (9/64-40×8)	2	

L. CS-335BH 附件 ACCESSORIES



A7000-0A

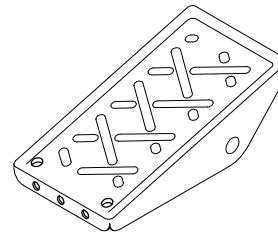


ZSQ16001

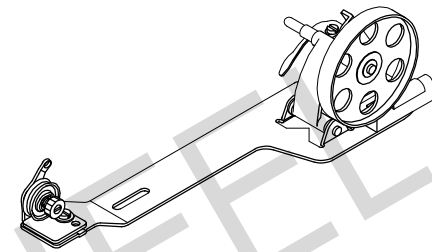
WA069005



ZSL16009



B7070-1A



J7040-0A



A7001-0A



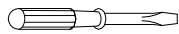
ZMT05001



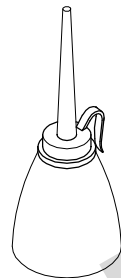
WA059003



A7011-0A



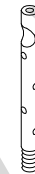
A7010-0A



A7012-1A



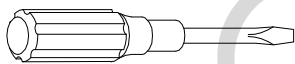
A7012-0A



B1050-0A



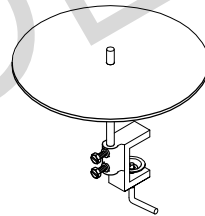
ZML06001



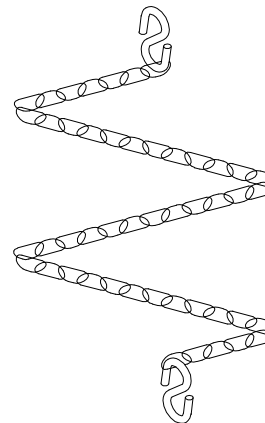
A7010-1A



INDP x17#16



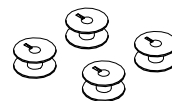
L7100-0A



B7060-0A



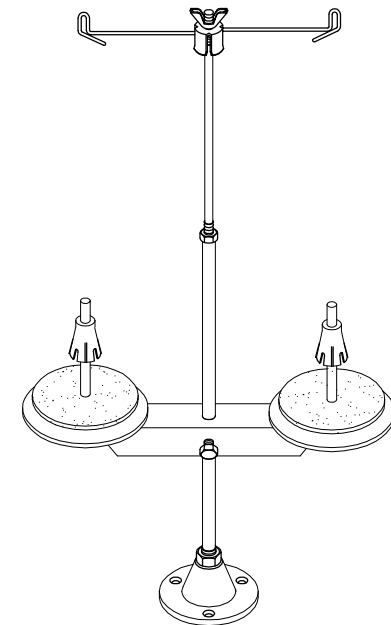
B7025-0A



L7006-0A



A7010-2A



A7050-0A

L、CS-335BH 附件 ACCESSORIES

零件號碼 Part No	零件名稱	Name of Part	件數 Q, TY	備註 Remarks
A7000-0A	工具袋	Accessories Bag	1	
A7001-0A	車頭蓋	Vinyl Cover	1	
A7010-0A	螺絲起子(小)	Screw Driver (Small)	1	
A7010-1A	螺絲起子(中)	Screw Driver (Middle)	1	
A7010-2A	螺絲起子(大)	Screw Driver (Large)	1	
A7011-0A	鐵釘	Nail	8	
A7012-0A	油壺(小)	Oiler (Small)	1	
A7012-1A	油壺(中)	Oiler (Middle)	1	
A7050-0A	線架組	Thread Stand Assy.	1	
B1050-0A	線柱	Thread Guide Pin	1	
B7025-0A	枕木	Head Rest	1	
B7060-0A	鏈子組	Chain Assy.	1	
B7070-1A	踏板組	Pedal Assy.	1	
INDP×17#16	針	Needle	4	
J7040-0A	捲線器組	Bobbin Winder Assy.	1	
L7006-0A	梭仔	Bobbin	4	
L7100-0A	送料盤組	Stripe Feeding Plate Assy.	1	
WA059003	平墊圈	Washer	2	
WA069005	平墊圈	Washer	4	
ZML06001	螺帽	Nut (M6×1.0×4.8)	1	
ZMT05001	螺絲	Screw (5.5×25)	4	
ZSL16009	螺帽	Nut (1/4-20×5.5)	4	
ZSQ16001	螺絲	Screw (1/4-20×69)	4	

CS-335BH 零件號碼與頁數對照 NUMERICAL PARTS-LIST

零件號碼 PARTS NO.	頁數 PAGE	零件號碼 PARTS NO.	頁數 PAGE	零件號碼 PARTS NO.	頁數 PAGE	零件號碼 PARTS NO.	頁數 PAGE	零件號碼 PARTS NO.	頁數 PAGE
A1021-1A	4	F1076-0A	6	L1106-0A	8	L1192-0A	18	L1312-0A	16
A1024-1A	4	INDP×17#16	6,24	L1107-0A	6	L1200-0A	12	L1313-0A	16
A1026-1A	4	J1041-0A	2	L1108-0A	10	L1226-0A	12	L1314-0A	16
A1030-0A	4	J1055-0A	2	L1109-0A	10	L1227-0A	12	L1314-1A	16
A1031-0A	4	J7040-0A	24	L1110-0A	10	L1235-0A	12	L1315-0A	16
A1032-0A	4	L1010-0A	2	L1111-0A	10	L1237-0B	12	L1316-0A	16
A1033-0A	4	L1012-0A	2	L1113-0A	10	L1278-0A	6	L1317-0A	16
A1034-0A	4	L1020-0A	4	L1115-0A	8	L1279-0B	6	L1318-0A	16
A1035-0A	4	L1026-0A	4	L1116-0A	8	L1280-0B	12	L1319-0A	16
A1038-0A	4	L1027-0A	4	L1117-0A	8	L1282-0B	12	L1330-0A	10
A1061-0A	6	L1028-0A	4	L1118-0A	8	L1283-0A	12	L1331-0A	10
A7000-0A	24	L1036-0A	4	L1119-0A	10	L1285-0B	6	L1332-0A	10
A7001-0A	24	L1037-0A	4	L1122-0A	16	L1286-0A	12	L1333-0A	10
A7010-0A	24	L1043-0B	4	L1125-0A	16	L1287-0A	12	L1334-0B	10
A7010-1A	24	L1052-0A	2	L1126-0A	16	L1289-0A	14	L1335-0A	10
A7010-2A	24	L1060-0A	6	L1127-0A	16	L1290-0A	14	L1336-0A	10
A7011-0A	24	L1062-1A	6	L1132-0A	2	L1291-0A	14	L4010-0A	20
A7012-0A	24	L1063-0A	2	L1140-0A	8	L1295-0A	14	L4011-0A	20
A7012-1A	24	L1070-0B	6	L1142-0A	8	L1296-0A	14	L4012-0A	20
A7050-0A	24	L1074-0B	6	L1173-0A	16	L1297-0A	14	L4013-0A	20
B1050-0A	24	L1080-0A	6	L1180-0A	12	L1298-0A	14	L4014-0A	20
B1090-1A	6	L1099-0A	8	L1181-0A	12	L1299-0A	14	L4020-0A	20
B1091-0A	6	L1100-0A	8	L1184-0A	12	L1301-0A	18	L4021-0A	20
B1284-0A	6	L1101-0A	8	L1185-0B	12	L1304-0A	18	L4027-0A	20
B7025-0A	24	L1102-0A	8	L1186-0A	12	L1305-0A	18	L4040-0A	20
B7060-0A	24	L1103-0A	8	L1187-0A	12	L1306-0A	18	L4043-0A	20
B7070-1A	24	L1104-0A	8	L1188-0A	12	L1310-0A	16	L4044-0A	20
EJ1092-0A	6	L1105-0A	8	L1191-0A	18	L1311-0A	16	L4045-0A	22

CS-335BH 零件號碼與頁數對照 NUMERICAL PARTS-LIST

零件號碼 PARTS NO.	頁數 PAGE	零件號碼 PARTS NO.	頁數 PAGE	零件號碼 PARTS NO.	頁數 PAGE	零件號碼 PARTS NO.	頁數 PAGE	零件號碼 PARTS NO.	頁數 PAGE
L4046-0A	20	WC069002	2	ZMK08002	2	ZSB09044	22	ZSN16002	4
L4047-0A	22	XA300020	6	ZMK08004	22	ZSB11003	6	ZSQ16001	24
L4048-0A	22	XA300030	6	ZML04002	14	ZSB11015	4	ZUB12001	16
L4110-0A	2	XA300050	6	ZML05002	18	ZSB11030	20	ZUK12001	12
L4111-0A	2	XB111005	8	ZML06001	24	ZSB11036	12	ZUR12001	12
L4115-0A	16	YB030016	10	ZMR04001	22	ZSB11037	12,16		
L6030-0A	2	YD030018	12	ZMR06001	14	ZSB11039	22		
L6050-0A	22	ZMA05003	20	ZMT05001	24	ZSB12002	16		
L6051-0A	22	ZMA06006	10	ZSA11004	20	ZSB12021	6		
L6055-0A	22	ZMA06007	20	ZSA11007	12	ZSB12022	12		
L6056-0A	22	ZMA06009	10,20	ZSA15017	6,18	ZSB12024	8		
L6057-0A	22	ZMB04018	22	ZSA15018	10	ZSB12025	18		
L6058-0A	22	ZMB04019	22	ZSA15020	6,8	ZSB12026	22		
L6059-0A	22	ZMB05009	18	ZSA15021	16	ZSB15009	20		
L6060-0A	22	ZMB06005	16	ZSA15028	14	ZSB16010	8		
L6061-0A	22	ZMB06006	20	ZSA16010	22	ZSC09006	2, 16, 22		
L6062-0A	22	ZMB06008	10	ZSA16022	8,12	ZSD11001	6		
L6100-0A	20	ZMB07002	8	ZSA16026	8	ZSG09004	4		
L6105-0A	20	ZMB07003	10	ZSA16027	16	ZSG09005	4		
L7006-0A	20, 24	ZMC02501	22	ZSA16029	8	ZSG09015	12		
L7100-0A	24	ZMG06007	18	ZSB06002	6	ZSG12017	2		
WA049005	14	ZMG06008	12	ZSB06003	4	ZSH16004	14		
WA049006	22	ZMG07001	2	ZSB08002	6	ZSJ16002	20		
WA059002	6	ZMH06005	8	ZSB09002	6	ZSK11012	12		
WA059003	24	ZMH06006	10,20	ZSB09008	4	ZSK16012	16		
WA069005	24	ZMJ04001	22	ZSB09011	2	ZSL09001	4		
WA089011	14	ZMJ05002	14	ZSB09022	2	ZSL16006	16		
WA089012	22	ZMK06001	14	ZSB09036	2	ZSL16009	24		