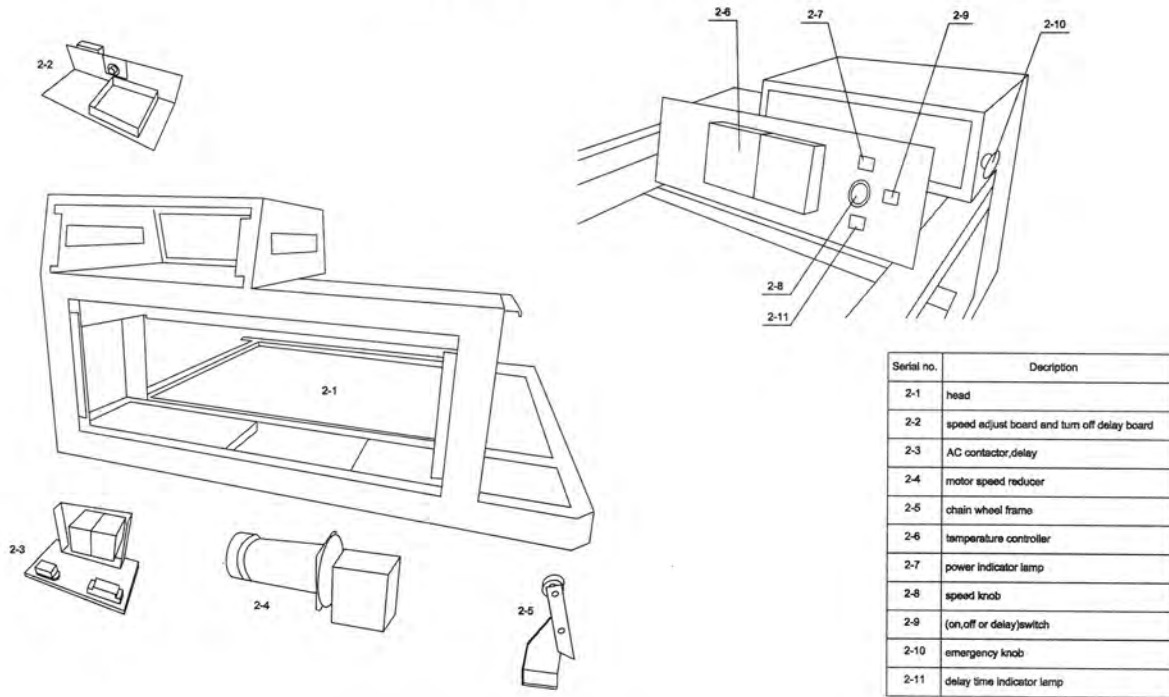
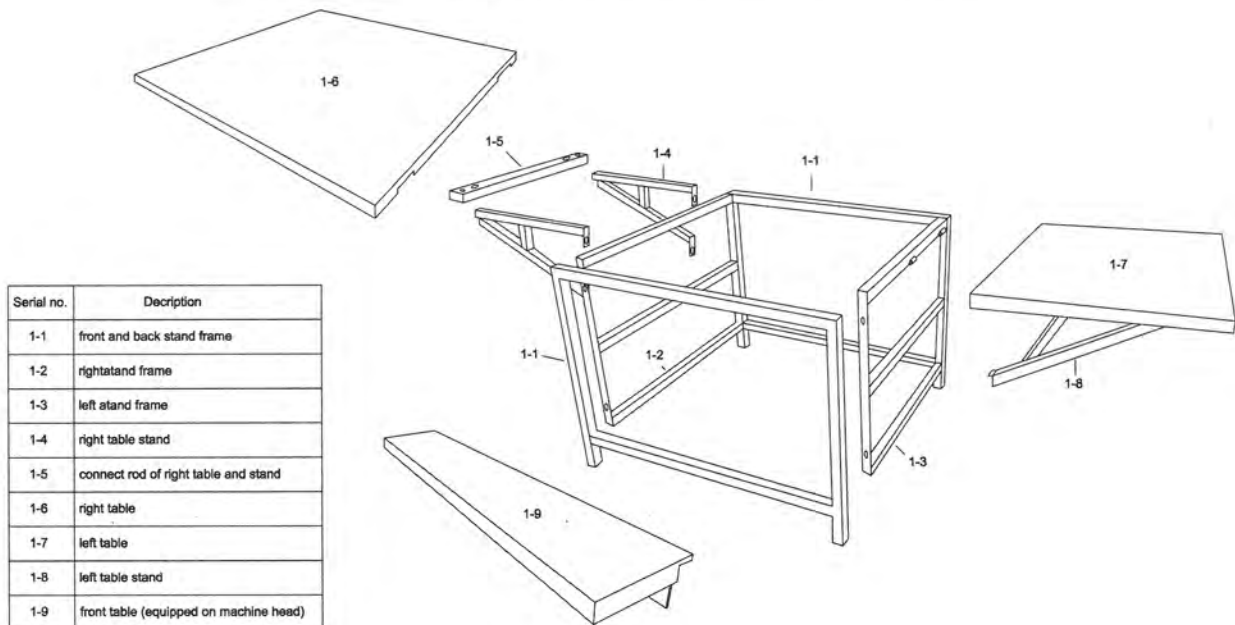


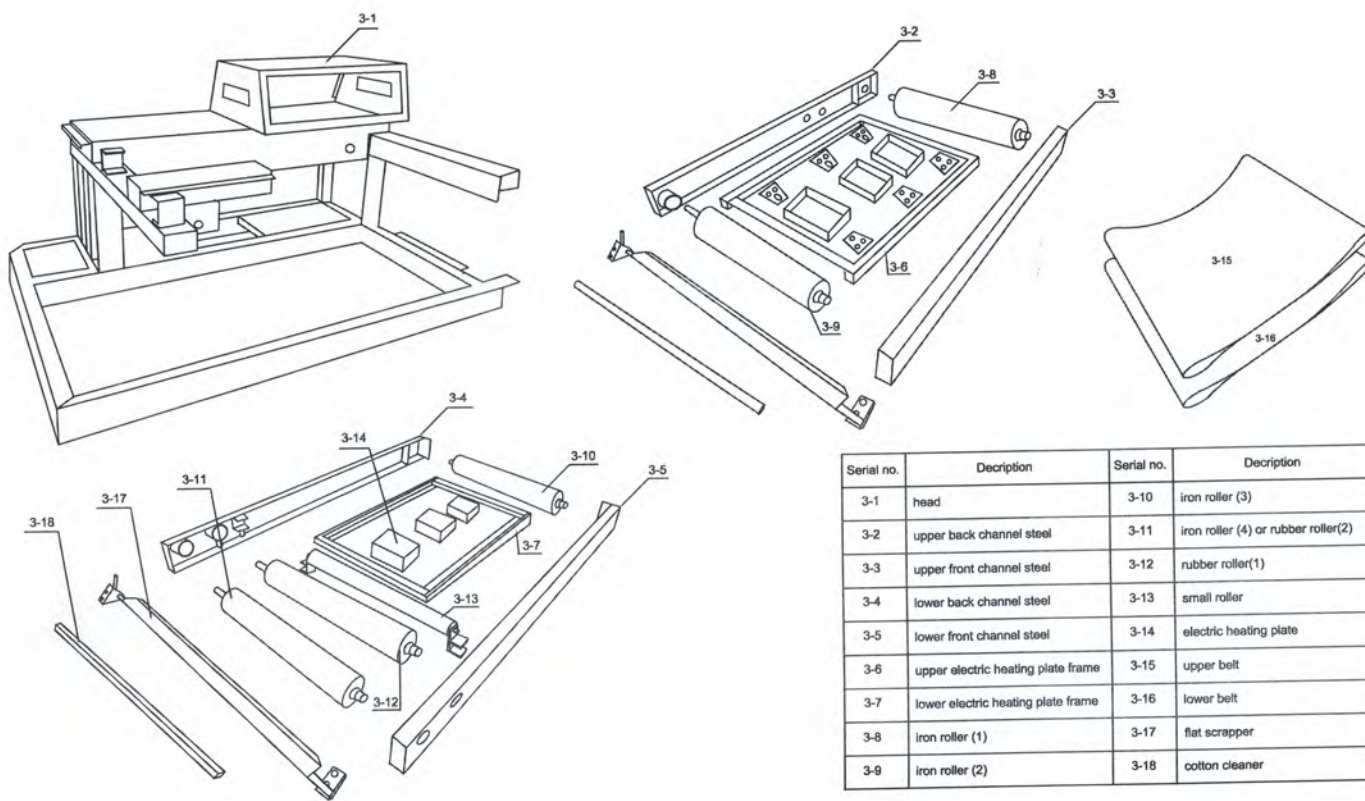
SR300-SR600 PARTS DIAGRAM



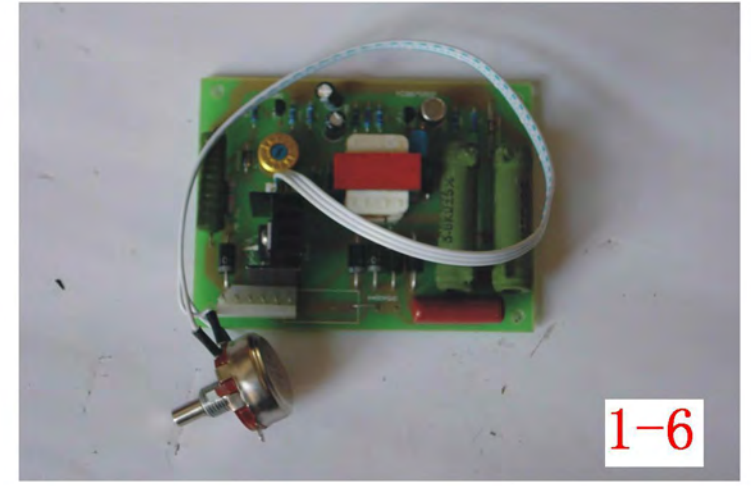
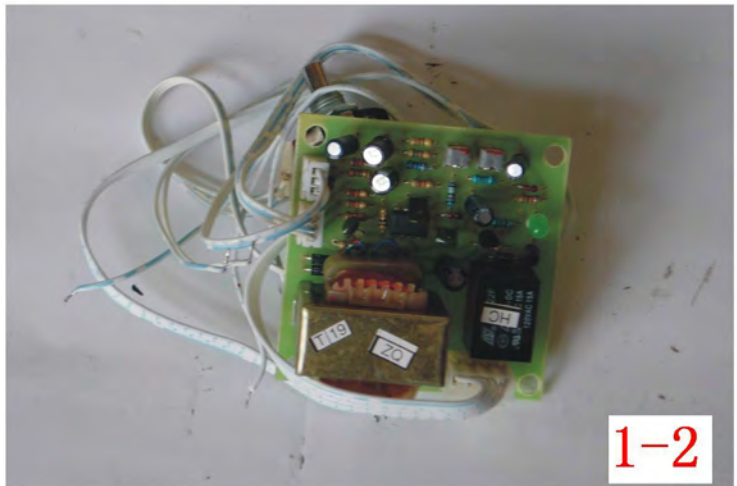
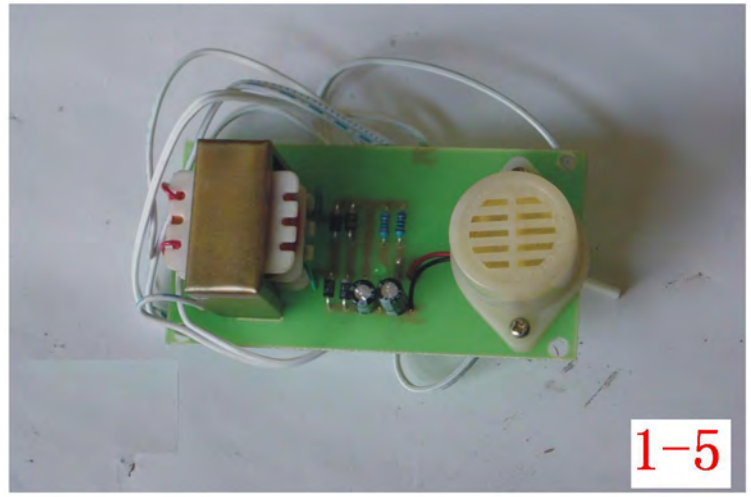
SR300-SR600 STAND INSTALLATION DIAGRAM

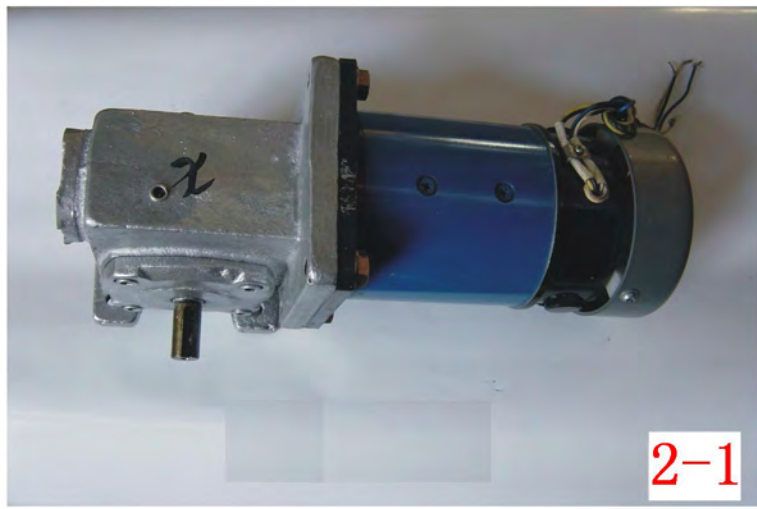


SR-300, SR-400, SR-500, SR-600 PARTS DIAGRAM



Serial no.	Description	Serial no.	Description
3-1	head	3-10	iron roller (3)
3-2	upper back channel steel	3-11	iron roller (4) or rubber roller(2)
3-3	upper front channel steel	3-12	rubber roller(1)
3-4	lower back channel steel	3-13	small roller
3-5	lower front channel steel	3-14	electric heating plate
3-6	upper electric heating plate frame	3-15	upper belt
3-7	lower electric heating plate frame	3-16	lower belt
3-8	iron roller (1)	3-17	flat scrapper
3-9	iron roller (2)	3-18	cotton cleaner





2-1



2-5



2-2



2-6



2-3



2-7



2-4



2-8



3-1



3-4



3-2



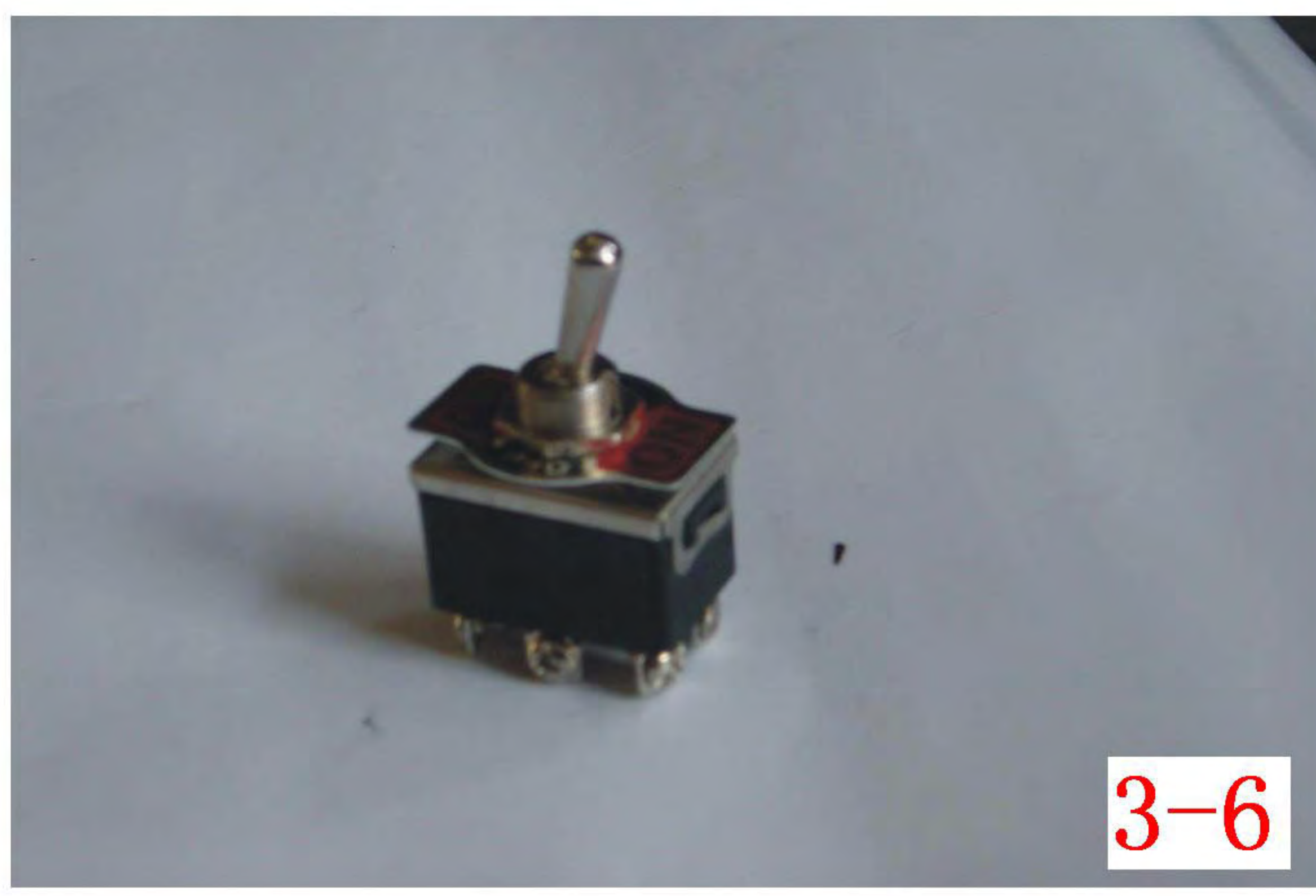
3-5



3-3



3-7



3-6