

使用说明

YJ-125工业裁剪机具有功率大,裁布厚,重量轻等特点,是服装、皮革、鞋帽、制伞和包装纸业的首选之一。

主要技术参数

- 1、刀片尺寸: $\Phi 125\text{mm}$
- 2、刀片形状: 八角
- 3、裁剪厚度: 40mm
- 4、电 压: 220V/110V
- 5、攻 率: 350W

使用方法:

- 1、用有安全接地的插座电源以防触电,注意电压是否与本机电压相符
- 2、刀片不锋利时轻按砂轮架按钮进行修刀,不要用力过猛。
- 3、当发觉刀磨不锋利时,请把砂轮卸下在砂布纸上磨去表面的油渍和纤维,再装上即可。
- 4、定时给润滑器上油
- 5、定时清理刀片后面和下刀内的纤维和碎片,延长电剪的使用寿命。
- 6、刀片磨小后要调节下刀的角度或更换刀片,达到最佳裁剪效果。

注意事项

- 1、严禁裁断和用力拉拽电源线。
- 2、严禁堵塞排风口。
- 3、严禁把手和身体接触高速运转的刀片。
- 4、维修和维护机器时,请断开电源。

MANUAL BOOK

YJ-125 Electric cutting machine is powerful motor cutting machine, low noise, little vibration, good stability. Apply to clothing, Leather, shoes, hats, umbrella, and Packaging Paper

Main technical parameters

- 1.blade size: $\Phi 125\text{mm}$
- 2.blade shape: eight sides
- 3.cutting height:40mm
- 4.voltage:220V/110V
- 5.Power:350W

Use shoot:

- 1.Safe to use a grounded outlet power supply, pay attention to whether the voltage is the voltage in line with the machine to avoid shock.
- 2.Blade is not sharp when you touch a button to grind the knife, do not force excessive.
- 3.When you discovered that a knife is not sharp grinding, please remove the wheel then use the emery paper, refining the stone stand on the surface of grease and fiber, and then can be loaded.
- 4.Timing devices to lubricate oiling
- 5.Regular cleaning behind and under the knife blade inside the fibers and debris, extending the service life of electric scissors
- 6.After grinding a small blade to adjust or change the angle of the lower knife blade, to achieve the best cutting results.

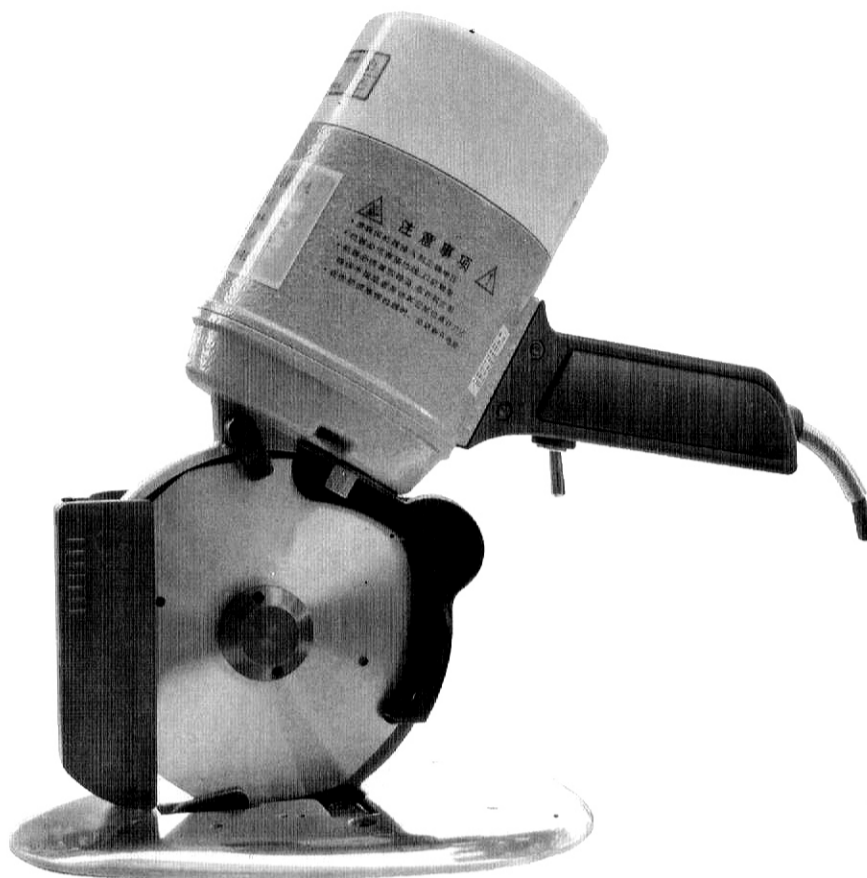
CAUTIONS:

- 1.Prohibited pull the power cord hardly and do not cut off the wire.
- 2.Non-clogging air vents
- 3.Physical contact the knife is strictly prohibited when the machine running

YJ-125 工业裁剪机

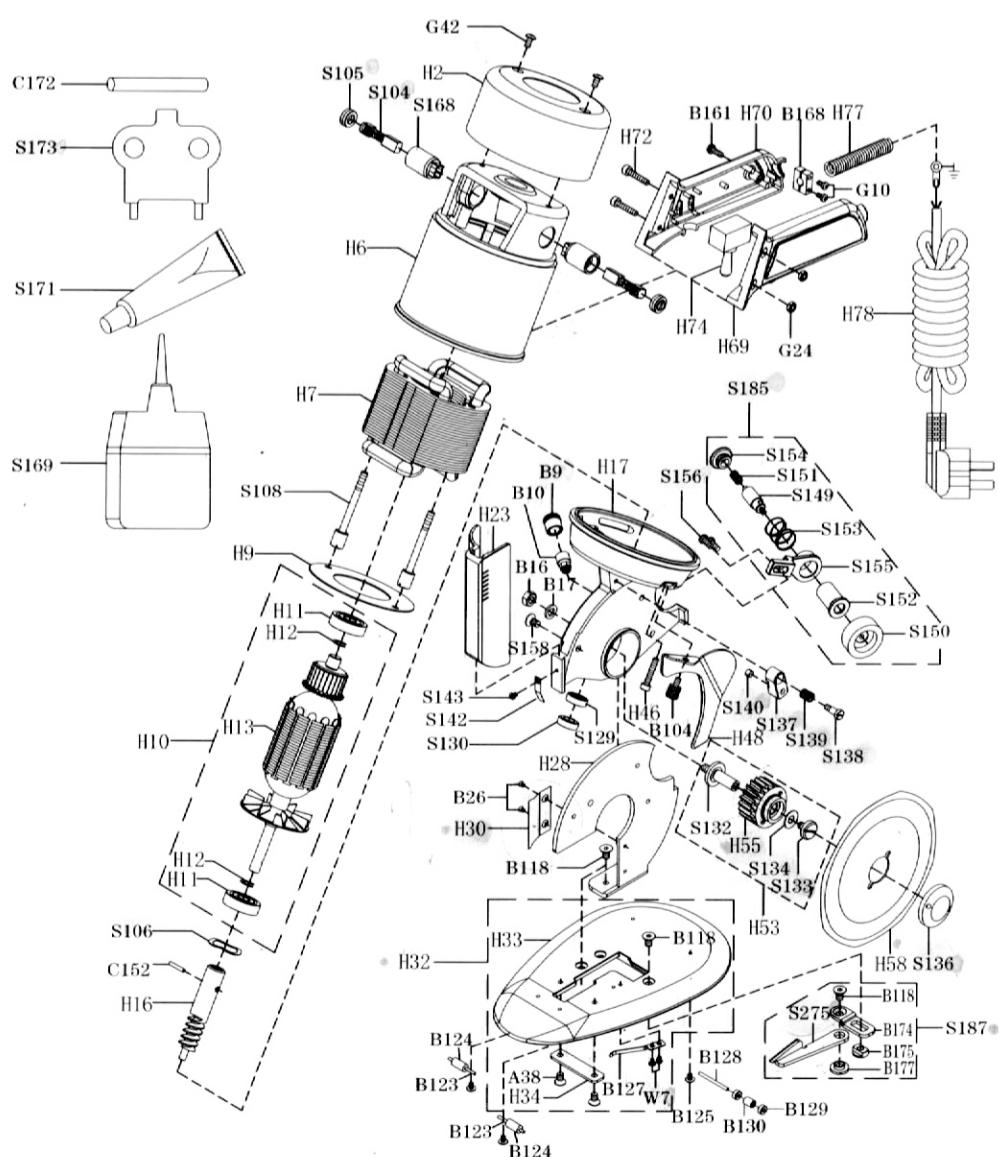


ELECTRIC CUTTING MACHINE



立体装配图

Three dimensional assembly picture



序号	中文名称	英文名称
G42	M4x8十字圆头螺丝	Standard Screw
H2	拉风盖	Air Guider Cover
S105	碳刷盖	Carbon Brush Cap
S104	碳刷	Carbon Brush
S168	碳刷套	Carbon Brush Housing
H6	电机铝壳	Motor Housing
H7	定子	Stator
S108	定子螺丝	Stator Screw
H9	空气导电圈	Air Guider Washer
H10	转子组件	Rotor Assembly
H11	6000轴承	6000 Bearing
H12	$\Phi 10$ 轴用挡圈	Bush
H13	转子	Rotor
S106	$\Phi 26$ 波垫	Wave Washer
C152	$\Phi 2.5$ 开口销	Open Pin
H16	蜗杆	Drive Gear
H17	齿轮盒	Gear Housing
B9	油杯帽	Oil Cup Cap
B10	油杯	Oil Cup
B16	M6螺母	M6 Nut
B17	$\Phi 6$ 平垫	Flat Washer
S158	M4x8十字沉头螺丝	Standard Screw
H23	护刀架	Saft Guide
S142	护刀架弹片	Saft Guide Spring
S143	M2x3十字沉头螺丝	Standard Screw
S129	625轴承	625 Bearing
S130	轴承盖	Bearing Cover
H28	机头导向架	Standard
B26	M2.5x3十字沉头螺丝	Standard Screw
H30	分布片	Guide Plate
B118	M5x6.3内六角沉头螺丝	Standard Screw
H32	底座组件	Base Plate Assembly
H33	底座	Base Plate
H34	下刀支撑块	Lower Blade Holder
B123	长滚子轴	Long Roller Shaft
B124	长滚子	Long Roller
A38	M4x8十字沉头螺丝	Standard Screw
B127	下刀弹片	Lower Blade Spring
W7	M3x3十一半圆头螺丝	Standard Screw
S187	下刀组件	Lower Blade Assembly
B174	下刀调节块	Lower Blade Adjuster
B175	调节块螺母	Nut
B177	下刀螺母	Lower Blade Nut
S275	下刀	Lower Blade
B125	M3x5带发兰螺丝	Standard Screw
B128	滚轴	Roller Shaft
B130	滚子隔套	Roller Collar
B129	滚子	Roller

序号	中文名称	英文名称
H46	M4x30内六角螺丝	Standard Screw
B104	安全螺丝	Screw
H48	安全片	Safety Plate
S138	润滑器螺丝	Oiler Screw
S139	润滑器弹簧	Oiler Spring
S137	润滑器	Oiler
S140	油毡	Oil Felt
H53	蜗轮组件	Worm Wheel Assembly
S132	蜗轮轴	Worm Wheel Shaft
H55	蜗轮	Worm Wheel
S134	紫铜垫圈	Copper Washer
S133	蜗轮螺丝	Screw
H58	刀片	blade
S136	刀片帽	blade Screw
S156	M4x12一字圆头螺丝	Standard Screw
S185	砂轮架组件	Stone Holder Assembly
S154	砂轮按钮	Grind Button
S151	内轴弹簧	Inner Shaft Spring
S149	砂轮内轴	Inner Shaft
S153	外轴弹簧	Out Shaft Spring
S155	砂轮手臂	Grind Arm
S152	砂轮外轴	Out Shaft
S150	砂轮	Stone
H69	手柄左块	Handle Left Plate
H70	手柄右块	Handle Right Plate
B161	M3x16十字圆头自攻螺丝	Standard Screw
H72	M4x2.2内六角螺丝	Standard Screw
G24	M4x3.2螺母	Nut
H74	扭子开关	Switch
B168	压线块	Cable Press Plate
G10	M3x10一字开口自攻螺丝	Standard Screw
H77	护线簧	Cable Spring
H78	电源线	Cable
C172	刀片松紧销	Blade Pin
S173	刀片帽扳手	Spanner
S171	润滑油	Grease Oil
S169	加油器	Oil Feeder