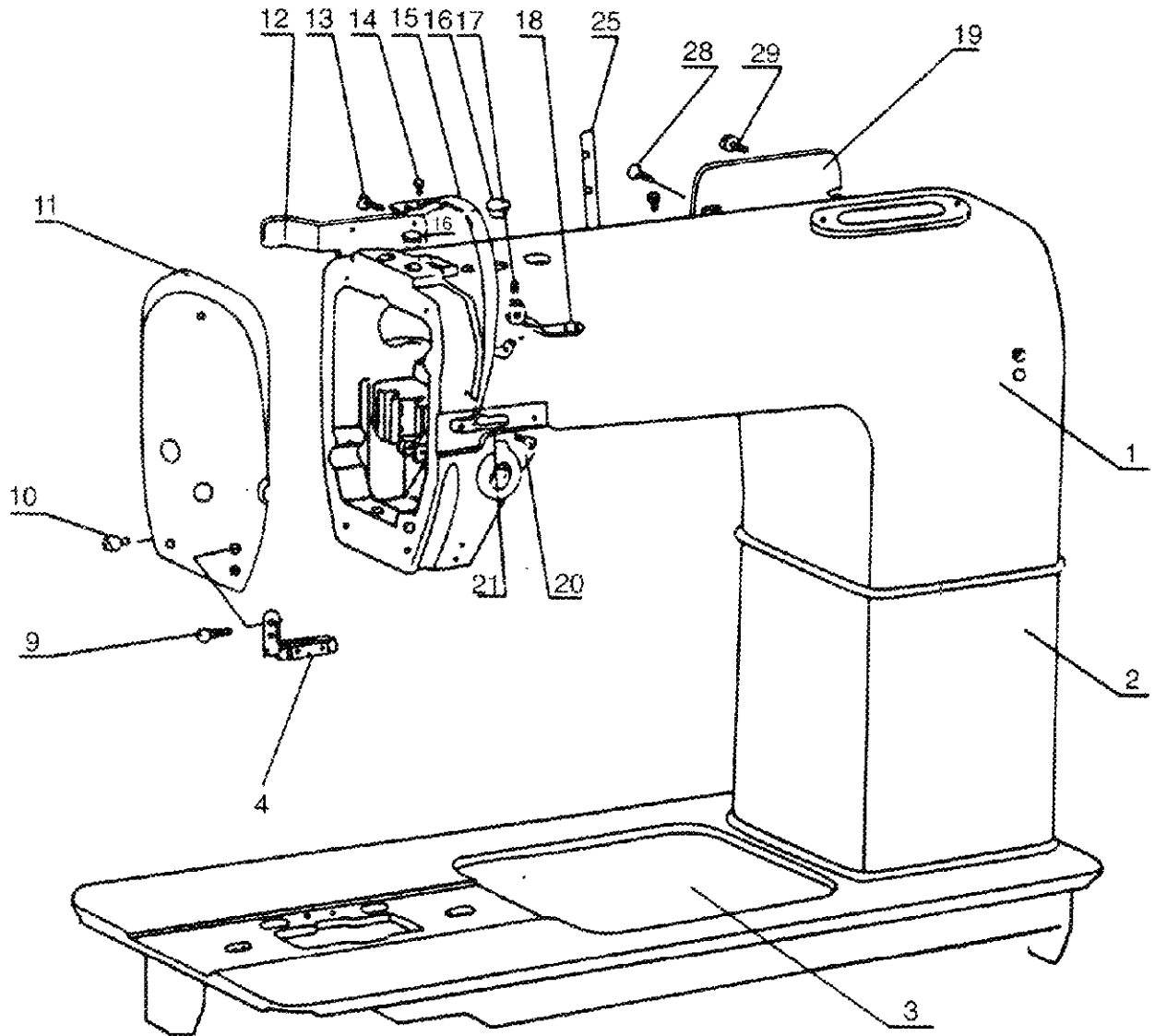


Каталог деталей
серия 6810, 6820

› —“ Æ“ ÆÕ

1、 Arm-bed & Its Accessories.....	1~2
2、 Thread Tension & Adjust Mechanism.....	3~4
3、 Needle Bar & Balance Mechanism.....	5~6
4、 Arm Shaft & Vertical Shaft.....	7~8
5、 Stitch Length Regulator & Reverse Feed Mechanism...	9~10
6、 Presser Mechanism.....	11~12
7、 Feed Mechanism.....	13~14
8、 Post-bed Shaft Parts.....	15~17
9、 Semi-automatic Lubrication.....	18
10、 Accessories.....	19

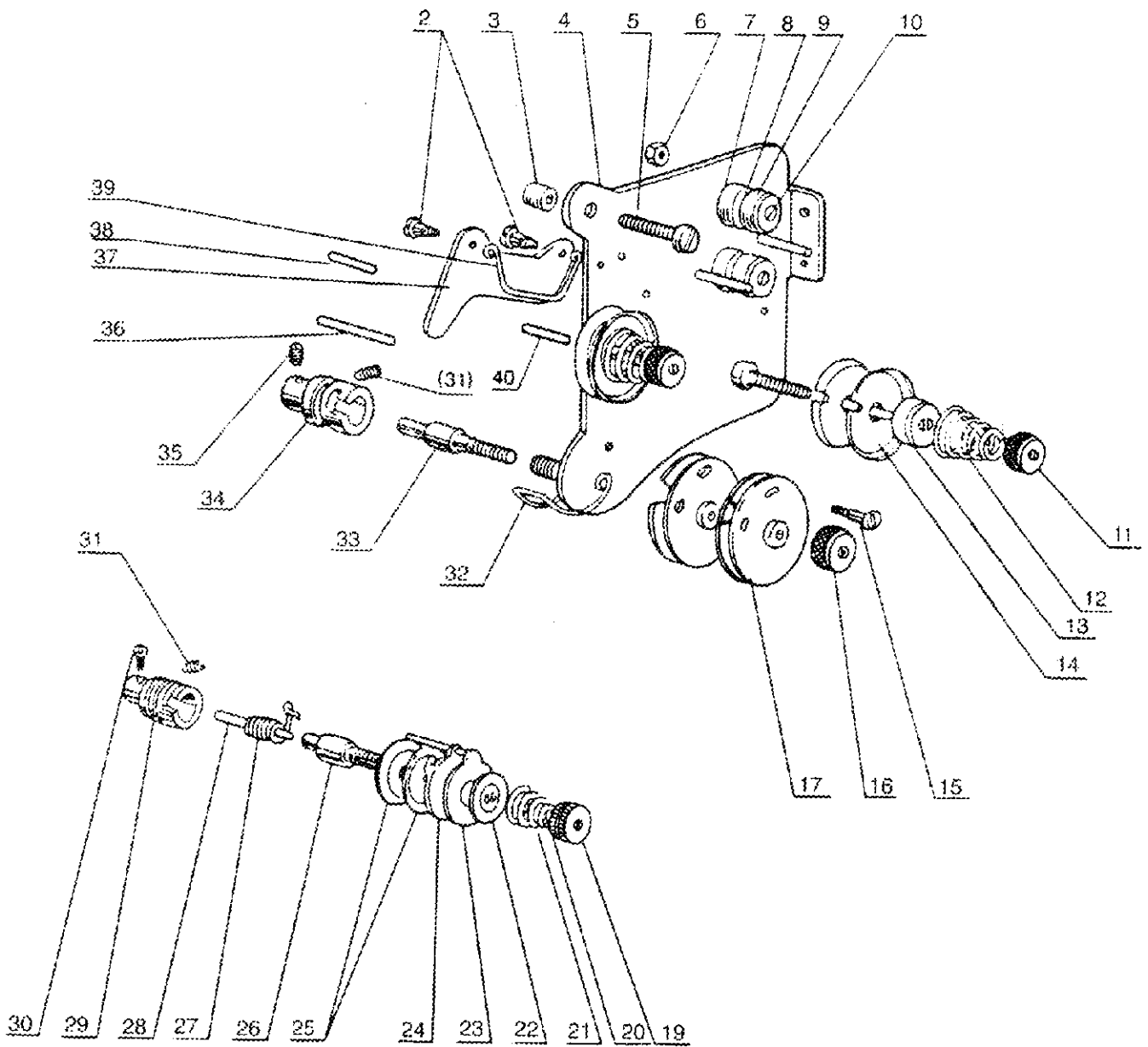
1, Arm-bed & Its Accessories



1. Arm-bed & Its Accessories

No.	Ref. No.	Name	Single	Double
1	6810T1-001A1	arm	1	1
2	6810T1-001A2	arm stand	1	1
3	6810T1-001A3	bed	1	1
4	6810T1-002	oil hook	1	1
9	6810T1-002B1	oil hook screw	1	1
10	6810T1-003C1	face plate screw	3	3
11	6810T1-003	face plate	1	1
12	6810T1-004	arm side plate	1	1
13	6810T1-004D1	screw	1	1
14	6810T1-005E1	screw	1	1
15	6810T1-005	thread take up spring cover	1	1
16	6810T1-006	oil plug	1	1
17	628DT1-001	screw	1	
18	6810T1-007	three hole thread guide	1	
19	6810T1-008	back cover	1	1
20	6810T1-009B1	screw	1	1
21	6810T1-009	thread guide at arm center	1	1
25	6810T1-010	thread pole	1	2
28	6810T1-008C1	screw	1	1
29	6810T1-008C2	screw	1	1

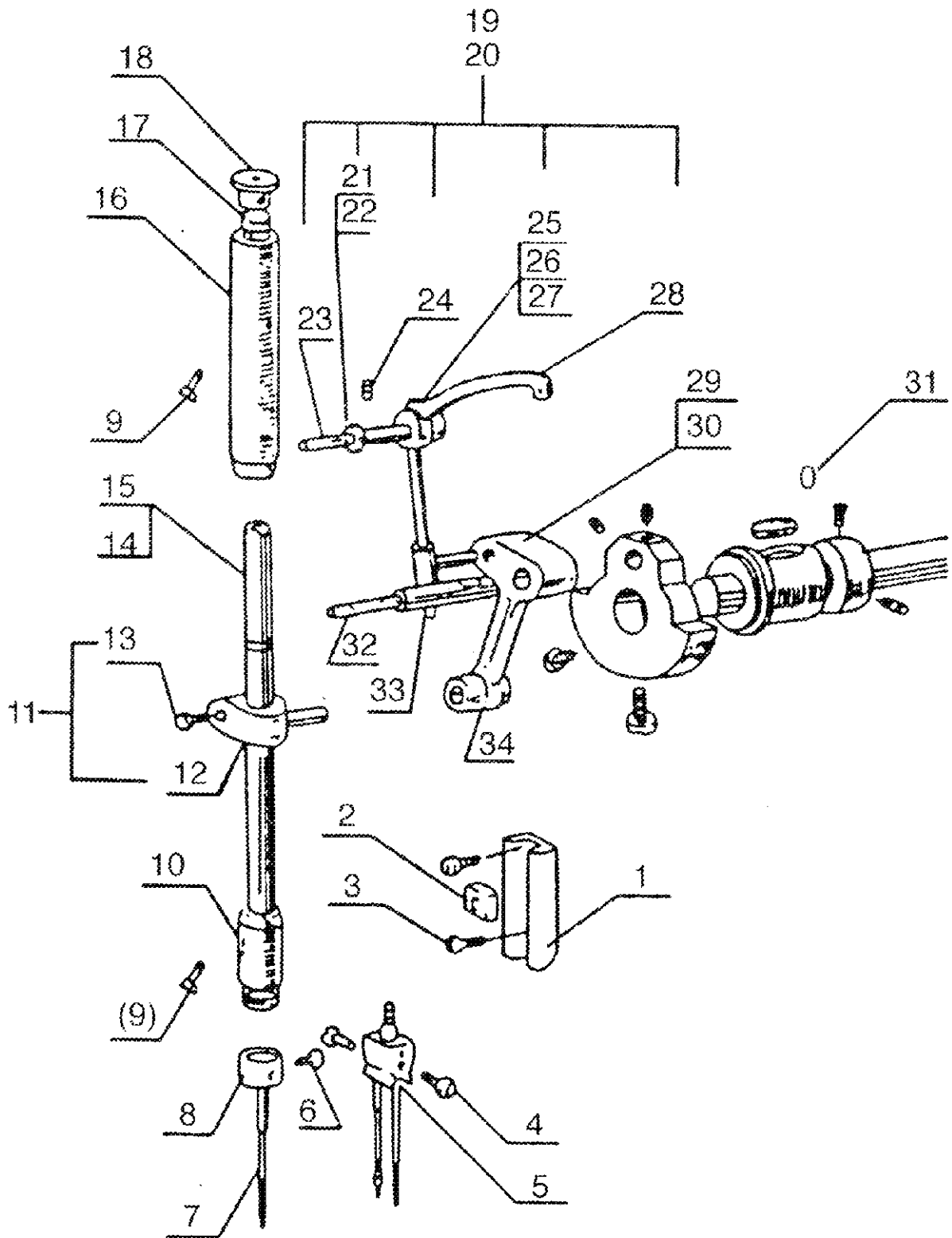
2. Thread Tension & Adjust Mechanism



2. Thread Tension & Adjust Mechanism

No.	Ref. No.	Name	Single	Double
2	6820T:-001A:	tension releasing pin		2
3	6820T:-002	screw cover		1
4	6820T:-003	thread tensioner		1
5	6820T:-003B:	screw		1
6	6820T:-004C:	nut		2
7	6820T:-004C:	thread hold		2
9	6820T:-004C:	spring		2
10	6820T:-004C:	screw		2
11	6820T:-005D:	nut		2
12	6820T:-005D:	tension spring		2
13	6820T:-006	tension release disc		1
14	6820T:-005	tension disc		4
15	6820T:-007E:	screw		1
16	6820T:-005D:	nut		1
17	6820T:-008	thread guide disc		2
19	6810T:-005D:	nut	1	
20	6810T:-005D:sa	tension nut stop	1	
21	6810T:-005D:	spring	1	
22	6810T:-009	tension releasing disc	1	
23	6810T:-010	thread limiter	1	
24	6810T:-005D:	tension press disc	1	
25	6810T:-011	tension disc	2	
26	6810T:-011A:	screw	1	
27	6810T:-012	thread take up spring	1	
28	6810T:-013	tension releasing pin	1	
29	6810T:-014	tension bed	1	
30	6810T:-014B:	screw	1	
31	628DT:-002	screw	1	1
32	6810T:-015	thread take up spring	1	1
33	6820T:-004C:	screw		1
34	6820T:-016	tension bed		1
35	6820T:-016D:	screw		1
36	6820T:-017	tension releasing pin		1
37	6820T:-018	disc		1
38	6820T:-019E:	releasion pin		1
39	6820T:-020	spring		1
40	6820T:-019E:	releasion pin		1

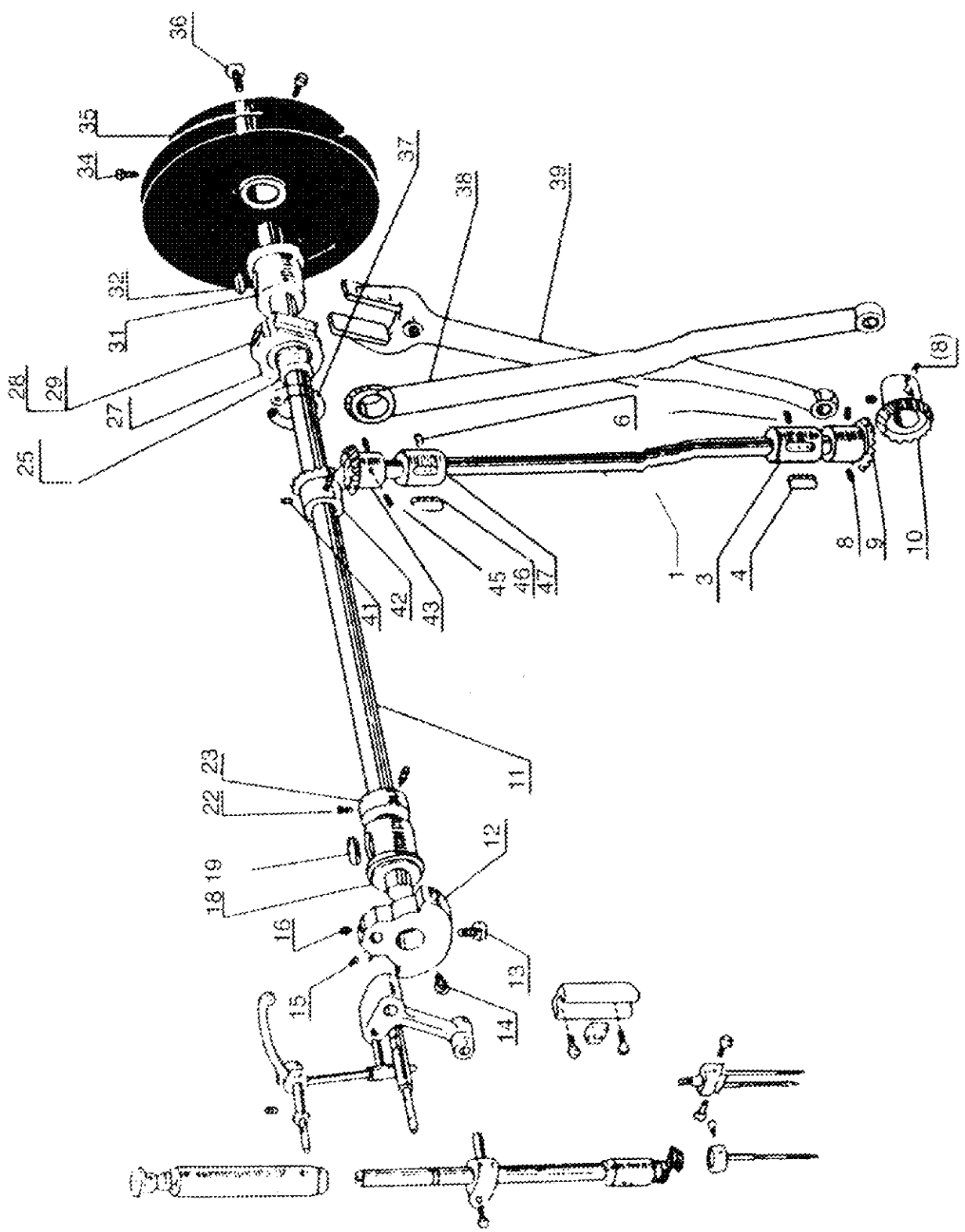
3. Needle Bar & Balance Mechanism



3. Needle Bar & Balance Mechanism

No.	Ref. No.	Name	Single	Double
1	628DT ₂ -018	sliding track	1	1
2	6810T ₃ -002	needle bar slide	1	1
3	628DT ₂ -019	sliding track screw	2	2
4	6820T ₃ -003B ₁	screw		2
5	6820T ₃ -003	needle clamp 1/16 & 3/32		1
6	6810T ₃ -004C ₁	screw	1	
7	6810T ₃ -005	needle DP × 5	1	2
8	6810T ₃ -004	needle thread hold	1	
9	628DT ₂ -009	screw	2	2
10	6810T ₃ -007	needle bar cover	1	1
12	6810T ₃ -008	needle bar connector	1	1
13	6810T ₃ -008D ₁	screw	1	
14	628DT ₂ -014	needle bar	1	
15	628DT ₂ -014	needle bar		1
16	6810T ₃ -009	needle bar cover	1	1
17	6810T ₃ -009A ₁	oil thread	1	1
18	6810T ₃ -010	needle bar oil cover	1	1
22	6810T ₃ -011	sliding pole pin	1	1
24	6810T ₃ -011B ₁	screw	1	1
25	6810T ₃ -012	sliding pole (810)	1	
28	6820T ₃ -012	sliding pole (820)		1
29	6810T ₃ -013	sliding pole connector	1	1
31	628DT ₂ -002	screw	1	1
32	6810T ₃ -015C ₁	oil thread	1	1
33	6810T ₃ -015	needle bar link pin	1	1
34	6810T ₃ -016	needle bar link	1	1

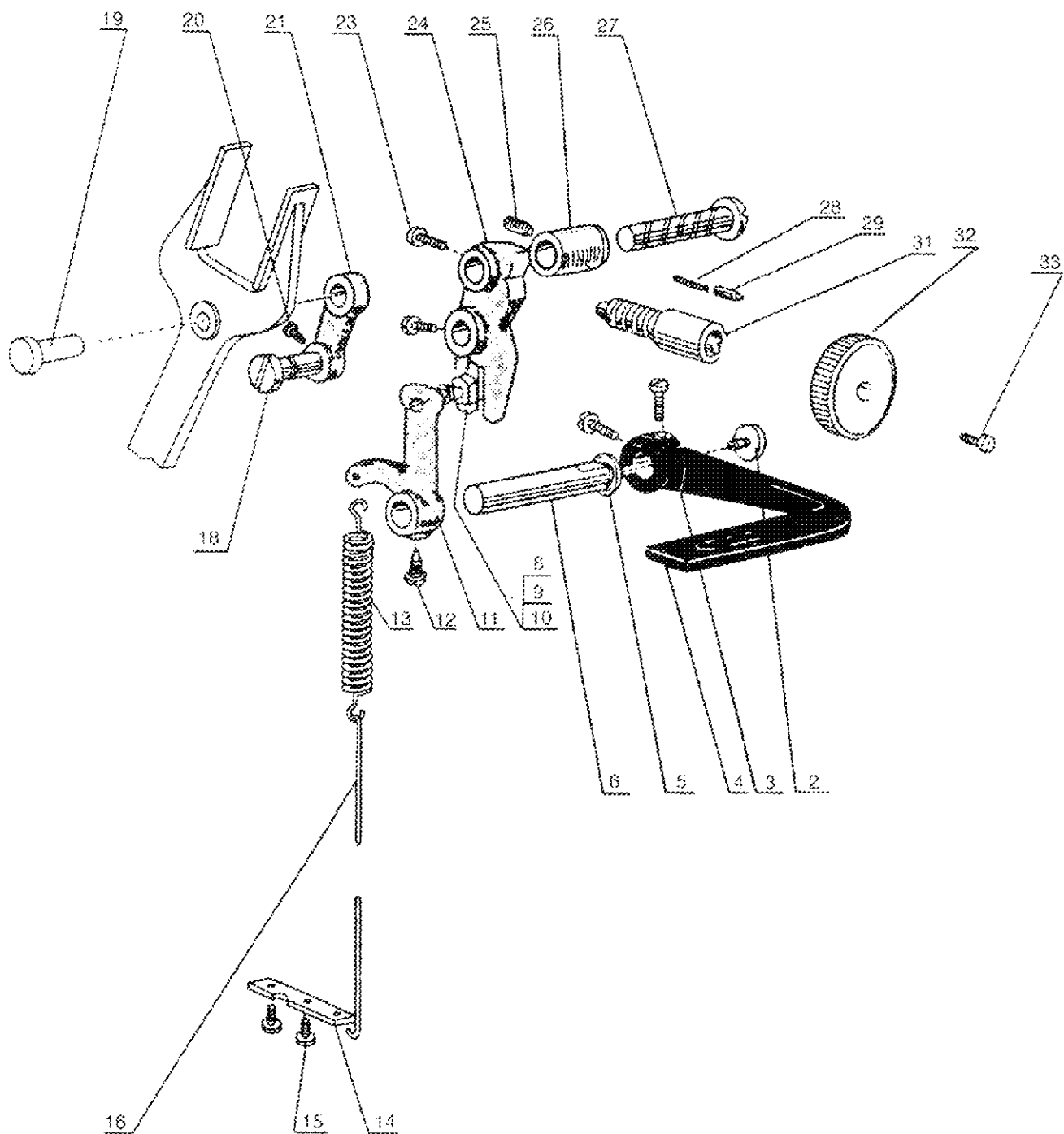
4, Arm Shaft & Vertical Shaft



4. Arm Shaft & Vertical Shaft

No.	Ref. No.	Name	Single	Double
1	6810T ₃ -001	vertical shaft	1	1
3	6810T ₃ -002	vertical shaft bushing	1	1
4	6810T ₃ -002A ₁	oil thread	1	1
6	628DT ₃ -002	screw	2	2
8	6810T ₃ -003B ₁	screw	2	2
9	628DT ₃ -010E ₃ b ₁	vertical shaft gear	1	1
10	628DT ₃ -010E ₃ b ₄	rotating hook shaft gear	1	1
11	6810T ₃ -003	arm shaft	1	1
12	6810T ₃ -004	needle bar crank	1	1
13	6810T ₃ -004C ₁	screw	1	1
14	6810T ₃ -004C ₂	screw	1	1
15	6810T ₃ -005D ₁	screw	1	1
16	6810T ₃ -005D ₂	screw	1	1
18	6810T ₃ -006	arm shaft bushing	1	1
19	6810T ₃ -006E ₁	oil thread	1	1
22	628DT ₂ -005B ₂	screw	2	2
23	6810T ₃ -007	arm shaft collar	1	1
25	6810T ₃ -008	feed eccentric	1	1
26	628DT ₁ -013	screw	2	2
27	628DT ₃ -009D ₁ a ₁	slide block	1	1
28	6810T ₃ -008B ₂	oil thread	1	1
29	6810T ₃ -009	spring	1	1
31	6810T ₃ -010	arm shaft bushing	1	1
32	6810T ₃ -010A ₁	oil thread	1	1
34	628DT ₃ -007C ₂	screw	2	2
35	6810T ₃ -011	balance wheel	1	1
36	6810T ₃ -011B ₂	screw	1	1
37	6810T ₃ -012	retaining ring	1	1
38	6810T ₃ -013	lifting crank	1	1
39	6810T ₃ -014	feed fork	1	1
41	6810T ₃ -015C ₁	screw	2	2
42	6810T ₃ -015C ₂	screw	1	1
43	628DT ₃ -010E ₂ a ₂	vertical shaft gear	1	1
45	6810T ₃ -016	screw	2	2
46	6810T ₃ -017	oil thread	1	1
47	6810T ₃ -018	vertical shaft bushing		

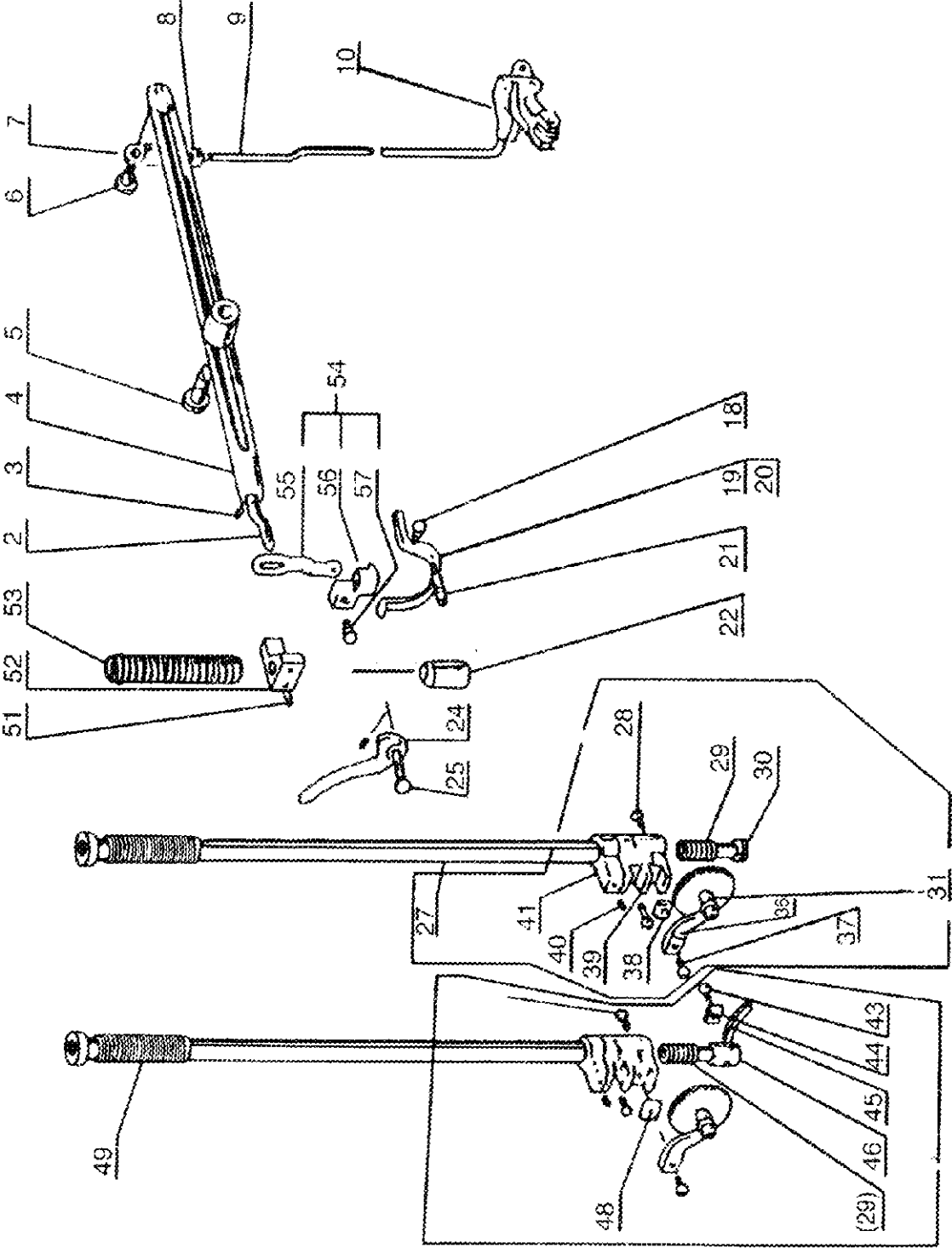
5. Stitch Length Regulator & Reverse Feed Mechanism



5. Stitch Length Regulator & Reverse Feed Mechanism

No.	Ref. No.	Name	Single	Double
2	628DTs-010D ₁	screw	1	1
3	628DTs-007C ₂	screw	2	2
4	628DTs-010D ₁	reverse feed lever	1	1
5	6810Ts-001	washer	1	1
6	6810Ts-002	reverse feed lever shaft	1	1
7	6810Ts-003	slide block	1	1
11	628DTs-012E ₁	reverse feed pole	1	1
12	628DTs-013	screw	1	1
13	628DTs-012E ₂	spring	1	1
14	6810Ts-004	spring bracket	1	1
15	628DTs-019	screw	2	2
16	6810Ts-004A ₁	spring hook	1	1
17	6810Ts-005B ₁	screw	1	1
18	6810Ts-006	feed connecting link pin	1	1
19	6810Ts-005B ₂	screw	1	1
20	6810Ts-007	screw	1	1
21	6810Ts-008	feed connecting link	1	1
23	6810Ts-009C ₁	screw	2	2
24	6810Ts-009	feed stand	1	1
25	628DTs-002	screw 3	1	1
26	6810Ts-009C ₂	feed stand pin cover	1	1
27	6810Ts-009C ₃	feed stand pin	1	1
28	6810Ts-010	lock spring	1	1
29	6810Ts-011	lock pin	1	1
31	6810Ts-012	screw	1	1
32	6810Ts-013	feed adjuster dial	1	1
33	6810Ts-013D ₁	screw	1	1

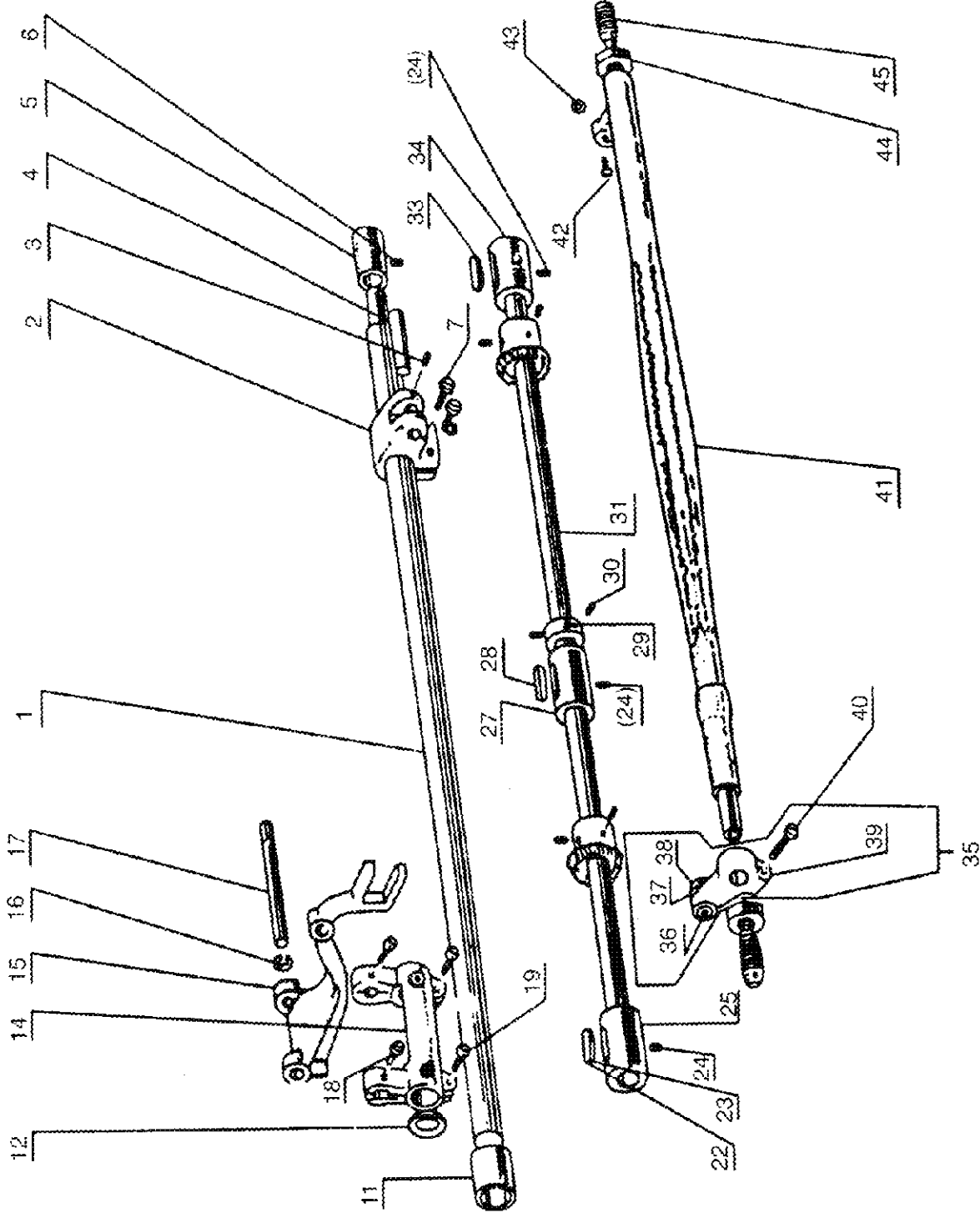
6. Presser Mechanism



6. Presser Mechanism

No.	Ref. No.	Name	Single	Double
2	6810T ₆ -001A ₁	knee lifter lever link pin	1	1
3	628DT ₁ -013	screw	1	1
4	6810T ₆ -001A	knee lifter lever	1	1
5	6810T ₆ -001A ₃	screw	1	1
6	6810T ₆ -002B ₁	screw	1	1
7	6810T ₆ -002B ₂	top bar connecter	1	1
8	6810T ₆ -002B ₃	screw	1	1
9	6810T ₆ -002	top bar	1	1
10	6810T ₆ -003	roll lever	1	1
18	6810T ₆ -004D ₁	tension release spring	1	1
19	6810T ₆ -004D ₂	tension release hook	1	
20	6820T ₆ -004D ₁	tension release hook		1
21	6810T ₆ -004D ₃	screw	1	1
22	6810T ₆ -005E ₁	presser bar bushing	1	1
23	628DT ₂ -009	screw	1	1
24	6810T ₆ -006	presser bar lifter	1	1
25	6810T ₆ -007	presser bar lifter pin	1	1
27	6810T ₆ -008	presser bar	1	1
28	6810T ₆ -009B ₁	screw	2	2
29	6810T ₆ -009B ₂	presser roll spring	1	1
30	6810T ₆ -009B ₃	spring stand	1	
31	6810T ₆ -009B	presser roll	1	1
36	6810T ₆ -009B ₄	presser roll plate	1	1
37	6810T ₆ -009B ₅	screw	1	1
38	6810T ₆ -009B ₄ -di	presser roll block	1	1
39	6810T ₆ -009B ₆	presser roll installer	1	1
40	628DT ₁ -013	screw	1	1
41	6820T ₆ -009B ₇	presser roll installer block		1
43	6820T ₆ -011A ₁	screw		1
44	6820T ₆ -011A ₂	presser foot plate		1
45	6820T ₆ -011	presser foot		1
46	6820T ₆ -011A ₃	presser foot stand		1
48	6820T ₆ -009B ₈	presser roll bearer		1
49	6810T ₆ -012	screw	1	1

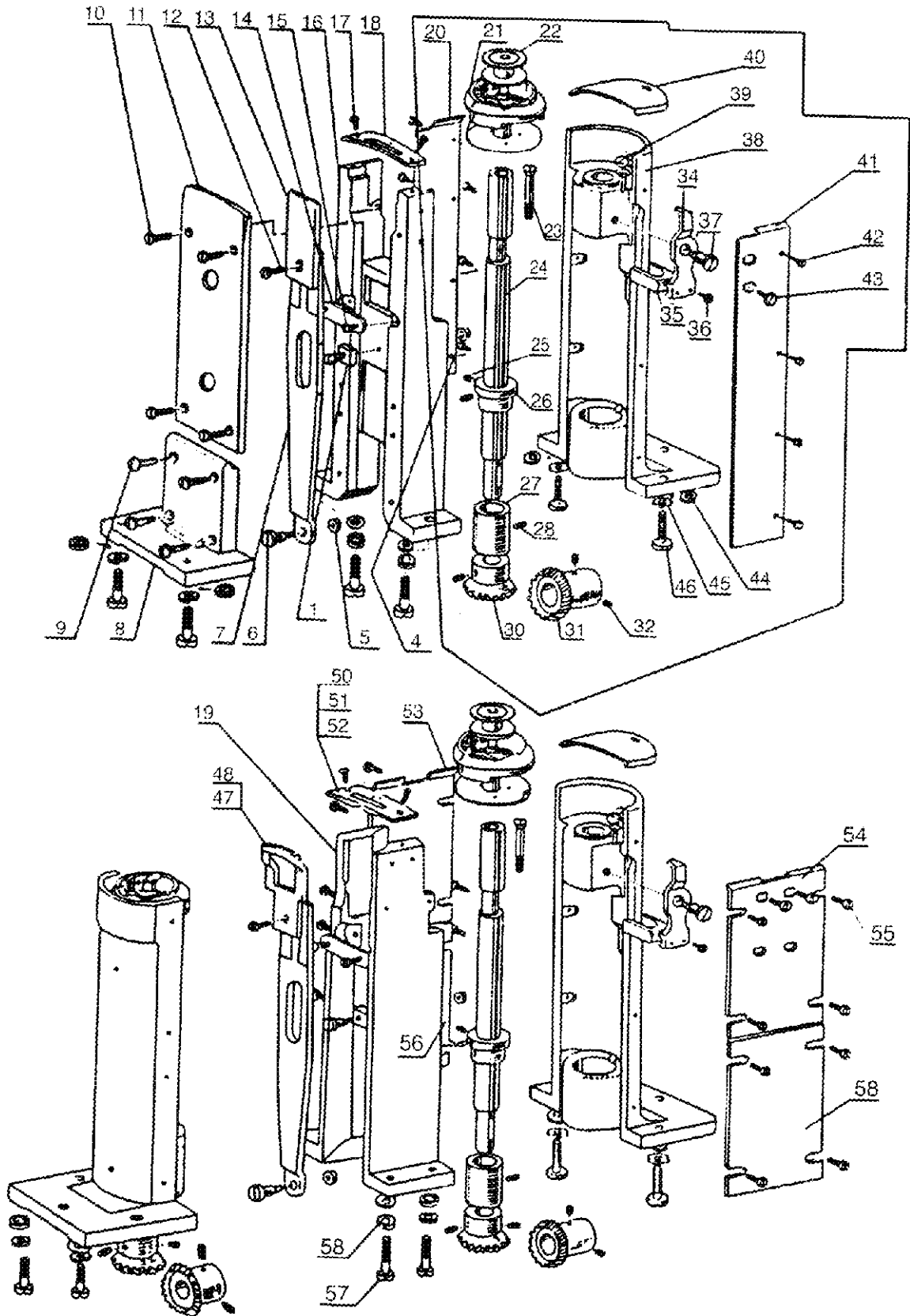
7. Feed Mechanism



7. Feed Mechanism

No.	Ref. No.	Name	Single	Double
1	6810T ₇ -001	feed shaft	1	1
2	6810T ₇ -002	feed crank	1	1
3	628DT ₁ -011	screw	1	1
4	6810T ₇ -002A ₂	feed crank pin	1	1
5	6810T ₇ -003	feed shaft bushing	1	1
6	628DT ₂ -002	screw	1	1
7	628DT ₆ -008D ₄	screw	2	2
11	6810T ₇ -004	feed shaft bushing	1	1
12	6810T ₇ -005C _{1a}	washer	1	1
14	6810T ₇ -005C ₁	feed bar stand	1	1
15	6810T ₇ -005	feed bar	1	1
16	6810T ₇ -005C _{2a}	stop ring	1	1
17	6810T ₇ -005C ₂	feed bar shaft	1	1
18	628DT ₂ -019	screw	2	2
19	628DT ₆ -008D ₄	screw	2	2
22	6810T ₇ -006A ₁	oil thread	1	1
24	628DT ₆ -008D ₄	screw	1	1
25	6810T ₇ -006	rotating hook shaft bushing	1	1
27	6810T ₇ -007	rotating hook shaft bushing	1	1
28	6810T ₇ -007B ₁	oil thread	1	1
29	6810T ₇ -008	washer	1	1
30	6810T ₇ -008A ₁	screw	2	2
31	6810T ₇ -009	rotating hook shaft	1	1
33	6810T ₇ -010C ₁	oil thread	1	1
34	6810T ₇ -010	rotating hook shaft bushing	1	1
36	6810T ₇ -011	feed lifting crank	1	1
37	6810T ₇ -012	feed lifting block	1	1
40	6810T ₇ -011B ₁	screw	1	1
41	6810T ₇ -013	feed lifting shaft	1	1
42	6810T ₇ -014C ₁	screw	1	1
43	6810T ₇ -014C ₂	nut	1	1
44	6810T ₇ -015D ₁	screw	2	2
45	6810T ₇ -015D ₂	screw	2	2

8. Post-bed Shaft Parts



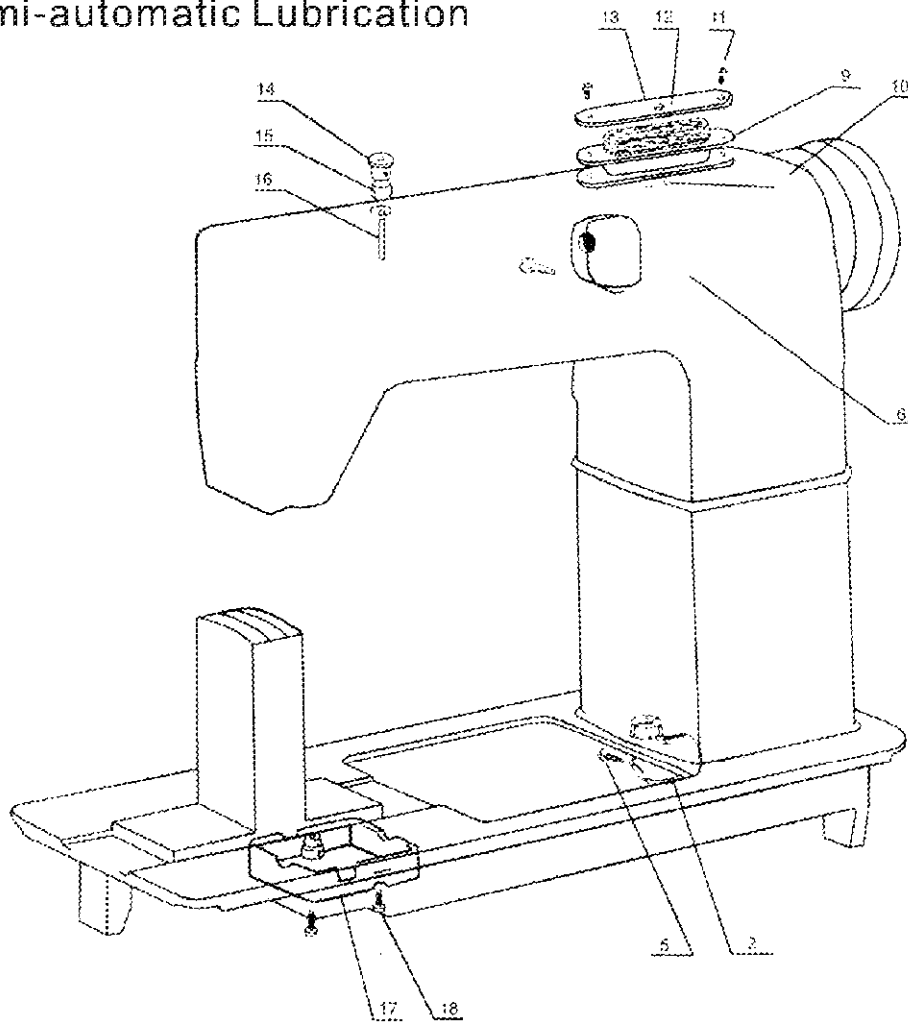
8. Post-bed Shaft Parts

No.	Ref. No.	Name	Single	Double
2	6810T _s -001	lever block	1	1
4	6810T _s -001A ₁	lever block nut	1	1
5	6810T _s -002B ₁	nut	1	1
6	6810T _s -002B ₂	screw	1	1
7	6810T _s -003	feed lever	1	1
8	6810T _s -004	angle stand	1	
9	628DT _s -008D ₄	screw	4	
10	628DT _s -019	screw	4	
11	6810T _s -005	post bed side plate	1	
12	6810T _s -006A ₁	screw	1	1
13	6810T _s -006	feed dog	1	
14	6810T _s -007	feed lever presser	1	1
15	6810T _s -007B ₁	screw	2	2
16	6810T _s -008	post bed stand	1	
17	6810T _s -009C ₁	screw	2	2
18	6810T _s -009	needle plate	1	
20	6810T _s -010	post bed cover	1	
21	6810T _s -011	rotating hook	1	2
22	6810T _s -012	bobbin	1	2
23	6810T _s -011D ₁	screw	1	2
24	6810T _s -011D ₂	rotating hook shaft	1	2
25	628DT _s -005B ₂	screw	2	4
26	6810T _s -011D ₄	washer	1	2
27	6810T _s -011D ₅	rotating hook shaft bushing	1	2
28	628DT _s -011	screw	1	2
30	6810T _s -011D ₇	rotating hook left gear	1	2
31	6810T _s -011D ₈	rotating hook right gear	1	2
32	6810T _s -011D ₉	screw	4	8
34	6810T _s -011D ₁₀	rotating hook positioner	1	2
35	6810T _s -011D ₁₁	rotating hook fork	1	2
36	6810T _s -011D _{12a}	screw	1	2
37	6810T _s -011D ₁₇	screw	1	2
38	6810T _s -011D ₁₃	rotating hook stand	1	2
39	6810T _s -011D ₁₄	oil thread	1	2
40	6810T _s -011D ₁₅	rotating hook cover	1	2
41	6810T _s -013	post bed cover(front)	1	
42	6810T _s -013E ₁	screw	8	

8. Post-bed Shaft Parts

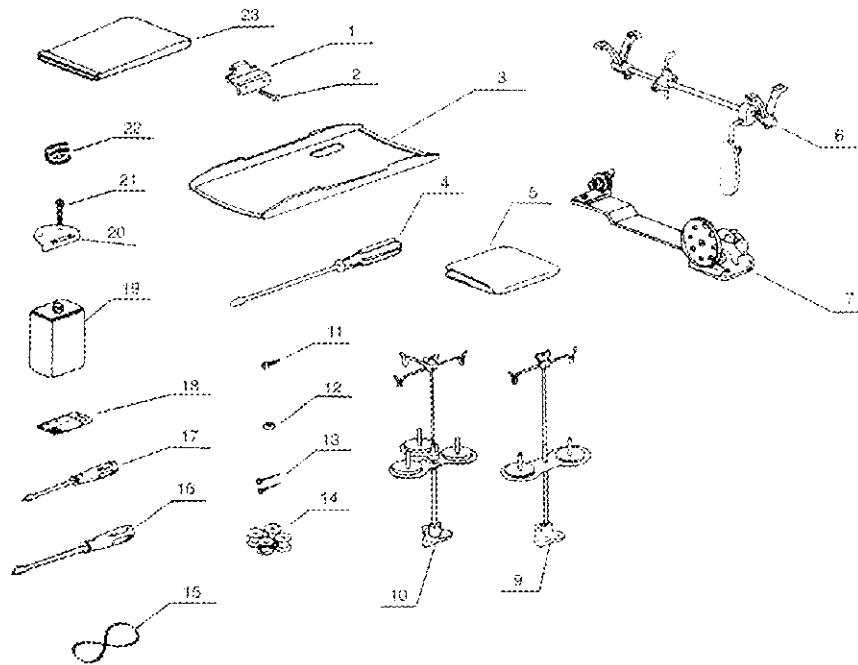
No.	Ref. No.	Name	Single	Double
43	6810Ts-013E ₃	screw	3	4
44	6810Ts-014	washer F 8	6	6
45	6810Ts-015	washer F 8	6	6
46	6810Ts-013E ₃	screw	6	5
47	6820Ts-016	feed dog		1
49	6820Ts-017	post bed stand		1
50	6820Ts-018	needle plate		1
53	6820Ts-017A ₁	post bed stand cover		1
54	6820Ts-017A ₂	post bed stand cover		1
55	6820Ts-017A ₃	screw		16
56	6820Ts-017A ₄	post bed cover(lower)		2
57	6820Ts-017A ₅	screw		1

9. Semi-automatic Lubrication



No.	Ref. No.	Name	Single	Double
2	6810T9-001	lower gear cover	1	1
5	6810T9-001A1	screw	1	1
6	6810T9-002	upper gear cover	1	1
9	6810T9-003	oil reservoir	1	1
10	6810T9-004	oil thread	1	1
11	6810T9-005	screw	2	2
12	6810T9-006	oil thread	1	1
13	6810T9-007	top cover	1	1
14	6810T9-008	arm shaft oil cover	1	1
15	6810T9-009	oil thread	1	1
16	6810T9-010	oil thread	1	1
17	6810T9-011	rotating hook gear cover	1	1
18	628DT9-008D4	screw	2	2

10. Accessories



No.	Ref. No.	Name	Single	Double
1	6810T ₁₀ -001	hinge of the table	1	1
2	6810T ₁₀ -002	screw	4	4
3	6810T ₁₀ -003	oil reservoir	1	1
4	6810T ₁₀ -004	screw driver	1	1
5	6810T ₁₀ -005	machine cover	1	1
6	6810T ₁₀ -006	knee controller	1	1
7	6810T ₁₀ -007	bobbin winder	1	1
9	6810T ₁₀ -008	thread stand (2)	1	
10	6820T ₁₀ -009	thread stand (3)		1
11	6810T ₁₀ -010	screw	2	2
12	6810T ₁₀ -011	washer	2	2
13	6810T ₁₀ -012	nail	10	10
14	6810T ₁₀ -012	bobbin	3	4
15	6810T ₁₀ -013	V-belt	1	1
16	6810T ₁₀ -014	screw driver	1	1
17	6810T ₁₀ -015	screw driver	1	1
18	6810T ₁₀ -016	needle	4	6
19	6810T ₁₀ -017	oil container	1	1
20	6810T ₁₀ -018	hinge of the table	1	1
21	6810T ₁₀ -019	screw	4	4

ALL TECHNICAL DATA ARE REFERENCE ONLY.

ADD.: CHANGPU INDUSTRIAL PARK, LUQIAO ZONE
TAIZHOU CITY ZHEJIANG CHINA 318050
EXPORT: 86-576-2423889 2423733
FAX: 86-576-2423722
E-MAIL: protexport@tongyu.com
URL.: <http://www.tongyu.com>

THE SECOND IMPRESSION
OF
THE SECOND EDITION
PRINTED IN CHINA
ON OCT. 2004
ALL RIGHTS RESERVED