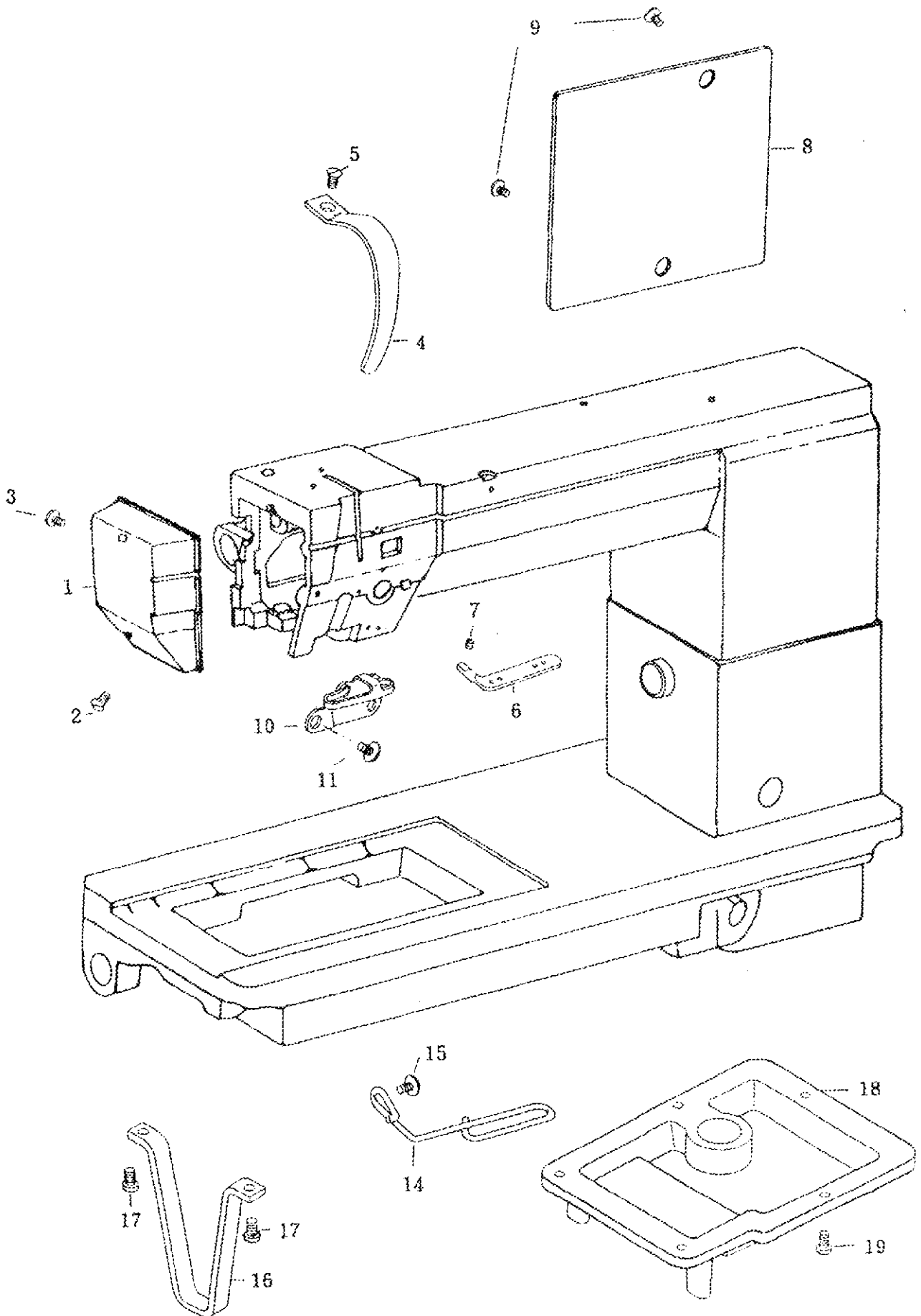


Каталог деталей  
серия 8810, 8820

# CONTENTS 目 次

1,MAIN FRAME AND COVER PARTS FOR 9910,9920 本體機構和護蓋零件.....	1
2,THREAD TENSION MECHANISM FOR 9910,9920 縫線調整機構.....	2
3,SINGLE DIRECTION BEARING SHAFT MECHANISM 單向培林軸機構.....	3
4,ROLLER PRESSER FOOT MECHANISM FOR 9910,9920 輪錢組機構.....	4
5,THREAD TAKE-UP LEVER MECHANISM 天秤機構.....	5
6,UPPER SHAFT AND BALANLE WHEEL MECHANISM 上軸、皮帶輪機構.....	6
7,UPPER SIDE SHAFT MECHANISM 上邊心機構.....	7
8,NEEDLE BAR MECHANISM 針構機構.....	8
9,NEEDLE BAR FEED MECHANISM 針棒進給機構.....	9
10,PRESSER FOOT BAR MECHANISM 押棒機構.....	10
11,TIMING BELT DRIVING MECHANISM FOR 9910,9920 皮帶傳動機構.....	11
12,STITCH ADJUSTER MECHANISM 縫目調整機構.....	12
13,FEED SHAFT MECHANISM 輸送傳動機構.....	13
14,CLUTCH SET MECHANISM 離合器機構.....	14
15,BEDPLATE FEED MECHANISM FOR 9910 單針中座機構.....	15
16,BEDPLATE GEAR FEED MECHANISM FOR 9910 中座齒輪傳動機構.....	16
17,LEFT AND MIDDLE FEED MECHANISM FOR 9920 左邊座和中座傳動機構.....	17
18,LEFT BEDPLATE FEED MECHANISM FOR 9920 左邊座傳動機構.....	18
19,RIGHT SIDE BRACKET MECHANISM FOR 9910,9920 右邊座傳動機構.....	19
20,FEED MECHANISM FOR 9910,9920 單向齒輪傳動機構.....	20
21,RIGHT BEDPLATE FEED MECHANISM FOR 9910,9920 右邊座傳動機構.....	21
22,SPECIAL PARTS 特殊配件.....	22
23,ACCESSORIES FOR 9910,9920 附件.....	23
24,FOR 9920 PRESSER FEET.....	24

MAIN FRAME AND COVER PARTS FOR JS 9910,9920  
本體機構和護蓋零件



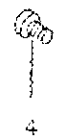
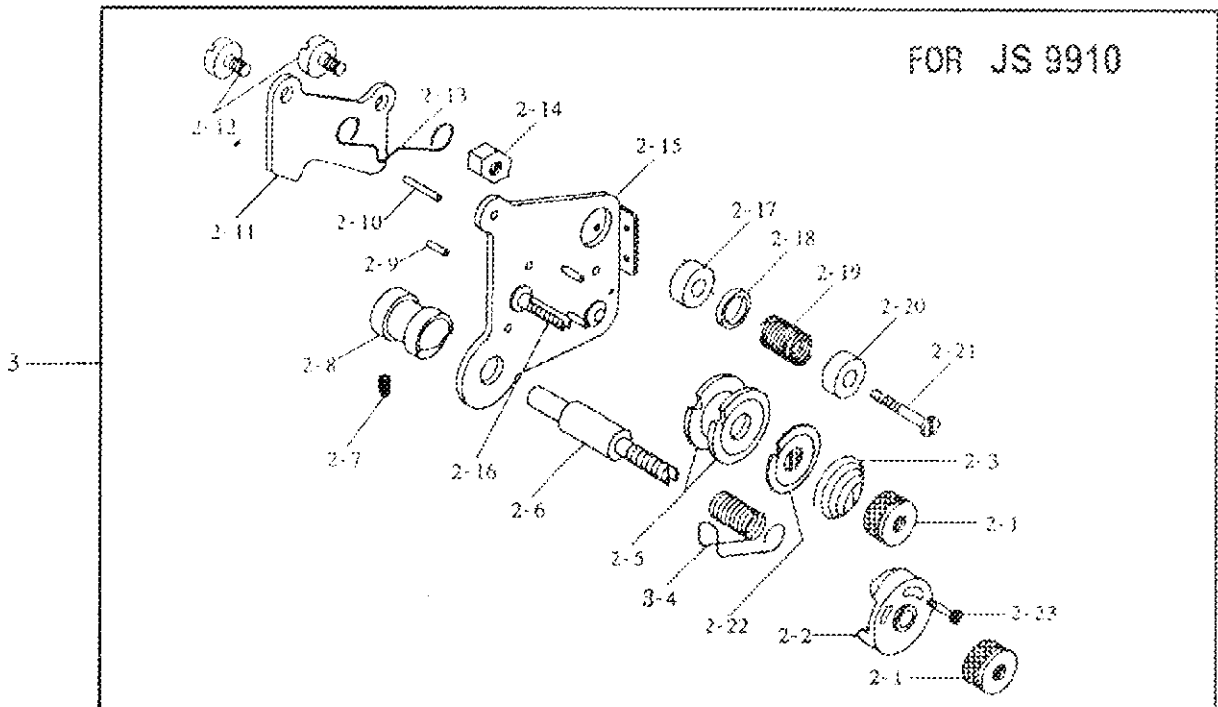
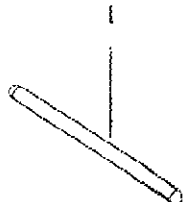
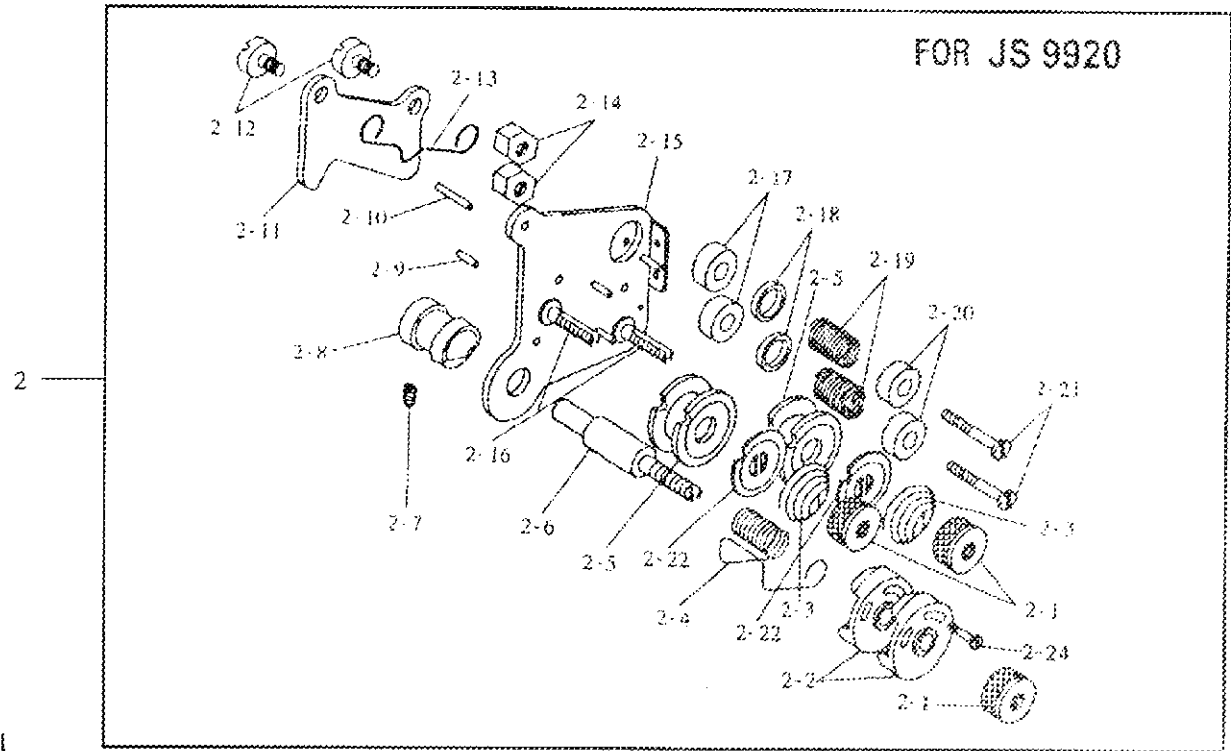
MAIN FRAME AND COVER PARTS FOR JS 9910,9920

本體機構和護蓋零件

Ref. No	Part No.	Name of Part	Amt. req.		Remarks
			9910	9920	
1	JS-119687	Face Plate 面蓋	1	1	
2	JS-108246	Screw 螺絲	1	1	
3	JS-108234	Screw 螺絲	1	1	
4	JS-168061	Thread Take-up Cover 天桿蓋	1	1	
5	JS-210210	Screw 螺絲	1	1	
6	JS-119027	4 Hole Thread Retainer 四孔過線桿	1	1	
7	JS-314946	Screw 螺絲	1	1	
8	JS-119039	Arm Side Cover 大防砂板	1	1	
9	JS-700335	Screw 螺絲	2	2	
10	JS-118430	Thread Guide Wire 過線桿	1	1	
11	JS-700335	Screw 螺絲	1	1	
14	JS-119686	Thread Guide Wire 過線桿	1	1	
15	JS-700335	Screw 螺絲	1	1	
16	JS-119092	Bracket 固定腳器	1	1	
17	JS-108285-1	Screw 螺絲	2	2	
18	JS-119091	Bottom Cover 底座盤	1	1	
19	JS-108225	Screw 螺絲	5	5	

# THREAD TENSION MECHANISM FOR JS 9910,9920

## 縫線調整機構



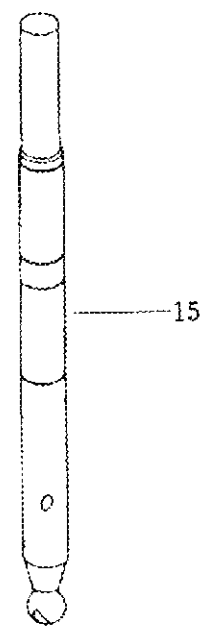
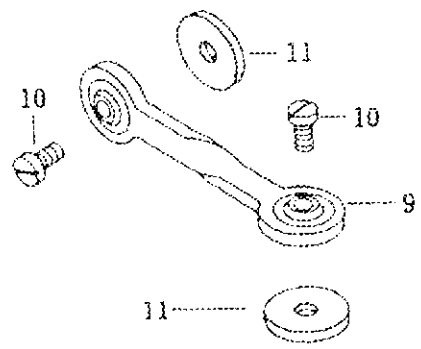
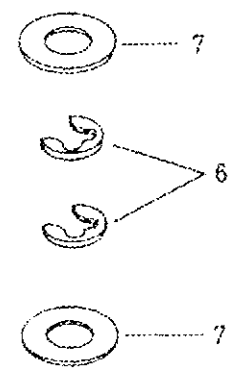
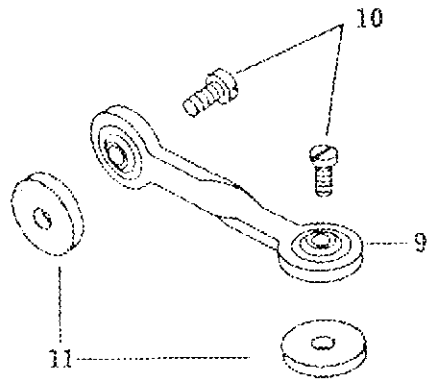
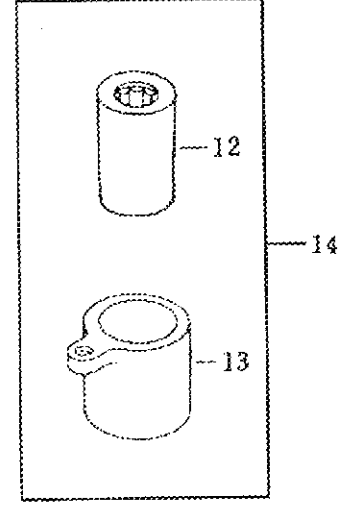
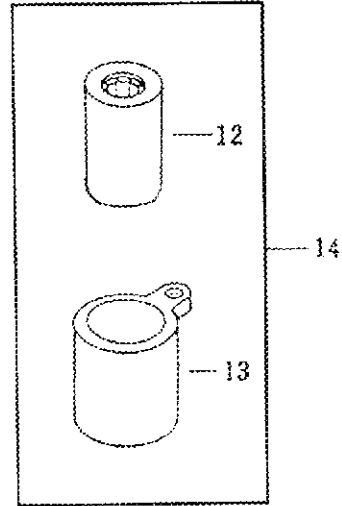
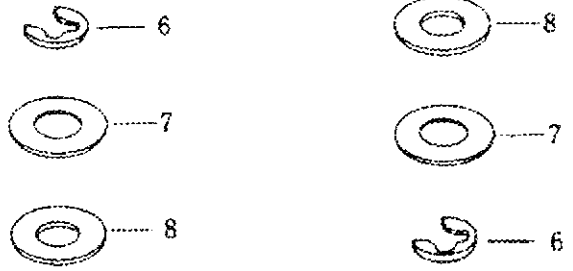
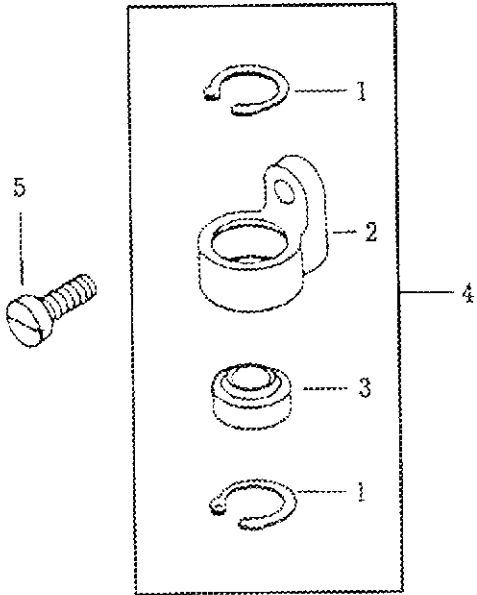
THREAD TENSION MECHANISM FOR JS 9910,9920

縫線調整機構

Ref. No	Part No.	Name of Part	Amt. req.		Remarks
			9910	9920	
1	JS-118553	Tension Releasing Pin	鬆線梢	1	
2	JS-119171	Thread Tension Regulator Assy.	雙針沙拉組	0	(3-1~21)
2-1	JS-119171-1	Nut	螺帽	2	
2-2	JS-119171-2	Spring Guide Assy	過線盤組	1	
2-3	JS-119171-3	Tension Spring	調整彈簧	1	
2-4	JS-119171-4	Thread Take-up Spring	吊線彈簧	1	
2-5	JS-119171-5	Tension Disc	壓線盤	2	
2-6	JS-119171-6	Thread Tension Stud	調整螺絲桿	1	
2-7	JS-119171-7	Screw	螺絲	1	
2-8	JS-119171-8	Thread Tension Regulator Bushing	彈簧座	1	
2-9	JS-119171-9	Tension Releasing Pin	鬆線梢	1	
2-10	JS-119171-10	Tension Releasing Pin	鬆線梢	1	
2-11	JS-119171-11	Tension Release Plate	彈簧板	1	
2-12	JS-119171-12	Screw	螺絲	2	
2-13	JS-119171-13	Tension Release Spring	壓板彈簧	1	
2-14	JS-119171-14	Nut	螺帽	1	
2-15	JS-119171-15	Upper Thread Tension Plate	上線壓力板	1	
2-16	JS-119171-16	Thread Tension Stud	調整螺絲桿	1	
2-17	JS-119171-17	Thread Guide Bracket	過線孔台	1	
2-18	JS-119171-18	Thread Guide Disc	過線孔壓盤	1	
2-19	JS-119171-19	Thread Guide Spring	導線彈簧	1	
2-20	JS-119171-20	Thread Guide Cap	過線孔內蓋	1	
2-21	JS-119171-21	Screw	螺絲	1	
2-22	JS-119171-22	Tension disc Washer	線調整壓盤	1	
2-23	JS-119171-23	Screw	螺絲	1	
2-24	JS-119171-24	Screw	螺絲	0	
3	JS-119786	Thread Tension Regulator Assy.	單針沙拉組	1	(3-1~21)
3-4	JS-119766-1	Thread Take-up Spring	吊線彈簧	1	
4	JS-173096-1	Screw	螺絲	1	
5	JS-700412	Screw	螺絲	1	
6	JS-700412-1	Bushing	襯套環	1	

# SINGLE DIRECTION BEARING SHAFT MECHANISM

## 單向培林軸機構

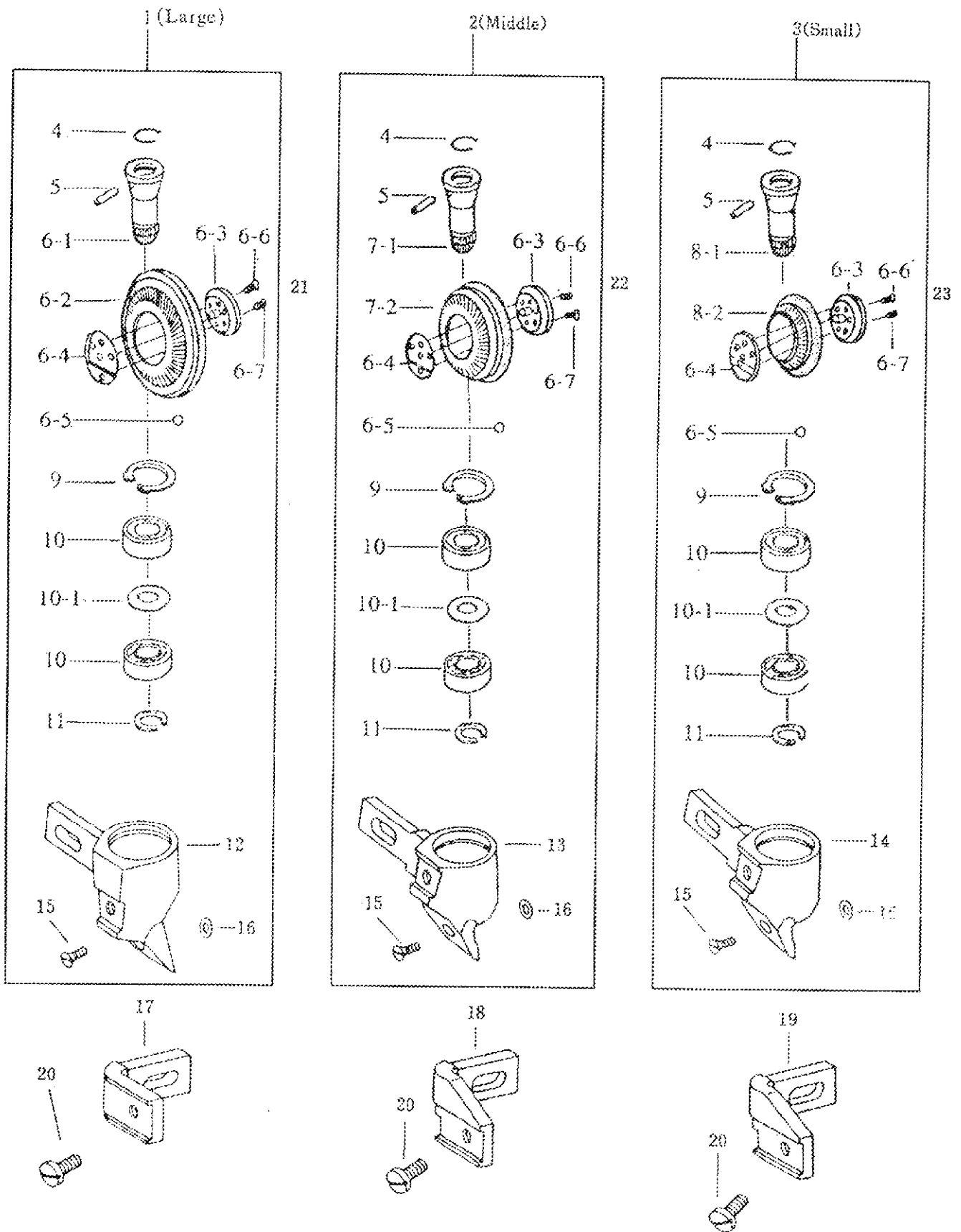


SINGLE DIRECTION BEARING SHAFT MECHANISM  
單向培林軸機構

Ref. No	Part No.	Name of Part	Amt. req.		Remarks	
			9910	9920		
1	JS-660290	Retaining Ring	C型扣環	2	2	
2	JS-119158	Bearing Bracket	萬向培林座	1	1	
	JS-119158-1	Bearing Bracket	(for MS-119803)	1	1	
3	JS-756901	Bearing	培林	1	1	
4	JS-119150	Bearing Set	萬向培林組	1	1	(1~3)
	JS-119150-1	Bearing Set	(for MS-119150)	1	1	
5	JS-108294	Screw	螺絲	1	1	
6	JS-640210	E-Ring	E型扣環	4	4	
7	JS-119159	Washer (1.0)	華司	2	2	
7-1	JS-119160	Washer (1.4)	華司	2	2	
8	JS-119886	Washer (0.1)	華司	2	2	
8-1	JS-119961	Washer (0.15)	華司	2	2	
8-2	JS-119962	Washer (0.2)	華司	3	3	
8-3	JS-119963	Washer (0.05)	華司	2	2	
9	JS-119507	Link	萬向連桿	2	2	
10	JS-174176	Screw	螺絲	4	4	
11	JS-119087	Oil Felt	油棉墊	4	4	
12	JS-061014	Needle Bearing	針狀培林	2	2	
13	JS-119505	Free-Wheeling	單向培林座	2	2	(12, 13)
14	JS-119506	Free Bearing	單向培林組	2	2	
15	JS-119503	Shaft	單向培林軸	1	1	



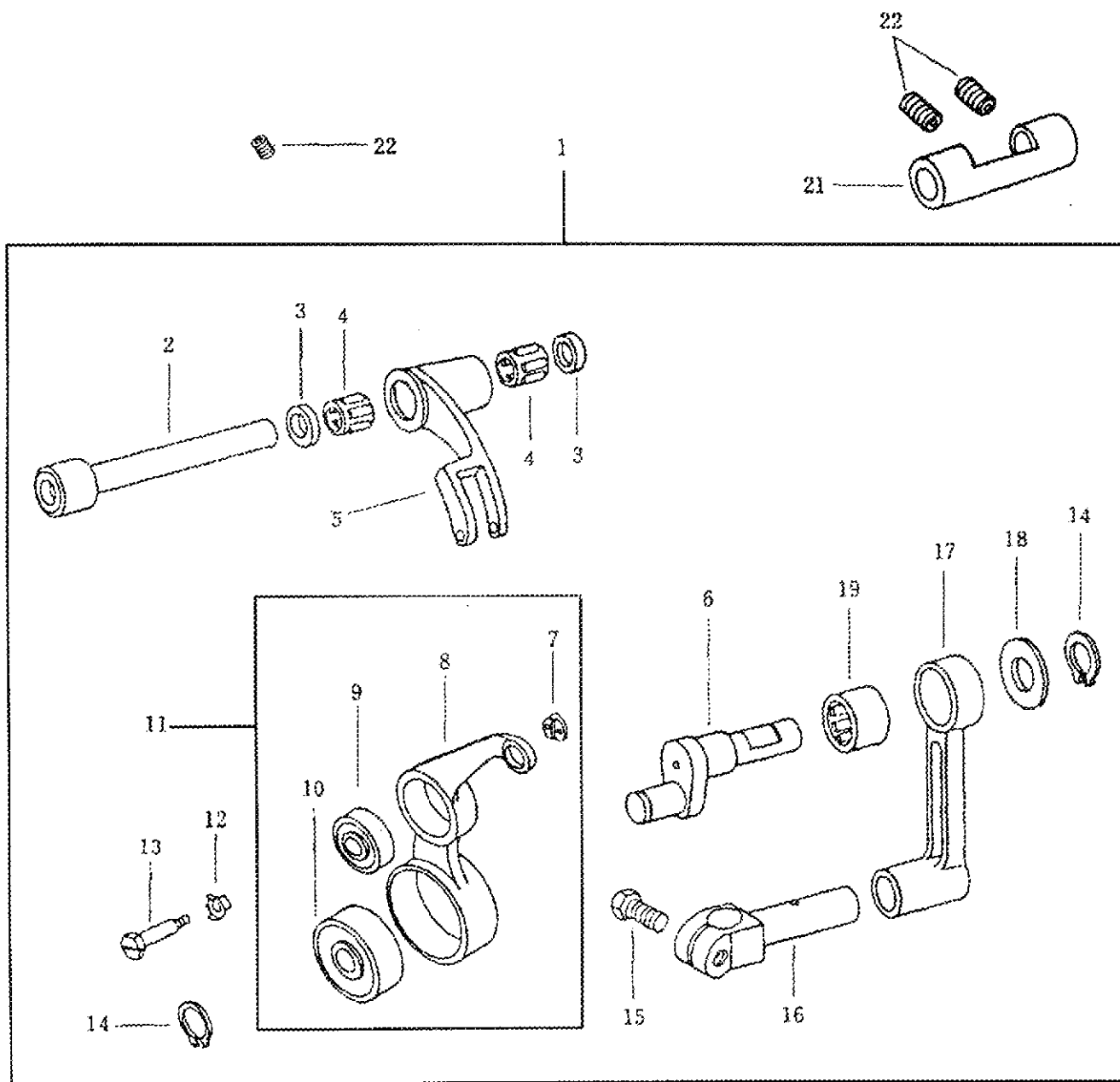
ROLLER PRESSER FOOT MECHANISM FOR JS 9910,9920  
 輪錢組機構



ROLLER PRESSER FOOT MECHANISM FOR JS 9910,9920  
 輪錢組機構

Ref. No	Part No.	Name of Part	Amt. req.		Remarks	
			9910	9920		
1	JS-119803	Roller Presser Assy. (Large)	輪錢組(大)	1	1	
2	JS-119803-1	Roller Presser Assy. (Middle)	輪錢組(中)	1	1	
3	JS-119802	Roller Presser Assy. (Small)	輪錢組(小)	1	1	
4	JS-119469	Spring Washer	止輪環	1	1	
5	JS-033145	Pin	平行梢	1	1	
6	JS-175109	Gear	齒輪	1	1	
6-1	JS-175109-1	Gear Presser Shaft	傳動軸	1	1	
6-2	JS-175109-2	Gear	齒輪盤	1	1	
6-3	JS-175109-3	Gear Presser Shaft Seat (Front)	輪錢軸座(前)	1	1	
6-4	JS-175109-4	Gear Presser Shaft Seat	輪錢軸座(後)	1	1	
6-5	JS-175109-5	Ball	鋼珠	1	1	
6-6	JS-175109-6	Screw	螺絲	1	1	
6-7	JS-175109-7	Screw	螺絲	1	1	
7	JS-175107	Gear	齒輪	1	1	
7-1	JS-175107-1	Gear Presser Shaft	傳動軸	1	1	
7-2	JS-175107-2	Gear	齒輪盤	1	1	
7-3	JS-175107-3	Gear Presser Shaft Seat	輪錢軸座	1	1	
8	JS-175108	Gear	齒輪	1	1	
8-1	JS-175108-1	Gear Presser Shaft	傳動軸	1	1	
8-2	JS-175108-2	Gear	齒輪盤	1	1	
8-3	JS-175108-3	Gear Presser Shaft Seat	輪錢軸座	1	1	
9	JS-664290	Retaining Ring	C型扣環	1	1	
10	JS-133116	Ball Bearing	滾珠軸承	1	2	
10-1	JS-133116-1	Washer	華司	1	1	
11	JS-518210	Retaining Ring	C型扣環	1	1	
12	JS-119953	Roller Presser Bracket	輪錢座	1	1	
13	JS-119943	Roller Presser Bracket	輪錢座	1	1	
14	JS-119956	Roller Presser Bracket	輪錢座	1	1	
15	JS-210043	Screw	螺絲	1	1	
16	JS-119491	Washer	華司	1	1	
17	JS-119807	Guide Seat	輪錢連接座(大)	1	1	
18	JS-119955	Guide Seat	輪錢連接座(中)	1	1	
19	JS-119954	Guide Seat	輪錢連接座(小)	1	1	
20	JS-175174	Screw	螺絲	2	1	

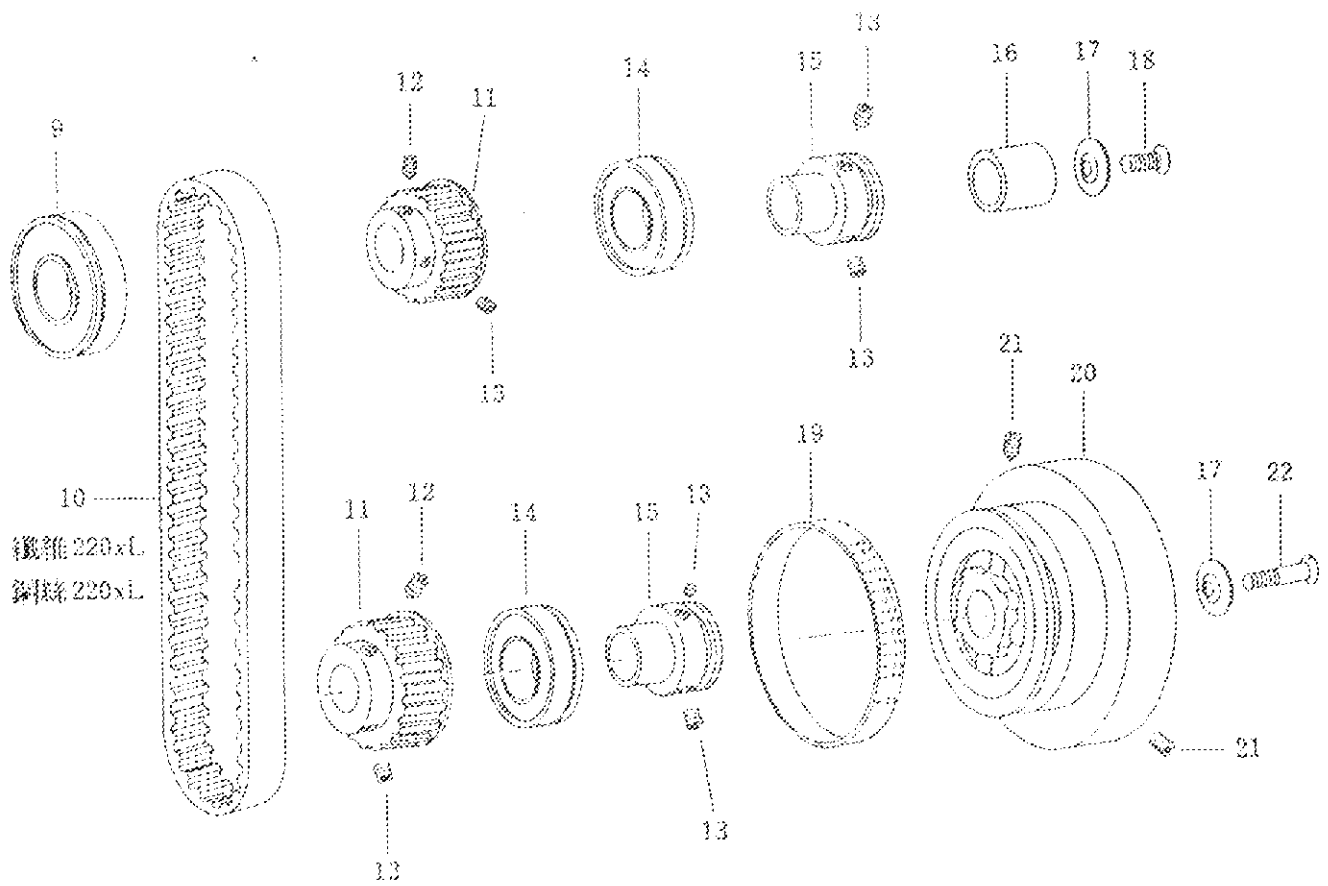
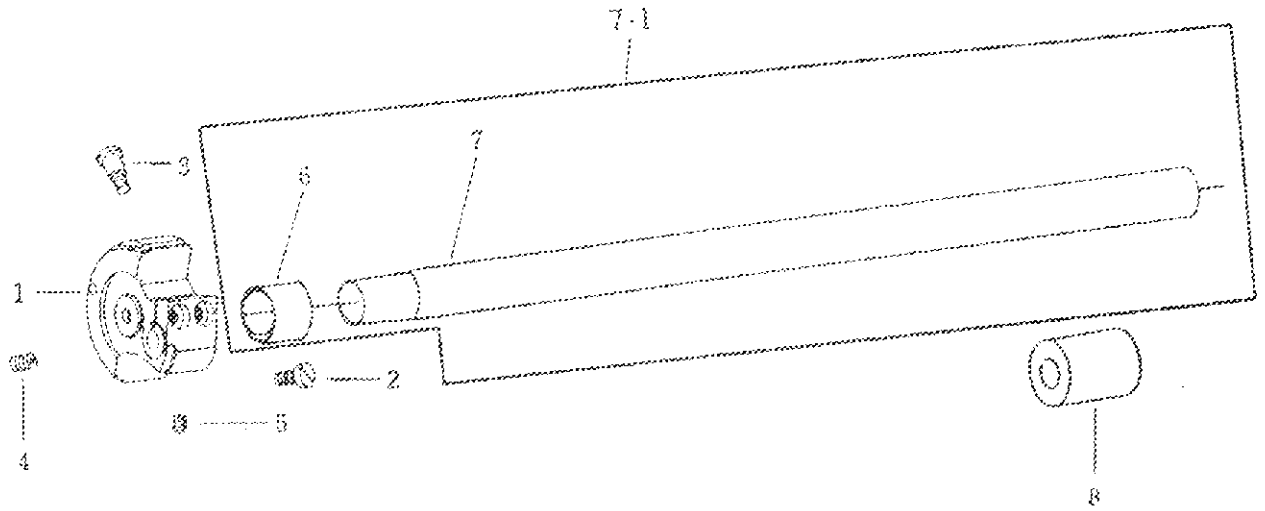
# THREAD TAKE-UP LEVER MECHANISM 天秤機構



THREAD TAKE-UP LEVER MECHANISM  
天秤機構

Ref. No	Part No.	Name of Part	Amt. req.		Remarks	
			9910	9920		
1	JS -110084	Thread Take-up Assy	天秤組	1	1	(2~19)
2	JS -119009	Take-up Lever Support Stud	天秤拉基軸	1	1	
3	JS -168039	Washer	定環	2	2	
4	JS -215022	Needle Bearing	針狀培林	2	2	
5	JS -119008	Take-up Frame	天秤架	1	1	
6	JS -119762	Take-up Crank Pin	天秤曲柄	1	1	
7	JS -119049	Bushing	線道	1	1	
8	JS -119007	Take-up Lever	天秤桿	1	1	
9	JS -167569	Ball Bearing	滾珠培林	1	1	
10	JS -167570	Ball Bearing	滾珠培林	1	1	
11	JS -119006	Take-up Lever	天秤	1	1	(7~10)
12	JS -168046	Washer	墊片	1	1	
13	JS -168047	Screw	螺絲	1	1	
14	JS -610210	Retaining Ring	C型扣環	2	2	
15	JS -039177	Screw	螺絲	1	1	
16	JS -119013	Needle Bar Connecting Stud	針棒固定器	1	1	
17	JS -119765	Needle Bar Connecting Crank Rod	針棒連接桿	1	1	
18	JS -119763	Washer	華司	1	1	
19	JS -218080	Needle Bearing	針狀培林	1	1	
20	JS -118518	Needle Bar Guide Slide Block	針棒導引滑塊	1	1	
21	JS -168041	Bushing	天秤軸套管	1	1	
22	JS -314220	Screw	螺絲	3	3	

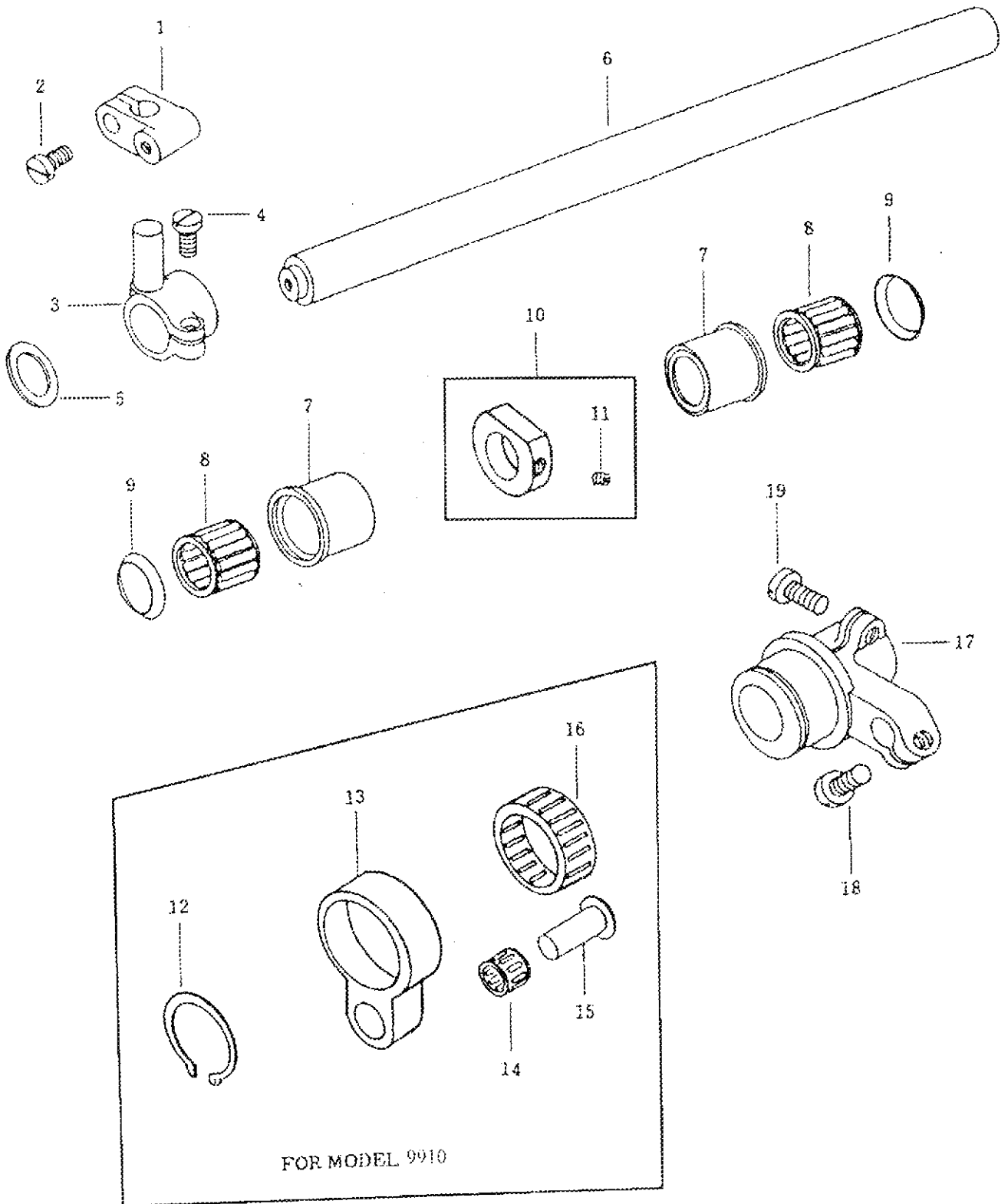
UPPER SHAFT AND BALANCE WHEEL MECHANISM  
 上軸・皮帶輪機構



UPPER SHAFT AND BALANCE WHEEL MECHANISM  
上軸、皮帶輪機構

Ref. No	Part No.	Name of Part	Amt. req.		Remarks	
			9910	9920		
1	JS-119702-2	Crank Cam	凸輪	1	1	
2	JS-130224	Screw	螺絲	2	2	
3	JS-119702-3	Screw	螺絲	1	1	
4	JS-119702-4	Screw	螺絲	1	1	
5	JS-700510	Screw	螺絲	1	1	
6	JS-119702-5	Bushing	上軸套環	1	1	
7	JS-119702-1	Upper Shaft	上軸	1	1	
7-1	JS-119702 A	Upper Shaft Assy	上軸套環組	1	1	
8	JS-119702-6	Bushing	套環	0	1	
9	JS-018643	Ball Bearing	滾珠培林	1	1	
10	JS-069160	Timing Belt	皮帶	1	1	
10-1	JS-069160-1	Timing Belt	皮帶	1	1	
11	JS-119707	Timing Belt Wheel	齒形皮帶輪	2	2	
12	JS-335902	Screw	螺絲	2	2	
13	JS-335902-1	Screw	螺絲	6	6	
14	JS-016153	Ball Bearing	滾珠培林	2	2	
15	JS-119705	Upper Shaft Bushing	上軸套管	2	2	
16	JS-069746	bushing	上軸套筒	1	1	
17	JS-168480	Washer	華司	2	2	
18	JS-210265	Screw	螺絲	1	1	
19	JS-175048	Feed Regulator Scale	縫目指示環	1	1	
20	JS-170913	Pulley Balance Wheel	皮帶輪	1	1	
21	JS-341902	Screw	螺絲	2	2	
22	JS-210287	Screw	螺絲	1	1	

UPPER SIDE SHAFT MECHANISM JS 9910,9920  
上邊心機構

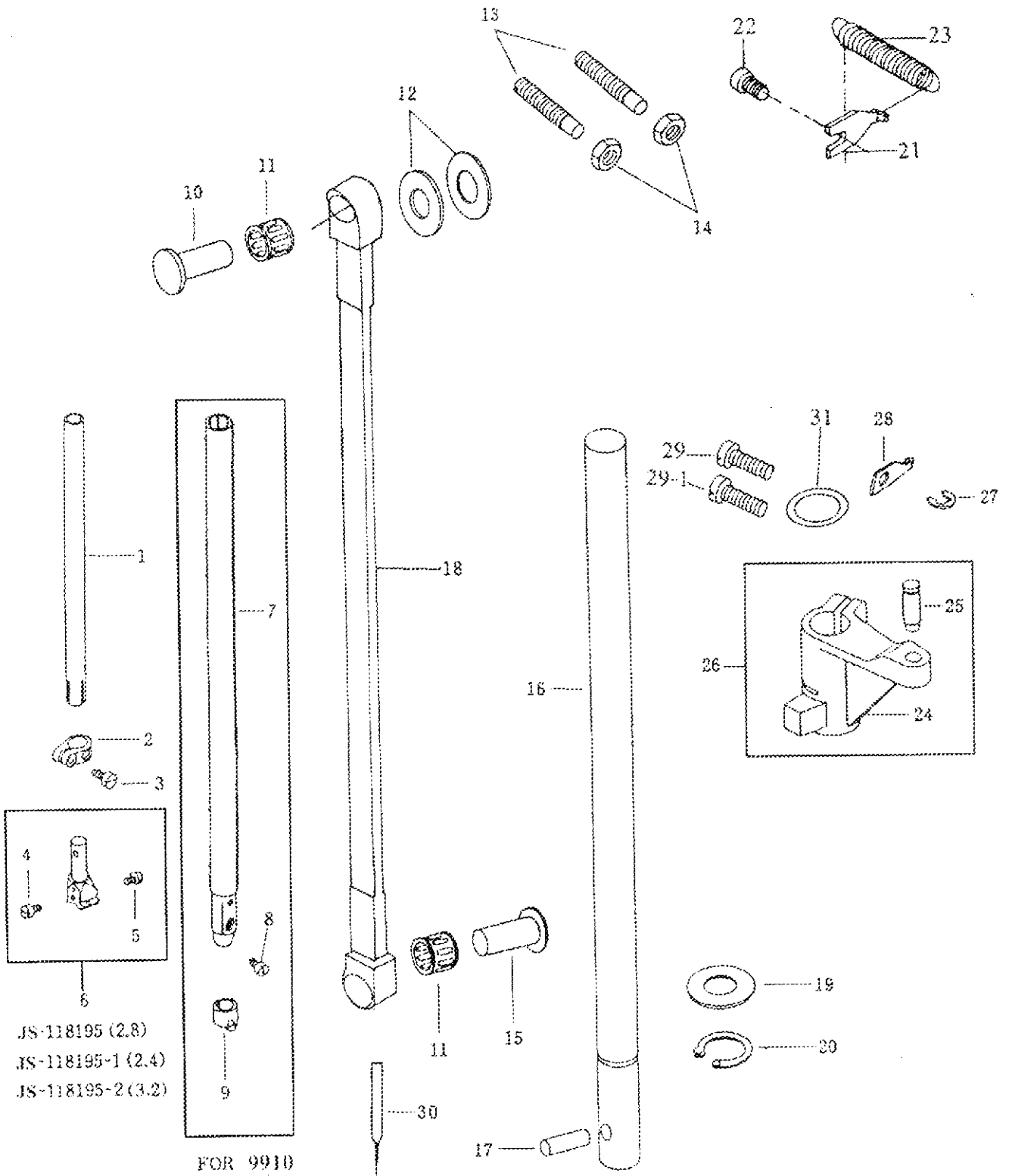


UPPER SIDE SHAFT MECHANISM  
上邊心機構

Ref. No	Part No.	Name of Part	Amt. req.		Remarks
			9910	9920	
1	JS-119164	Clamp 萬向連結座	1	1	
2	JS-108177	Screw 螺絲	1	1	
3	JS-119163	Crank 萬向連結頭	1	1	
4	JS-108225	Screw 螺絲	1	1	
5	JS-119085	Washer 華司	1	1	
6	JS-119511	Upper Side Shaft 上邊軸	1	1	
7	JS-118600	Bushing 針形軸承套管	2	2	
8	JS-215124	Needle Bearing 針狀培林	2	2	
9	JS-133283	Washer 華司	2	2	
10	JS-118504	Collar 定環	1	1	(11)
11	JS-118503	Screw 螺絲	1	1	
12	JS-610370	Retaining ring C型扣環	1	0	
13	JS-119042-2	Eccentric With Rod 凸輪連桿	1	0	
14	JS-215028	Needle Bearing 針狀培林	1	0	
15	JS-175150	Pin 固定梢(短)	1	0	
16	JS-242810	Needle Bearing 針狀培林	1	0	
17	JS-119042	Crank With Eccentric 小凸輪	1	1	
18	JS-108225-2	Screw 螺絲	1	1	
19	JS-130224	Screw 螺絲	1	1	



NEEDLE BAR MECHANISM  
針構機構



JS-118195 (2.8)  
JS-118195-1 (2.4)  
JS-118195-2 (3.2)

FOR 9910

NEEDLE BAR MECHANISM  
針構機構

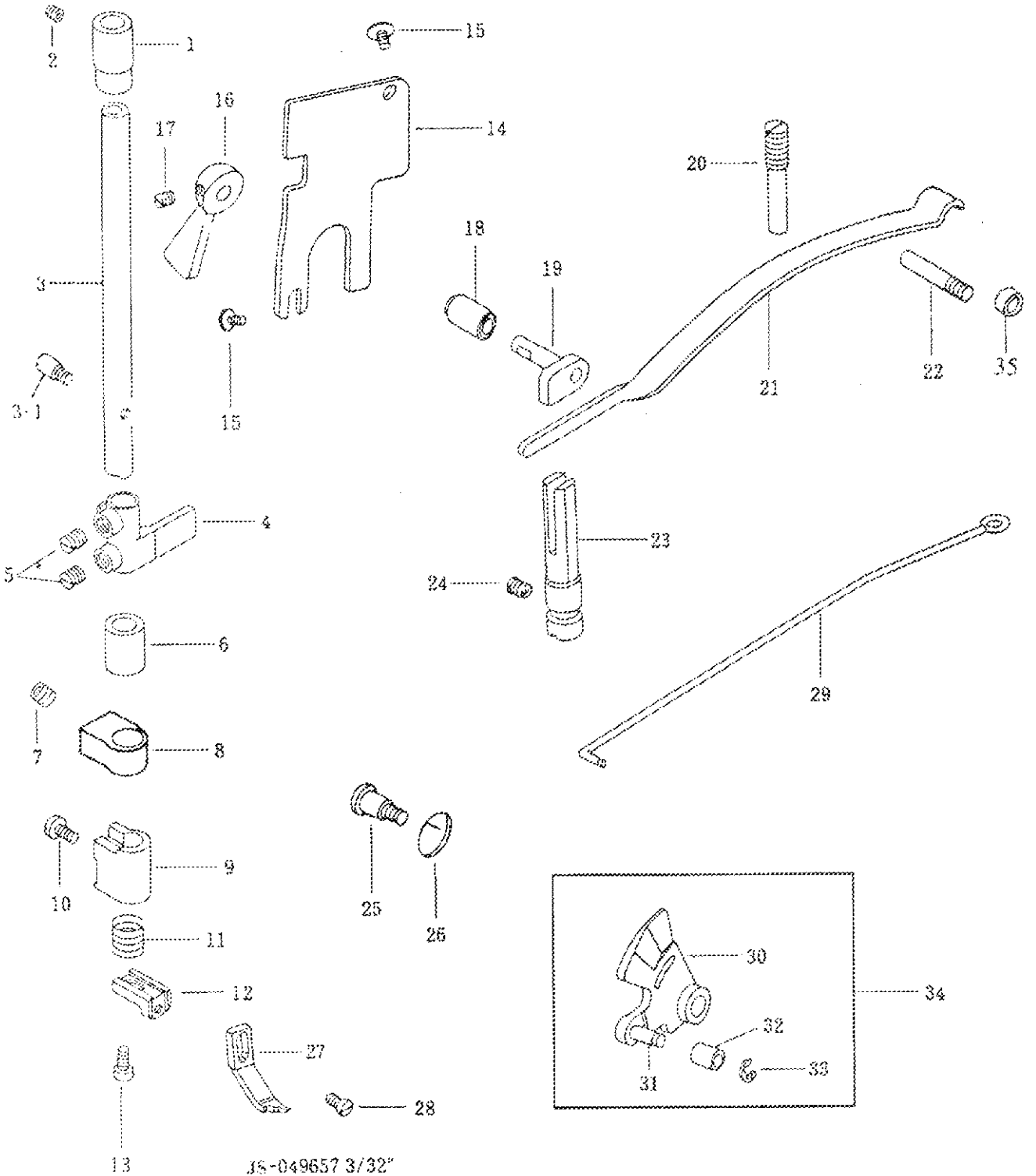
Ref. No	Part No.	Name of Part	Amt. req.		Remarks	
			9010	9020		
1	JS - 118197	Needle Bar	雙針針棒	0	1	
2	JS - 118196	Ring Clamp	針棒套環	0	1	
3	JS - 108174-1	Screw	螺絲	0	1	
4	JS - 700868	Screw	螺絲	0	1	
5	JS - 700868-1	Screw	螺絲	0	1	
6	JS - 118195	Needle Holder (2.8)	針榴	0	1	(4, 5)
	JS - 118195-1	Needle Holder (2.4)	針榴	0	1	(4, 5)
	JS - 118195-2	Needle Holder (3.2)	針榴	0	1	
7	JS - 175096	Needle Bar	單針針棒	1	0	
8	JS - 174173	Screw	螺絲	1	0	
9	JS - 175096-2	Thread Guide	針棒束環	1	0	
10	JS - 175150	Pin	固定梢(短)	1	1	
11	JS - 215028	Needle Bearing	針狀培林	2	2	
12	JS - 169137	Washer	華司	2	2	
13	JS - 305305	Screw	螺絲	2	2	
14	JS - 024191	Nut	螺帽	2	2	
15	JS - 118612	Pin	固定梢(長)	1	1	
16	JS - 119718	Shaft	腳押長軸	1	1	
17	JS - 030310	Pin	平行梢	1	1	
18	JS - 119046	Connecting Rod	連桿	1	1	
19	JS - 119525-2	Washer	華司	1	1	
20	JS - 119718-2	Retaining Ring	C型扣環	1	1	
21	JS - 118858	Spring Plate	彈簧固定板	1	1	
22	JS - 108285	Screw	螺絲	1	1	
23	JS - 118857	Spring	彈簧	1	1	
24	JS - 118543	Crank	上下輸送臂	1	1	
25	JS - 118544	Pin	彈簧固定梢	1	1	(24, 25)
26	JS - 118543A	Crank Shaft	腳押連桿上下臂	1	1	
27	JS - 640150	E-Ring	E型扣環	1	1	
28	JS - 020490	Spring Plate	彈簧勾板	1	1	
29	JS - 130224	Screw	螺絲	2	2	
29-1	JS - 130224-1	Screw	螺絲	1	1	
30	JS - 134356	Needle	針	1	1	
31	JS - 118545	Washer	華司	1	1	



NEEDLE BAR FEED MECHANISM  
針棒進給機構

Ref. No	Part No.	Name of Part		Amt. req.		Remarks
				9910	9920	
1	JS-118600	Bushing	套管	2	0	
2	JS-215124	Needle Bearing	針狀培林	2	0	
3	JS-133283	Washer	華司	4	0	
4	JS-118610	Crank	針送支臂	1	0	
5	JS-108285-1	Screw	螺絲	1	0	
6	JS-130224	Screw	螺絲	1	0	
8	JS-118594	Needle Bar Connecting Link Guide	針棒連接器導槽	1	1	
9	JS-100355	Screw	螺絲	2	2	
10	JS-119014	Oil Felt	油棉	1	1	
11	JS-119015	Holder	油棉壓板	3	3	
12	JS-706169	Screw	螺絲	2	2	
13	JS-119940	Needle Bar Holder	針棒支持座	1	1	
14	JS-119940-5	Needle Bar Bushing	針棒套管(上)	1	1	
15	JS-119940-4	Needle Bar Bushing	針棒套管(下)	1	1	
16	JS-118521	Needle Bar Support Frame Retainer	針棒固定板	0	1	
17	JS-108219	Screw	螺絲	0	1	
18	JS-118520	Bushing	套管	0	1	
19	JS-314286	Screw	螺絲	0	1	
20	JS-118520-1	Bushing	套管	0	1	
21	JS-118503	Screw	螺絲	1	1	
22	JS-118504	Collar	定環	1	1	(21)

# PRESSER FOOT BAR MECHANISM 押棒機構



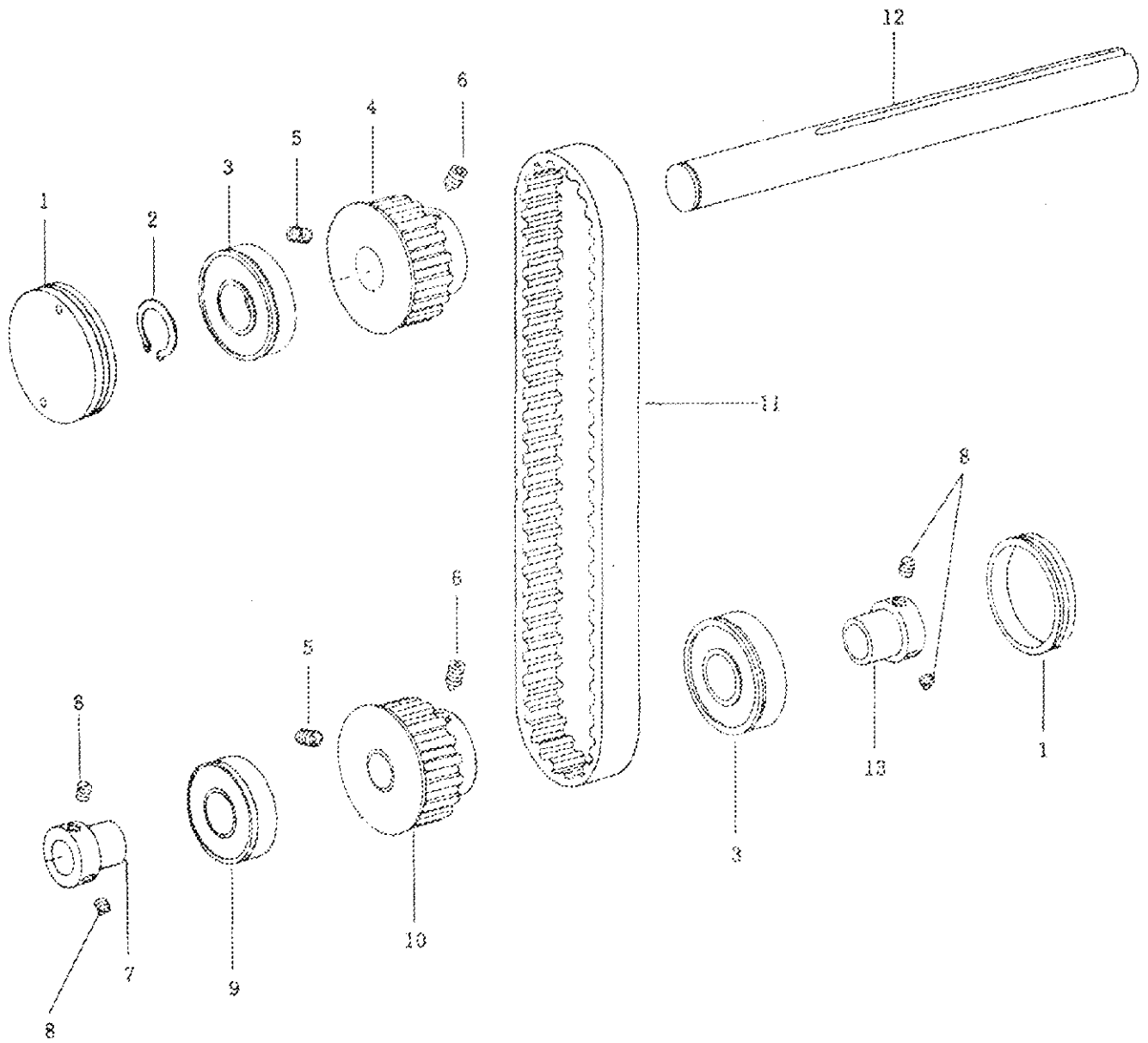
JS-049657 3/32"

JS-049657-1 1/16"

PRESSER FOOT BAR MECHANISM  
 押棒機構

Ref. No	Part No.	Name of Part	Amt. req.		Remarks
			9910	9930	
1	JS-119019	Presser Bar Bushing (Upper)	1	1	
2	JS-700785	Screw	1	1	
3	JS-119018	Presser Bar	1	1	
3-1	JS-119018-1	Pin	1	1	
4	JS-118530	Presser Bar Holder	1	1	
5	JS-700510	Screw	2	2	
6	JS-119019-1	Presser Bar Bushing (Lower)	1	1	
7	JS-700510-1	Screw	1	1	
8	JS-119165-1	Roller Presser Holder	1	1	
9	JS-119165	Roller Presser Holder	1	1	
10	JS-173174	Screw	1	1	
11	JS-025874	Spring	1	1	
12	JS-054876	Angle	1	1	
13	JS-130173	Screw	1	1	
14	JS-175135	Cover	1	1	
15	JS-700335	Screw	2	2	
16	JS-069079	Presser Foot Lifter	1	1	
17	JS-317950	Screw	1	1	
18	JS-119004	Bushing	1	1	
19	JS-118577	Cam shaft	1	1	
20	JS-100331	Screw	1	1	
21	JS-118535	Presser Plate Spring	1	1	
22	JS-343901	Screw	1	1	
23	JS-118105	Stud	1	1	
24	JS-314286	Screw	1	1	
25	JS-700017	Screw	1	1	
26	JS-119016	Spring	1	1	
27	JS-049657	Presser Foot	0	1	
	JS-049657-1	Presser Foot	0	1	
28	JS-108171	Screw	0	1	
29	JS-118542	Knee Lifter Connecting Lever	1	1	
30	JS-118536	Spring Plate	1	1	
31	JS-118536-1	Pin	1	1	
32	JS-118539	Bushing	1	1	
33	JS-640150	E-Ring	1	1	
34	JS-118538A	Lifting Lever Assy	1	1	(30~33)
35	JS343902	Bushing	1	1	

TIMING BELT DRIVING MECHANISM FOR JS 9910,9920  
皮帶傳動機構



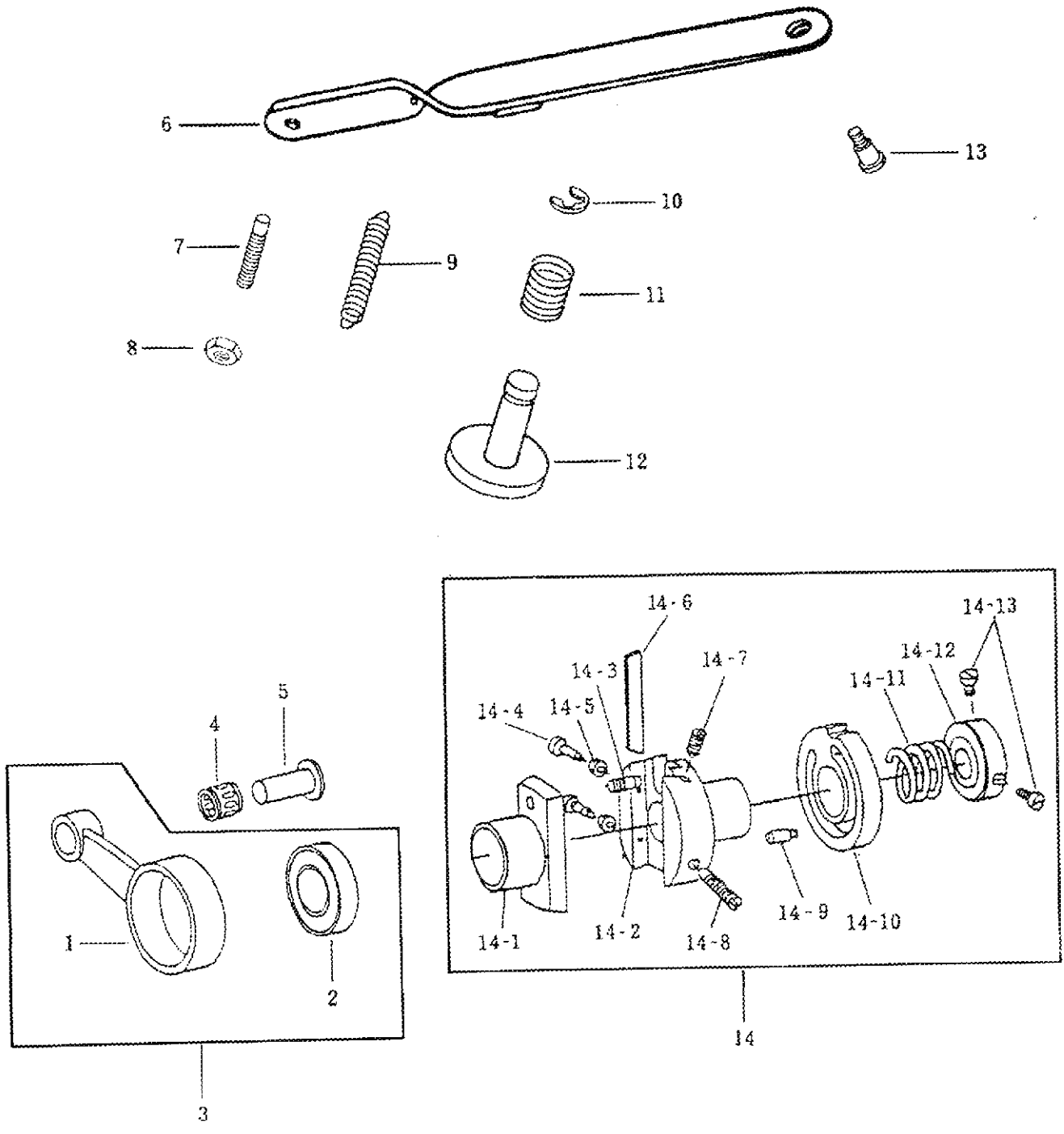
TIMING BELT DRIVING MECHANISM FOR JS 9910,9920  
皮帶傳動機構

Ref. No	Part No.	Name of Part	Amt. req.		Remarks
			9910	9920	
1	JS-119097	Plug	2	2	
2	JS-610300	Retaining Ring	1	1	
3	JS-018624	Ball Bearing	2	2	
4	JS-119707	Timing Belt Wheel	1	1	
5	JS-335902-1	Screw	2	2	
6	JS-335902	Screw	2	2	
7	JS-119121	Collar (Left)	1	1	
8	JS-700689	Screw	4	4	
9	JS-018613	Ball Bearing	1	1	
10	JS-119708	Timing Belt Wheel	1	1	
11	JS-069161	Timing Belt	1	1	
	JS-069161-1	Timing Belt	1	1	
12	JS-119706	Shaft	1	1	
13	JS-118726	Collar (Right)	1	1	



# STITCH ADJUSTER MECHANISM

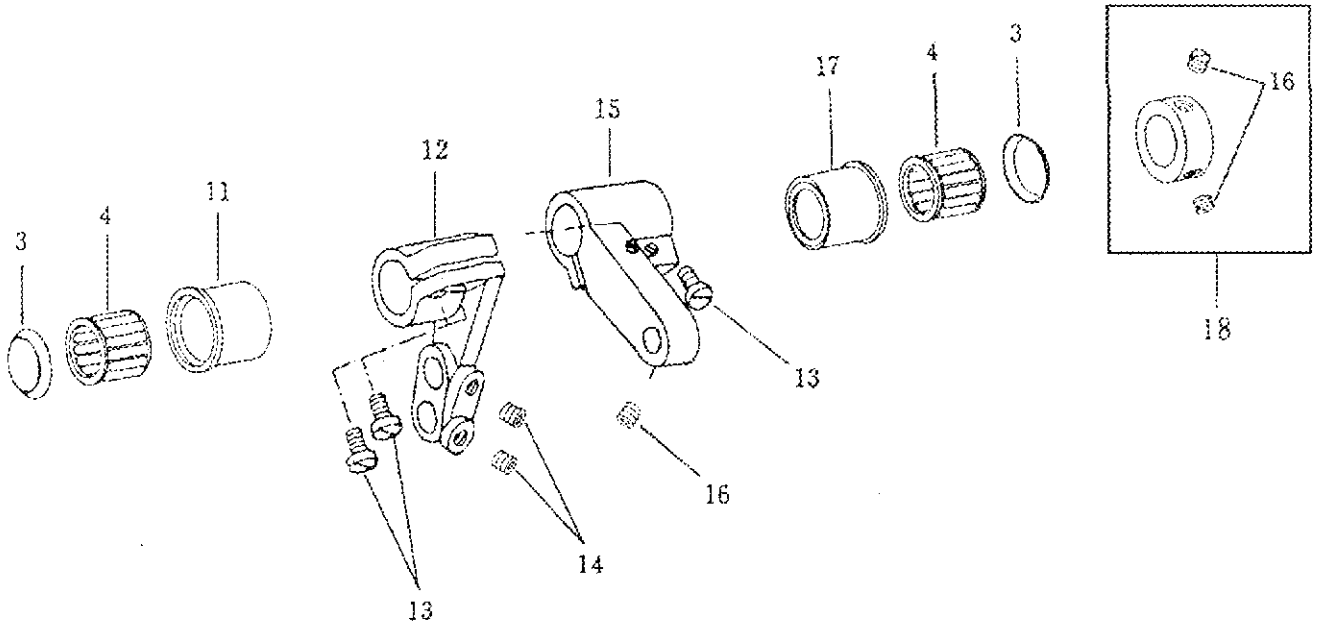
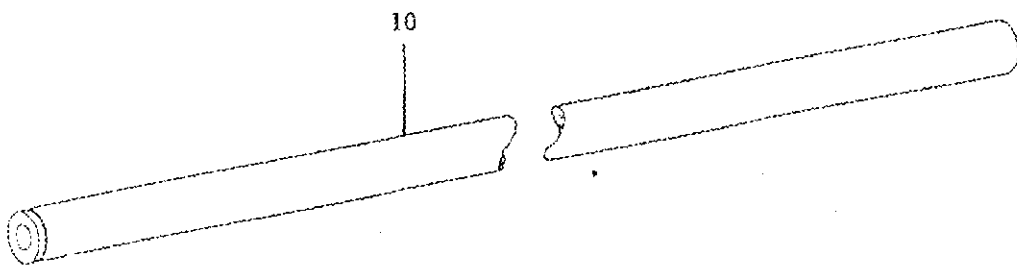
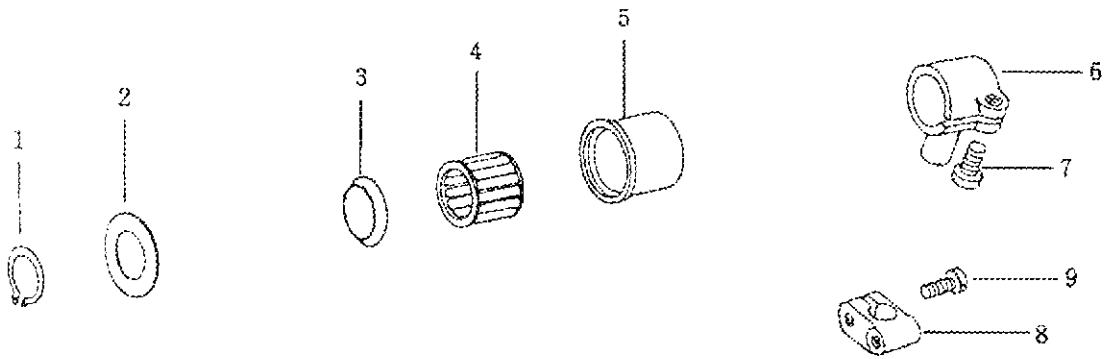
## 縫目調整機構



STITCH ADJUSTER MECHANISM  
縫目調整機構

Ref. No	Part No.	Name of Part	Amt. req.		Remarks
			9910	9920	
1	JS-175038	Connecting Rod	1	1	
2	JS-6906	Ball Bearing	1	1	
3	JS-175038A	Crank Rod Set	1	1	(1,2)
4	JS-215028	Needle Bearing	1	1	
5	JS-118612	Bearing Stud	1	1	
6	JS-165356	Feeding Adjusting Plate	1	1	
7	JS-165356-1	Screw	1	1	
8	JS-165356-8	Nut	1	1	
9	JS-165356-5	Spring	1	1	
10	JS-165356-7	E-ring	1	1	
11	JS-165356-6	Spring	1	1	
12	JS-165356-2	Pin	1	1	
13	JS-165356-3	Screw	1	1	
14	JS-175029	Cam Assy	1	1	
14-1	JS-175029-1	Stitch Regulating Seat	1	1	
14-2	JS-175029-2	Stitch Regulating Fix Seat	1	1	
14-3	JS-175029-3	Feed Adjusting Screw	1	1	
14-4	JS-175029-4	Screw	1	1	
14-5	JS-175029-5	Nut	1	1	
14-6	JS-175029-6	Friction Plate	1	1	
14-7	JS-175029-7	Screw	1	1	
14-8	JS-175029-8	Screw	1	1	
14-9	JS-175029-9	Screw	1	1	
14-10	JS-175029-10	Eccentric wheel	1	1	
14-11	JS-175029-11	Spring	1	1	
14-12	JS-175029-12	Collar	1	1	
14-13	JS-175029-13	Screw	2	2	

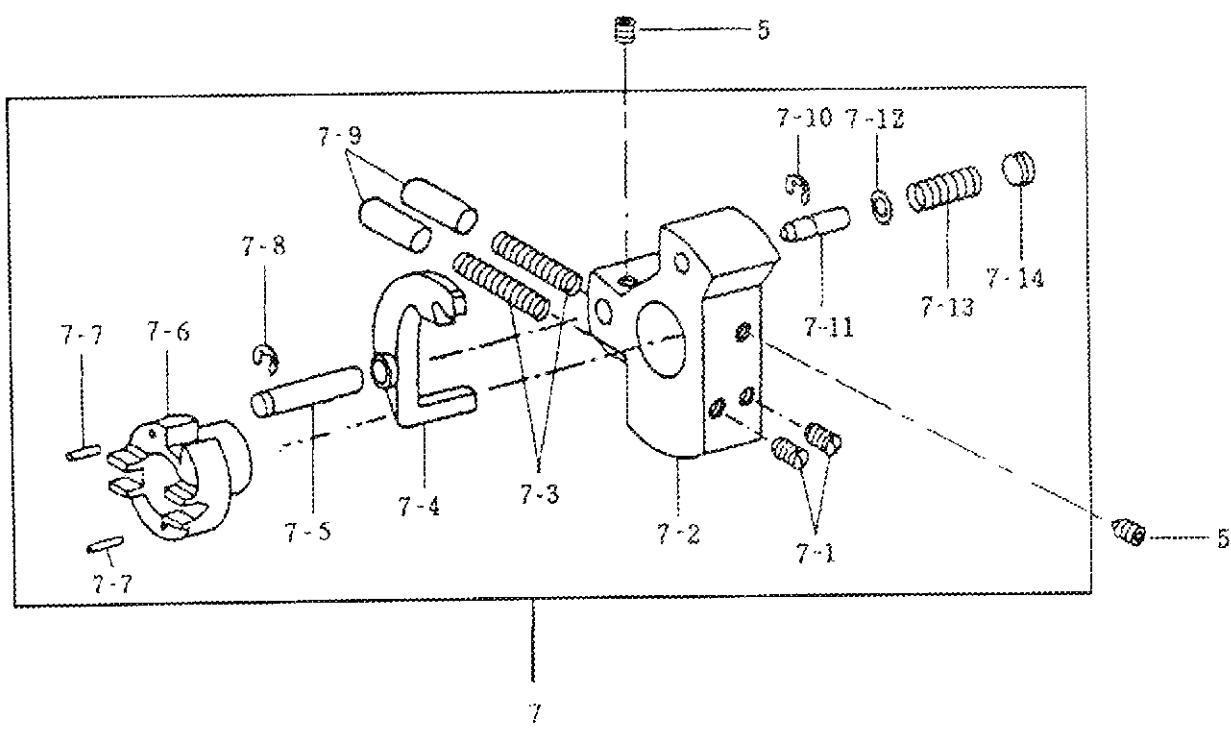
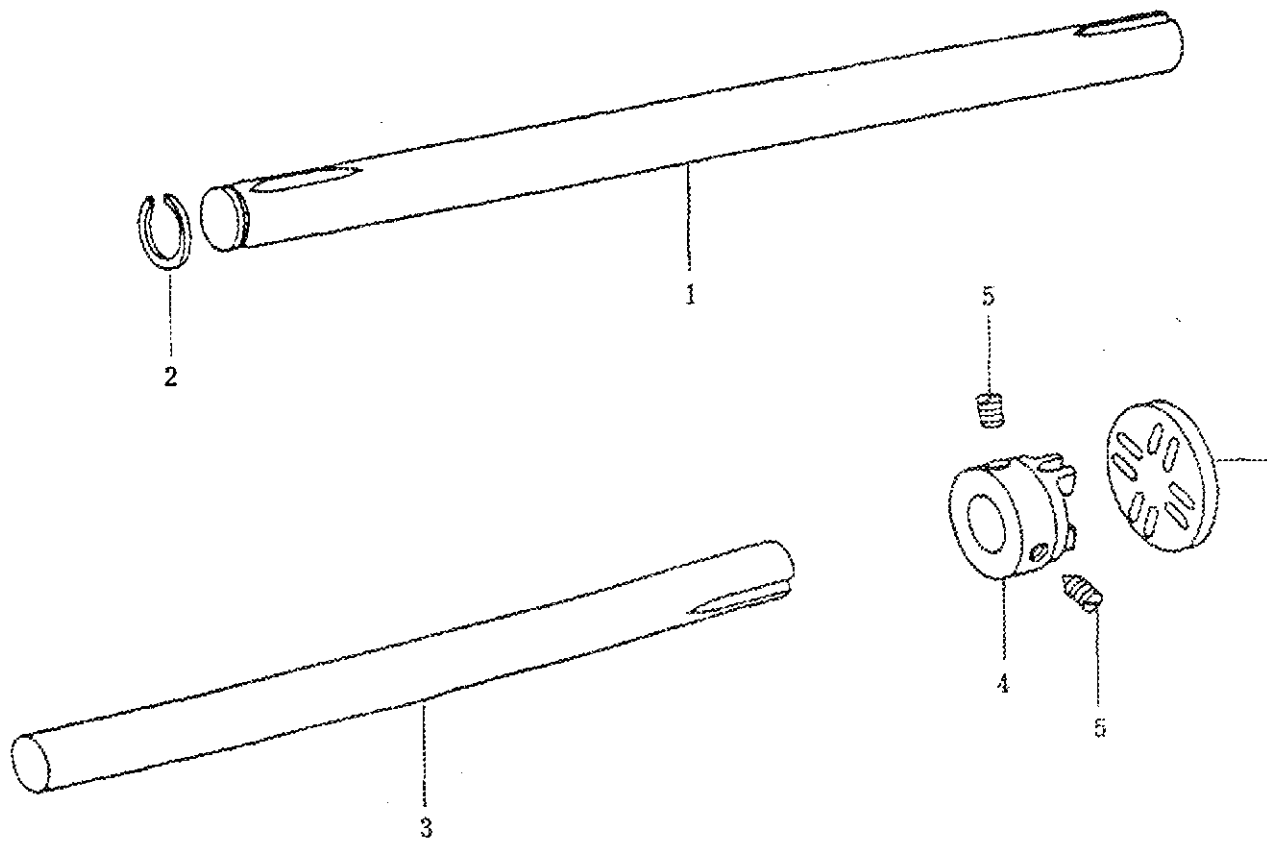
# FEED SHAFT MECHANISM 輸送傳動機構



FEED SHAFT MECHANISM  
 輸送傳動機構

Ref. No	Part No.	Name of Part		Amt. req.		Remarks
				9910	9920	
1	JS-610280	Retaining Ring	C型扣環	1	1	
2	JS-119085	Washer	華司	1	1	
3	JS-133283	Washer	針狀軸承蓋	6	6	
4	JS-215124	Needle Bearing	針狀軸承	3	3	
5	JS-118600	Bushing	套管	1	1	
6	JS-119163	Crank	萬向連結頭	1	1	
7	JS-108225	Screw	螺絲	1	1	
8	JS-119164	Clamp	萬向連結座	1	1	
9	JS-108177	Screw	螺絲	1	1	
10	JS-119084	Shaft	輸送主軸	1	1	
11	JS-118601	Bushing	套管	1	1	
12	JS-119521	Crank	單向輸送支臂	1	1	
13	JS-130224	Screw	螺絲	3	3	
14	JS-335902-1	Screw	螺絲	2	2	
15	JS-119521-1	Crank	單向輸送支臂	1	1	
16	JS-700689	Screw	螺絲	3	3	
17	JS-118603	Bushing	套管	1	1	
18	JS-118893	Collar	上邊心定環	1	1	(16)

# CLUTCH SET MECHANISM 離合器機構

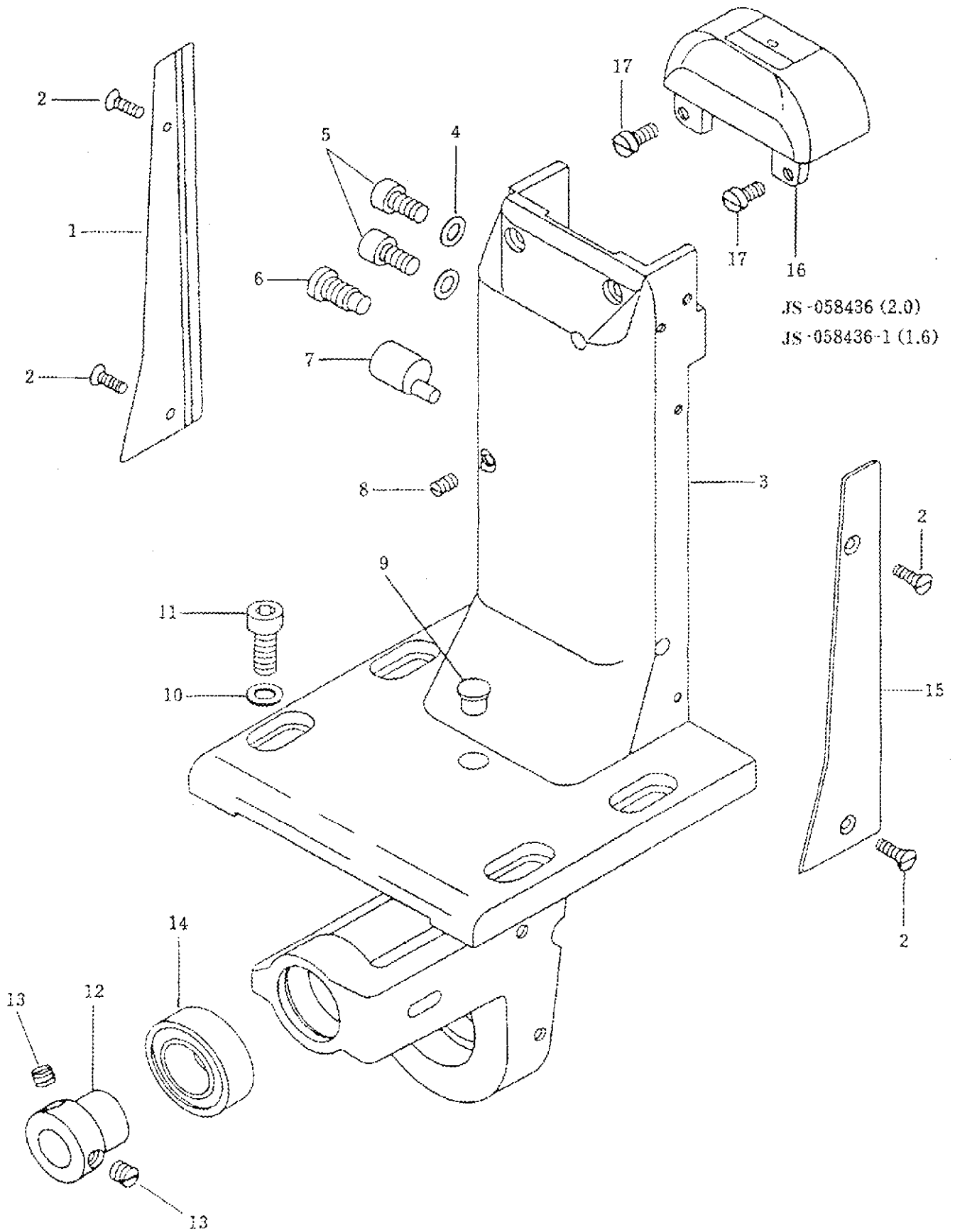


**CLUTCH SET MECHANISM**  
**離合器機構**

Ref. No	Part No.	Name of Part	Amt. req.		Remarks	
			9910	9920		
1	JS-175025	Shaft	萬向連結軸	1	1	
2	JS-518250	Retaining Ring	C型扣環	1	1	
3	JS-119711	Shaft	萬向連結軸(短)	1	1	
4	JS-175019	Coupler	軸連器(左)	1	1	
5	JS-341901	Screw	螺絲	4	4	
6	JS-133109	Connecting Plate	連接板	1	1	
7	JS-119081A	Safety Clutch	離合器組	1	1	(7-1~7-14)
7-1	JS-700510	Screw	螺絲	2	2	
7-2	JS-173263	Safety Clutch Seat	離合器座	1	1	
7-3	JS-013153	Spring	彈簧	2	2	
7-4	JS-173261	Latch	離合器爪	1	1	
7-5	JS-009408	Hinge Stud	固定座	1	1	
7-6	JS-173264	Coupler (right)	軸連器(右)	1	1	
7-7	JS-065052	Pin	平行梢	2	2	
7-8	JS-640150	E - Ring	E型扣環	1	1	
7-9	JS-175023	Stud	彈簧固定套	2	2	
7-10	JS-640130	E- ring	E型扣環	1	1	
7-11	JS-013076	Drop - In Pin	固定梢	1	1	
7-12	JS-069037	Washer	華司	1	1	
7-13	JS-009343	Spring	壓縮彈簧	1	1	
7-14	JS-175126	Ring	固定螺絲	1	1	

# BEDPLATE FEED MECHANISM FOR JS 9910

## 單針中座機構

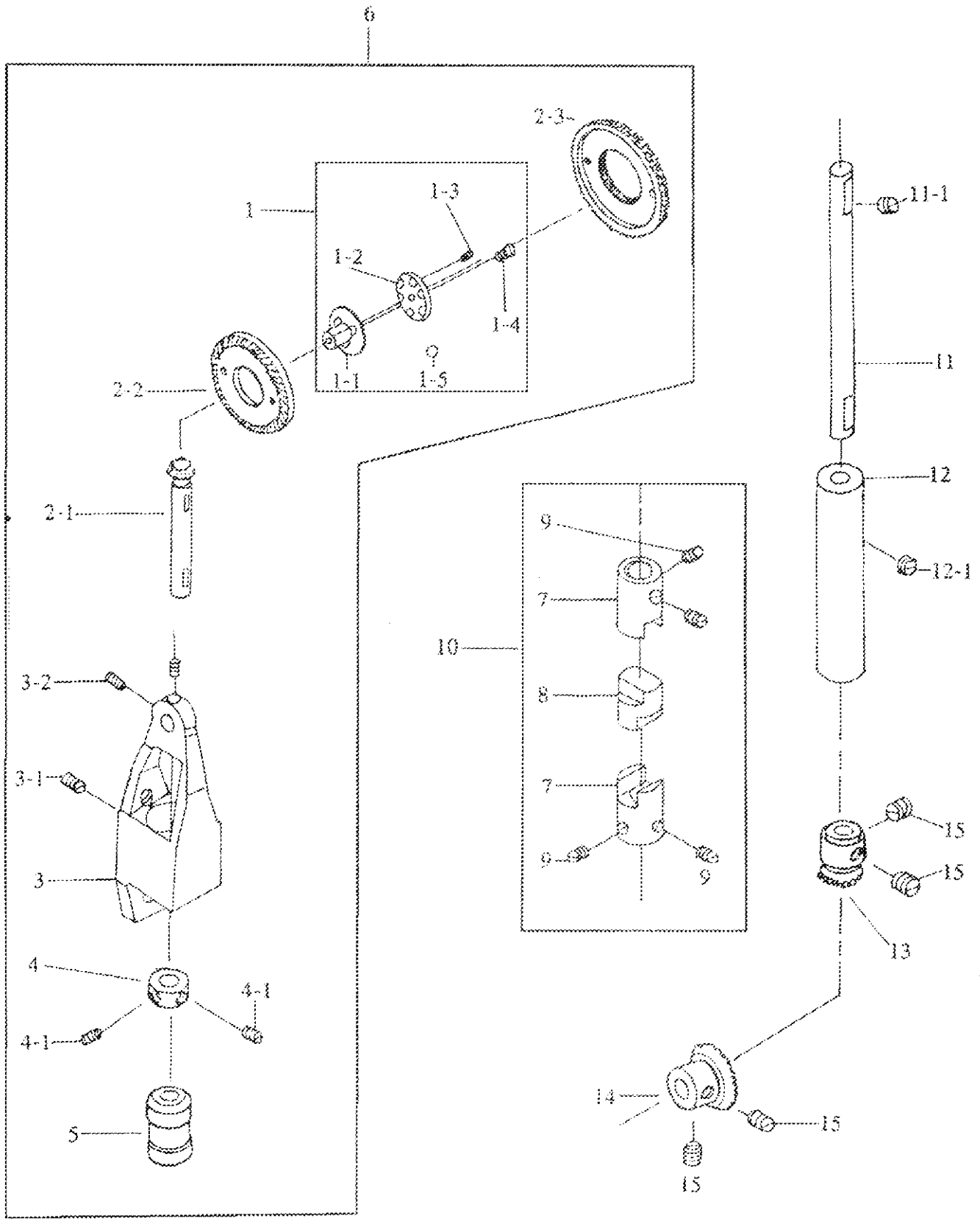


BEDPLATE FEED MECHANISM FOR JS 9910  
單針中座機構

Ref. No	Part No.	Name of Part	Ampl. req.		Remarks	
			9910	9920		
1	JS-119145	Cover Plate	邊蓋板	1	0	
2	JS-250084	Screw	螺絲	4	0	
3	JS-119721	Support Plate	單針中座	1	0	
4	JS-119144	Washer	華司	2	0	
5	JS-130224	Screw	螺絲	2	0	
6	JS-182451	Screw	螺絲	1	0	
7	JS-119725	Stud	調整梢	1	0	
8	JS-317170	Screw	螺絲	1	0	
9	JS-168351	Plug	油蓋	1	0	
10	JS-305174	Washer	華司	4	0	
11	JS-135292	Screw	螺絲	4	0	
12	JS-119121	Collar	主軸套管	1	0	
13	JS-700689	Screw	螺絲	2	0	
14	JS-016120	Ball Bearing	滾珠軸承	1	0	
15	JS-305144	Cover Plate	邊蓋板	1	0	
16	JS-058436	Needle Plate (2.0)	單針針板	1	0	
	JS-058436-I	Needle Plate (1.6)	單針針板	1	0	
17	JS-210158	Screw	螺絲	2	0	



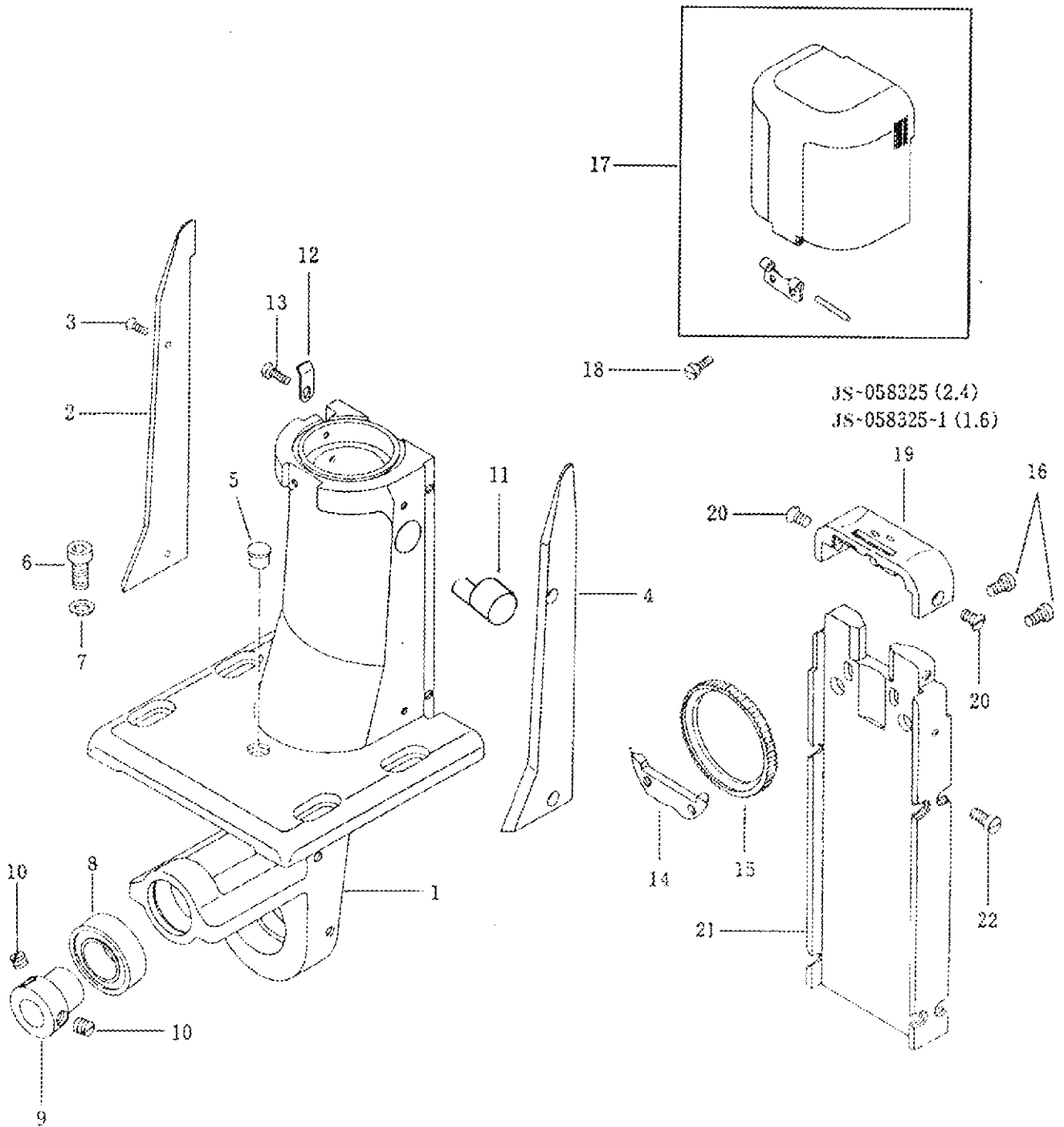
BEDPLATE GEAR FEED MECHANISM FOR JS 9910  
 中座齒輪傳動機構



BEDPLATE GEAR FEED MECHANISM FOR JS 9910  
 中座齒輪傳動機構

Ref. No	Part No.	Name of Part		Amt. req.		Remarks
				9910	9920	
1	JS-119795	Roller Bracker	送料齒輪軸	1	0	
1-1	JS-119795-1	Roller Bracket (Upper)	送料齒輪軸(上)	1	0	
1-2	JS-119795-2	Roller Bracket (Lower)	送料齒輪軸(下)	1	0	
1-3	JS-119795-3	Screw	螺絲	1	0	
1-4	JS-119795-4	Screw	螺絲	1	0	
1-5	JS-119795-5	Ball	鋼珠	24	0	
2	JS-119737	Bevel Gear	上下送料齒輪	1	0	
2-1	JS-119737-1	Roller Bracker	送料齒輪軸	1	1	
2-2	JS-119737-2	Roller Bracker	送料大齒輪	1	1	
2-3	JS-119737-3	Feed Wheel	送料輪	1	0	
3	JS-119723	Bracket	過線齒輪座	1	0	
3-1	JS-119723-1	Screw	螺絲	1	0	
3-2	JS-119723-2	Screw	螺絲	2	0	
4	JS-119670	Collar	定環	1	0	
4-1	JS-119670-1	Screw	螺絲	2	0	
5	JS-119724	Bushing	送料齒輪套環	1	0	(1~5)
6	JS-119723A	Bevel Gear Assy	送料齒輪組	1	0	
7	JS-119535	Bushing	軸連接器	2	0	
8	JS-119534	Clutch	塑膠接頭	1	0	
9	JS-119535-1	Screw	螺絲	4	0	(7~(8)
10	JS-119535A		連桿接頭組	1	0	
11	JS-119532	Shaft	中座軸	1	0	
11-1	JS-119535-1	Screw	螺絲	2	0	
12	JS-119533	Bushing	套管	1	0	
13	JS-5045	Bevel Gear (Small)	中座齒輪(小)	1	0	
14	JS-5046	Bevel Gear (Medium)	中座齒輪(中)	1	0	
15	JS-700689	Screw	螺絲	4	0	(13~15)
16	JS-175113		中座齒輪組	1	0	

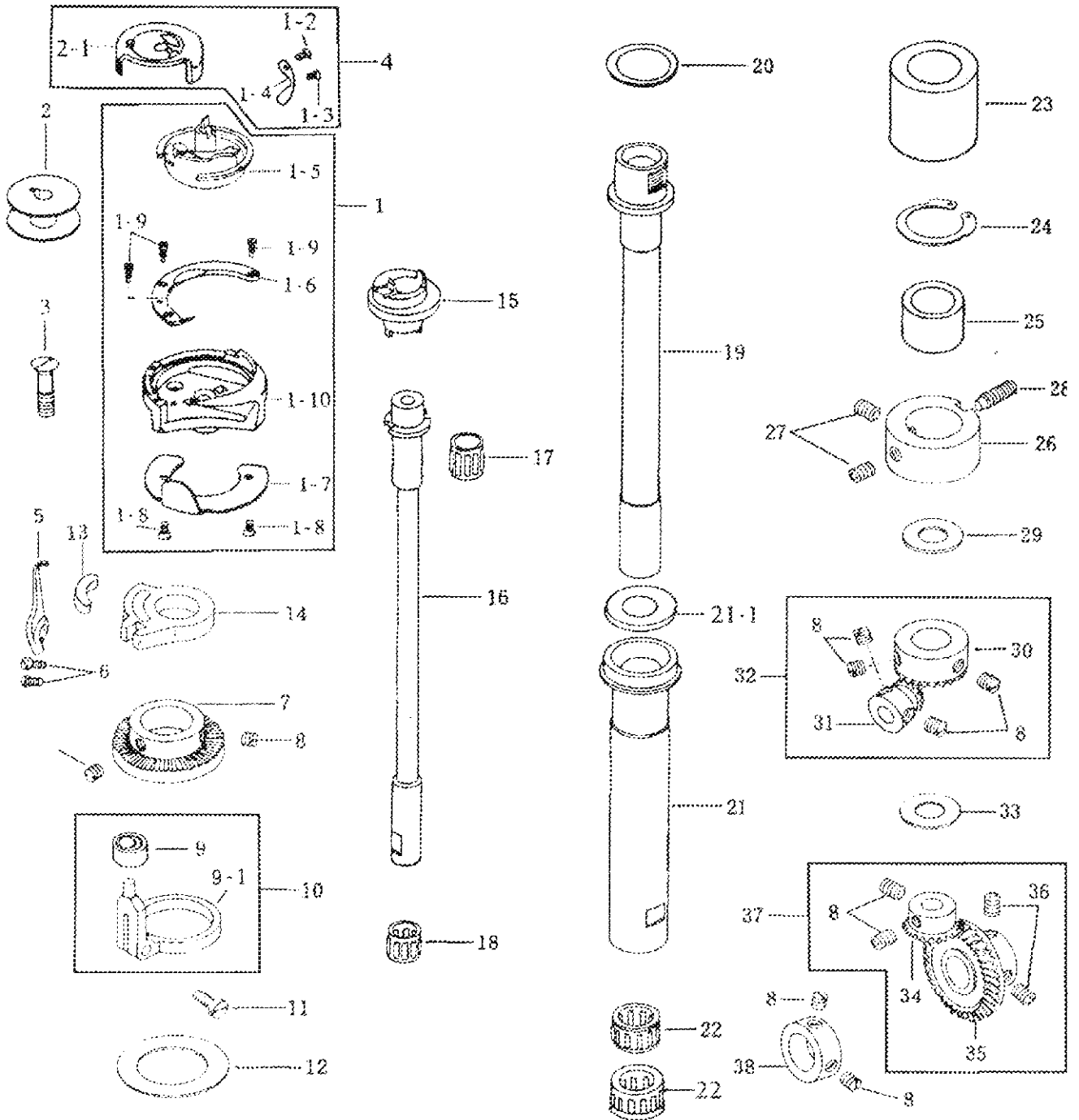
LEFT AND MIDDLE FEED MECHANISM FOR JS 9920  
左邊座和中座傳動機構



LEFT AND MIDDLE FEED MECHANISM FOR JS 9920  
 左邊座和中座傳動機構

Ref. No	Part No.	Name of Part		Amt. req.		Remarks
				9910	9920	
1	JS-119976	Side Bracket (Left)	附耳邊座(左)	0	1	
2	JS-119499	Cover Plate	邊蓋板	0	1	
3	JS-250084	Screw	螺絲	0	4	
4	JS-119695	Cover Plate	邊蓋板	0	1	
5	JS-168351	Plug	油蓋	0	1	
6	JS-135292	Screw	螺絲	0	4	
7	JS-305174	Washer	橢圓華司	0	4	
8	JS-016120	Ball Bearing	滾珠軸承	0	1	
9	JS-119121	Collar	主軸套管	0	1	
10	JS-700689	Screw	螺絲	0	2	
11	JS-175318	Stud	調整梢	0	1	
12	JS-119143	Spring Plate	彈簧板	0	1	
13	JS-108093	Screw	螺絲	0	1	
14	JS-119135	Bearing Plate	固定板	0	1	
15	JS-119136	Feed Wheel	送料齒輪	0	1	
16	JS-108174-1	Screw	螺絲	0	2	
17	JS-119140	Post Cap Assy	蓋蓋	0	2	
18	JS-108093	Screw	螺絲	0	2	
19	JS-058325	Needle Plate (2.4)	雙針針板	0	1	
	JS-058325-1	Needle Plate (1.6)	雙針針板	0	1	
	JS-058325-2	Needle Plate (2.0)	雙針針板	0	1	
20	JS-100296	Screw	螺絲	0	2	
21	JS-119296	Support Plate	雙針中座	0	1	
22	JS-108174-1	Screw	螺絲	0	8	

# LEFT BEDPLATE FEED MECHANISM FOR JS 9920 左邊座傳動機構

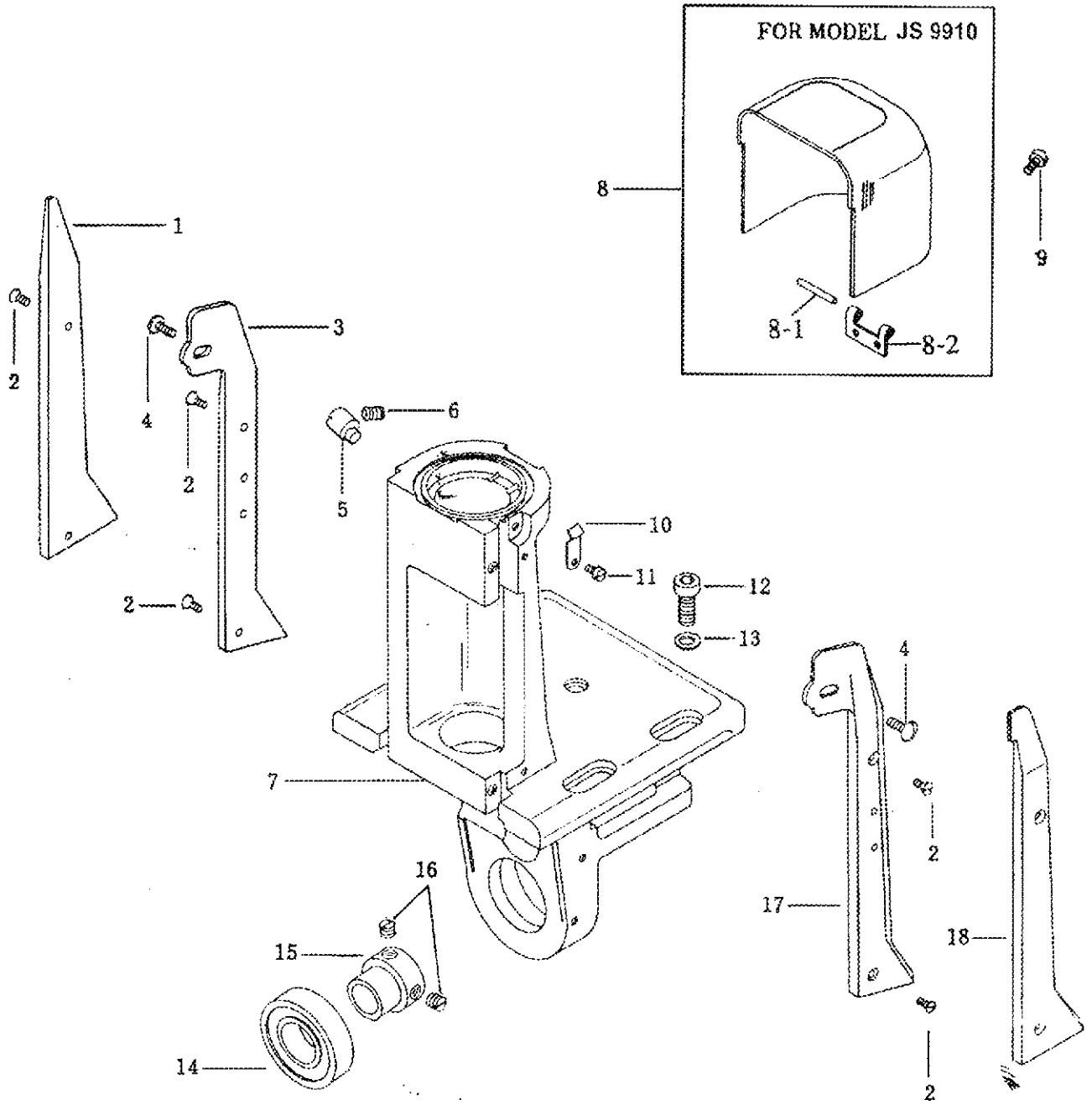


Ref. No	Part No.	Name of Part	Am't. req.		Remarks
			9910	9920	
1	JS-119716A	Hook Assy	0	1	1-1~10
1-2	JS-000390	Screw	0	1	
1-3	JS-000928	Screw	0	1	
1-4	JS-010166	Spring	0	1	
1-5	JS-119487	B/C Base	0	1	
1-6	JS-175136	Hook gib	0	1	
1-7	JS-119377	Noodle guard washer	0	1	
1-8	JS-000219	Screw	0	2	

LEFT BEDPLATE FEED MECHANISM FOR JS 9920  
左邊座傳動機構

Ref. No	Part No.	Name of Part	Amt. req.		Remarks
			9910	9920	
1-9	JS-100529	Screw	0	3	
1-10	JS-119376	Hook	0	1	
2	JS-010079	Bobbin	0	1	
2-1	JS-010158	Bobbin Case	0	1	
3	JS-100205	Screw	0	2	
4	JS-119716	Bobbin Case Assy	0	1	
5	JS-119129	Rotating Hook Opener	0	1	
6	JS-108093	Screw	0	2	
7	JS-119494	Driving Wheel	0	1	
8	JS-700689	Screw	0	8	
9	JS-694ZZ	Ball Bearing	0	1	
9-1	JS-119106-1	Driver	0	1	
10	JS-119106	Driver	0	1	(9)
11	JS-108177	Screw	0	1	
12	JS-119105	Washer	0	1	
13	JS-119128	Oil Felt	0	1	
14	JS-119127	Rotating Hook Opener Bracket	0	1	
15	JS-119525-1	Hook Driver	0	1	
16	JS-119525	Hook Shaft	0	1	
17	JS-215031	Needle Bearing	0	1	
18	JS-215028	Needle Bearing	0	1	
19	JS-119108	Feed Wheel Shaft	0	1	
20	JS-125010	Washer	0	1	
21	JS-119104	Pull-Off Shaft	0	1	
21-1	JS-119108-1	Washer	0	1	
22	JS-141710	Needle Bearing	0	2	
23	JS-119979	Bushing	0	1	
24	JS-664390	Retaining ring	0	1	
25	JS-175138	Bushing	0	1	
26	JS-119107	Bushing	0	1	
27	JS-341901	Screw	0	2	
28	JS-119950	Screw	0	1	
29	JS-119947	Washer (0.2)	0	1	
29-1	JS-119957	Washer (0.1)	0	2	
29-2	JS-119958	Washer (0.15)	0	1	
29-3	JS-119959	Washer (0.5)	0	1	
29-4	JS-119960	Washer (2.0)	0	1	
30	JS-119109-1	Bevel Gear (Large)	0	1	
31	JS-119109-2	Bevel Gear (Small)	0	1	
32	JS-119109	Bevel Gear Assy	0	1	
33	JS-125010	Washer (0.5)	0	1	(8,30,31)
33-1	JS-122718	Washer (0.1)	0	2	
33-2	JS-125005	Washer (0.15)	0	1	
33-3	JS-125009	Washer (0.2)	0	1	
34	JS-119133-1	Bevel Gear (Small)	0	1	
35	JS-119133-2	Bevel Gear (Large)	0	1	
36	JS-341901-1	Screw	0	2	
37	JS-119133	Gear Set	0	1	(8,34~36)
38	JS-123778	Collar	0	1	

RIGHT SIDE BRACKET MECHANISM FOR JS 9910,9920  
右邊座傳動機構

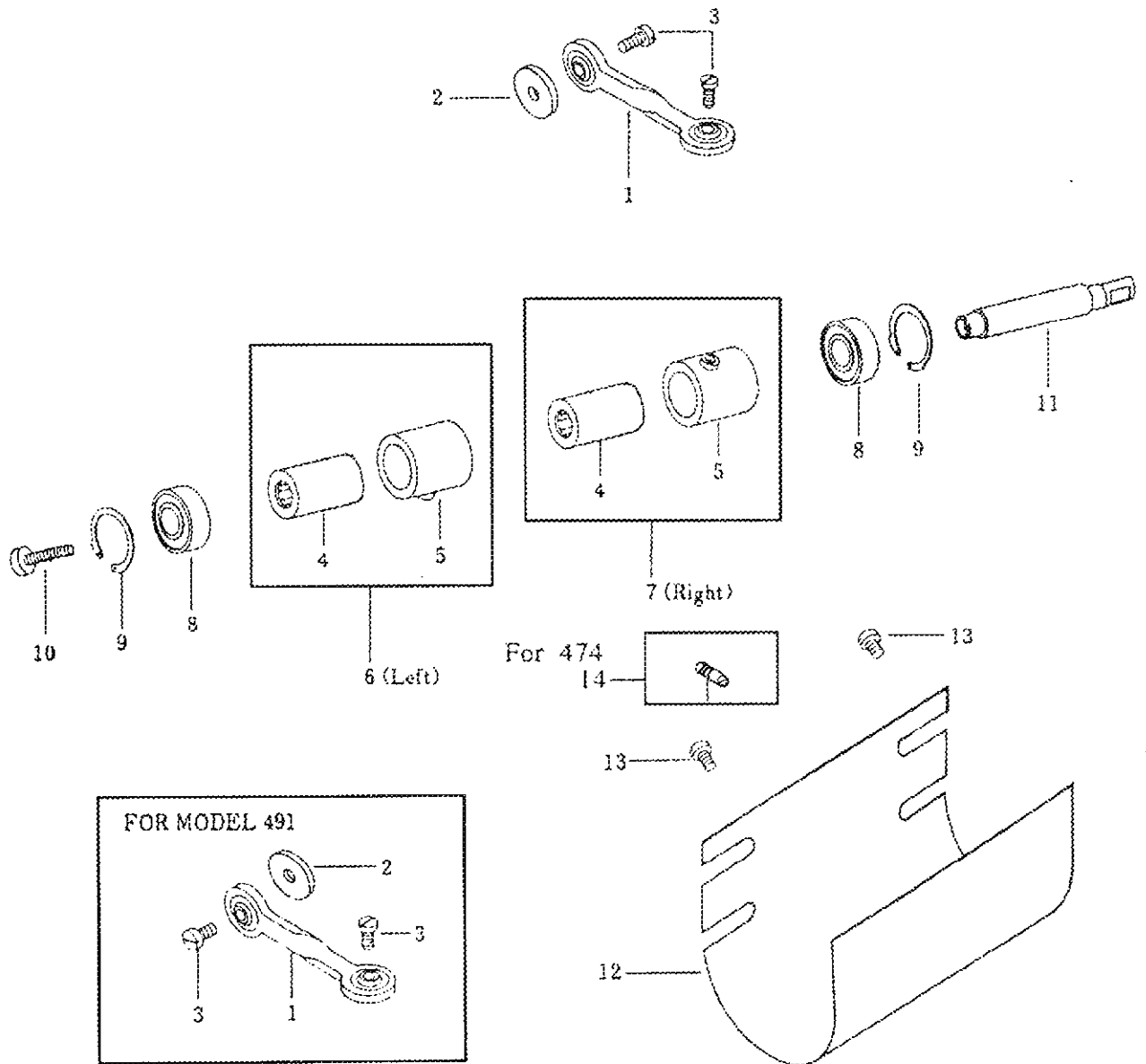


RIGHT SIDE BRACKET MECHANISM FOR JS 9910,9920  
右邊座傳動機構

Ref. No	Part No.	Name of Part	Amt. req.		Remarks
			9910	9920	
1	JS-119695	Cover Plate 邊蓋板	0	1	
2	JS-250084	Screw 螺絲	4	4	
3	JS-175267	Cover Plate 邊蓋板	1	0	
4	JS-700336	Screw 螺絲	2	0	
5	JS-175318	Stud 調整梢	1	1	
6	JS-330217	Screw 螺絲	1	1	
7	JS-175324	Side Bracket (Right) 單針邊座	1	0	
7-1	JS-119168	Side Bracket (Right) 單針邊座	0	1	
8	JS-119436	Post Cap Assy 釜蓋	1	0	
9	JS-108093	Screw 螺絲	2	0	
10	JS-119143	Spring Plate 彈簧板	1	1	
11	JS-108093	Screw 螺絲	1	1	
12	JS-135292	Screw 螺絲	4	4	
13	JS-305174	Washer 橢圓華司	4	4	
14	JS-016120	Ball Bearing 滾珠軸承	1	1	
15	JS-119121	Collar 主軸套管	1	1	
16	JS-700689	Screw 螺絲	2	2	
17	JS-175234	Cover Plate 邊蓋板	1	0	
18	JS-119499	Cover Plate 邊蓋板	0	1	



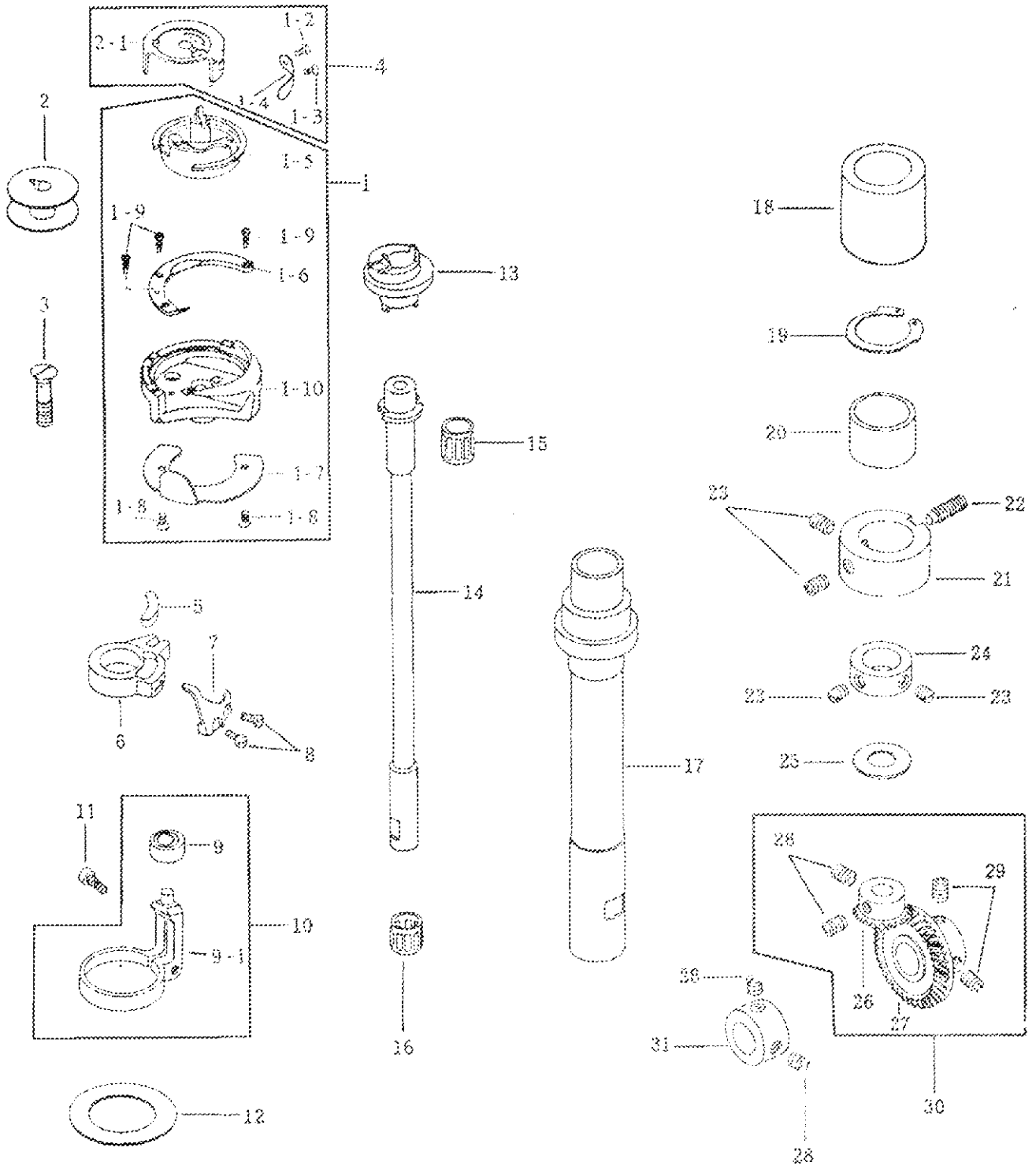
FEED MECHANISM FOR JS 9910,9920  
單向齒輪傳動機構



FEED MECHANISM FOR JS 9910,9920  
單向齒輪傳動機構

Ref. No	Part No.	Name of Part	Am't. req.		Remarks
			9910	9920	
1	JS-119507	Link 萬向軸承拉桿	2	1	
2	JS-119087	Oil Felt 油棉	2	1	
3	JS-174176	Screw 螺絲	4	2	
4	JS-061014	Needle Bearing 針狀軸承	2	2	
5	JS-119115-1	Free-Wheeling Seat 單向培林座	2	2	
6	JS-119112	Free-Wheeling (Left) 單向培林座組(左)	1	1	(4,5)
7	JS-119115	Free-Wheeling (Right) 單向培林座組(右)	1	1	(4,5)
8	JS-012555	Ball Bearing 滾珠軸承	2	2	
9	JS-664350	Retaining Ring C型扣環	2	2	
10	JS-173174	Screw 螺絲	1	1	
11	JS-119111	Shaft 培林軸	1	1	
12	JS-119216	Housing Front Section 護片	1	1	
13	JS-108174	Screw 螺絲	4	4	
14	JS-119115-3	Screw 螺絲	0	1	

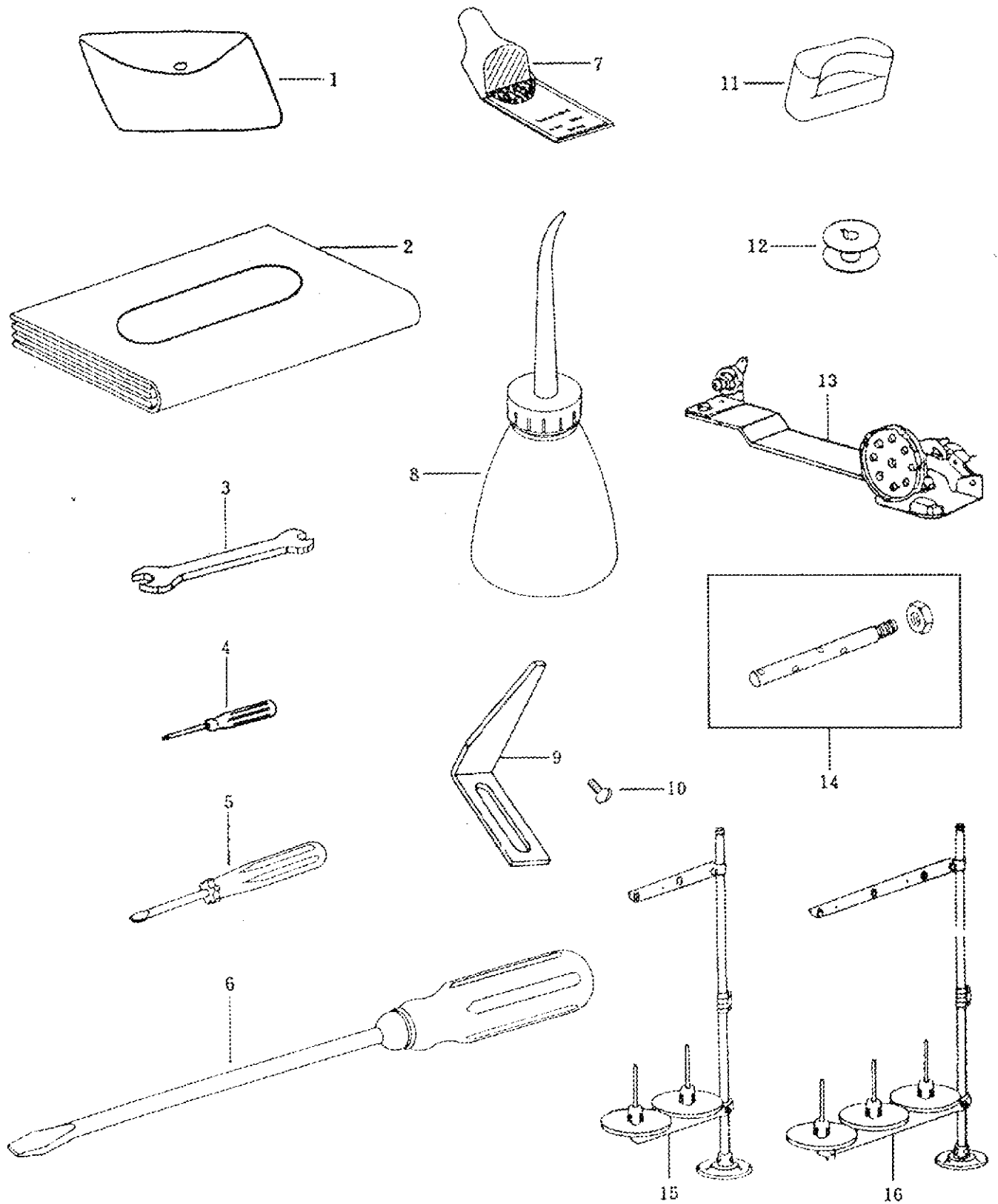
RIGHT BEDPLATE FEED MECHANISM FOR JS 9910,9920  
 右邊座傳動機構



RIGHT BEDPLATE FEED MECHANISM FOR JS 9910,9920  
右邊座傳動機構

Ref. No	Part No.	Name of Part	Amt. req.		Remarks
			9910	9920	
1	JS-119716A	Hook Assy.	1	1	(1-1-8)
1-2	JS-000390	Screw	1	2	
1-3	JS-000928	Screw	1	1	
1-4	JS-010166	Spring	1	1	
1-5	JS-119487	B/C Base	1	1	
1-6	JS-175136	Hook gib	1	1	
1-7	JS-119377	Noodle guard washer	1	1	
1-8	JS-000219	Screw	2	2	
1-9	JS-100529	Screw	3	6	
1-10	JS-119376	Hook	1	1	
2	JS-010079	Bobbin	1	1	(9)
2-1	JS-010158	Bobbin Case	1	2	
3	JS-100205	Screw	1	2	
4	JS-119716	Bobbin case Assy	1	1	
5	JS-119128	Oil Felt	1	1	
6	JS-119127	Rotating Hook Opener Bracket	1	1	
7	JS-119129	Rotating Hook Opener	1	1	
8	JS-108093	Screw	2	2	
9	JS-6942Z	Ball Bearing	1	1	
9-1	JS-119106-1	Driver	1	1	
10	JS-119106	Driver	1	1	
11	JS-108177	Screw	1	1	
12	JS-119105	Washer	1	1	
13	JS-119525-1	Hook Driver	1	1	
14	JS-119525	Hook Shaft	1	1	
15	JS-215031	Needle Bearing	1	1	
16	JS-215028	Needle Bearing	1	1	
17	JS-119524	Feed Wheel Shaft	1	1	
18	JS-119979	Bushing	1	1	
19	JS-664390	Retaining Ring	1	1	
20	JS-175138	Bushing	1	1	
21	JS-119107	Bushing	1	1	
22	JS-119950	Screw	1	1	
23	JS-341901	Screw	4	4	
24	JS-131088	Collar	1	1	
25	JS-125010	Washer (0.5)	2	2	
25-1	JS-122718	Washer (0.1)	1	1	
25-2	JS-125008	Washer (0.15)	1	1	
25-3	JS-125009	Washer (0.2)	1	1	
26	JS-119133-1	Bevel Gear (Small)	1	1	
27	JS-119133-2	Bevel Gear (Large)	1	1	
28	JS-700689	Screw	4	4	
29	JS-341901-1	Screw	2	2	
30	JS-119133	Gear Set	1	1	(25~29)
31	JS-123778	Collar	1	1	

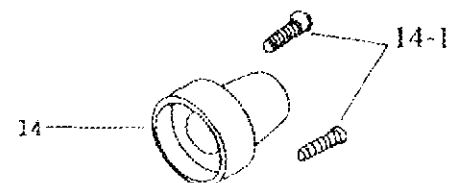
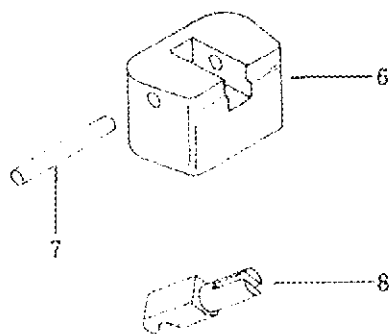
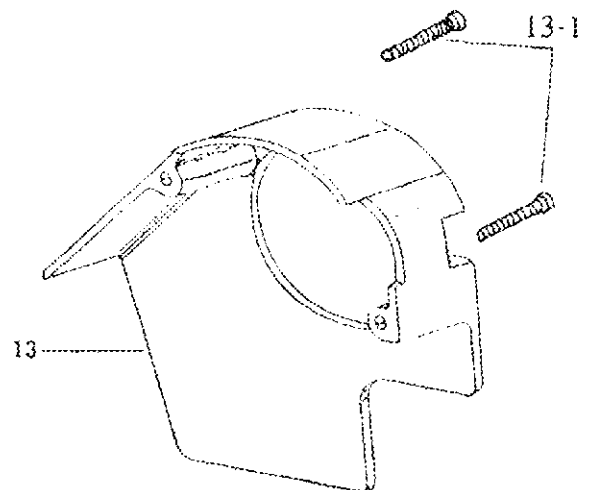
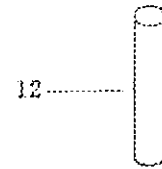
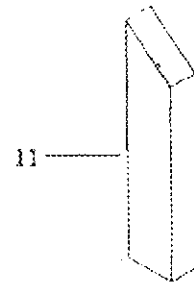
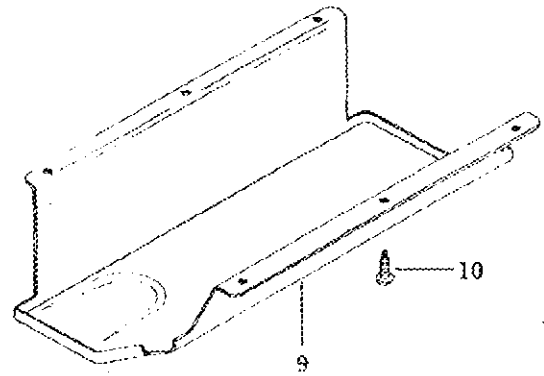
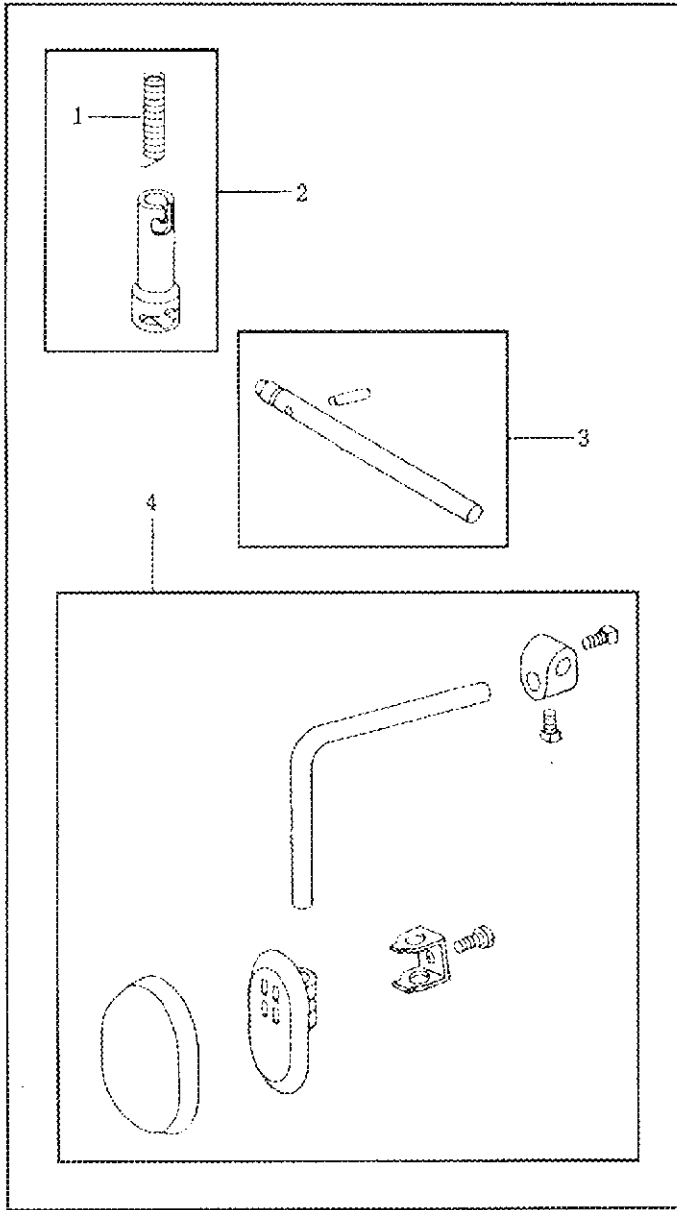
SPECIAL PARTS  
特殊配件



**SPECIAL PARTS**  
**特殊配件**

Ref. No.	Part No.	Name of Part		Ampl. req.		Remarks
				9910	9920	
1	JS-123456	Accessory Bag	零件袋	1	1	
2	JS-029836	Vinyl Cover	車頭蓋	1	1	
3	JS-800110	Spanner	扳手	1	1	
4	JS-129915	Screw Driver (Small)	螺絲起子(小)	1	1	
5	JS-029946	Screw Driver (Middle)	螺絲起子(中)	1	1	
6	JS-029007	Screw Driver (Large)	螺絲起子(大)	1	1	
7	JS-134356	Needle	針	10	10	
8	JS-029394	Oiler	油壺	1	1	
9	JS-119089-1	Stitching Length Indicator	指示針	1	1	
10	JS-100355	Screw	螺絲	1	1	
11	JS-032808	Head Cushion	腳墊(小)	2	2	
12	JS-010079	Bobbin	梭仔子	4	4	
13	JS-259431	Bobbin Winder	捲線器	1	1	
14	JS-119026	Spool Pin	遮線桿	1	1	
15	JS-FPL2	Thread Stand (2-Pole)	單針線架	1	0	
16	JS-FPL3	Thread Stand (3-Pole)	雙針線架	0	1	

ACCESSORIES FOR JS 9910,9920  
附件



ACCESSORIES FOR JS 9910,9920  
附件

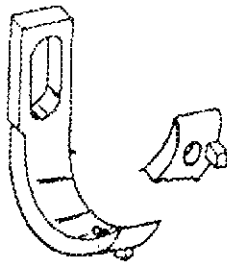
Ref. No	Part No.	Name of Part	Amt. req.		Remarks
			9910	9920	
1	JS-171543	Spring 彈簧	1	1	
2	JS-171542	Knee Lever Coupling 腳押連桿頭	1	1	
3	JS-171413	Knee Lever Rod 腳押軸	1	1	
4	JS-171412	Knee Lever Assy 腳弓組	1	1	(2~4)
5	JS-171411	Knee Lever Rod Assy 腳弓押組	1	1	
6	JS-029934	Hinge Connection Seat 後鈕腳墊(大)	2	2	
7	JS-030341	Pin 平行梢	2	2	
8	JS-029450	Hinge Pin 後鈕鈎	2	2	
9	JS-118636	Oil Pan 油槽	1	1	
10	JS-460157	Screw 螺絲	6	6	
11	JS-032717	Head Rest Wood 枕木	1	1	
12	JS-032717-1	Housing Support Stud 固定梢	1	1	
13	JS-119078	Belt Cover Set (Large) 皮帶蓋(大)	1	1	
13-1	JS-119089-2	Screw 螺絲	2	2	
14	JS-119088	Belt Cover Set (Small) 皮帶蓋(小)	1	1	
14-1	JS-119078-1	Screw 螺絲	2	2	



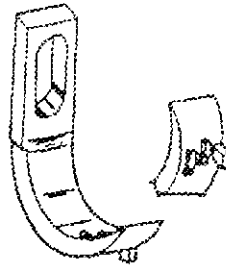
FOR JS 9920 PRESSER FEET



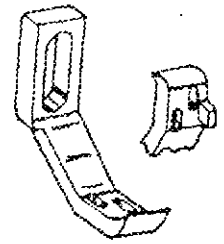
9920-1



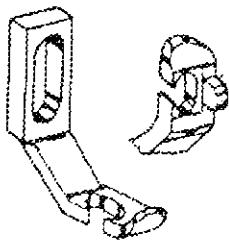
9920-2



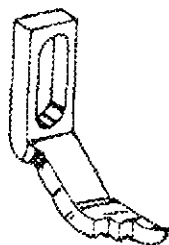
9920-3



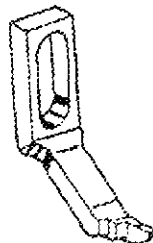
9920-4



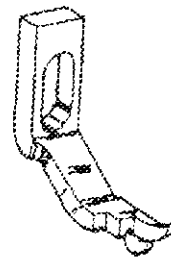
9920-5



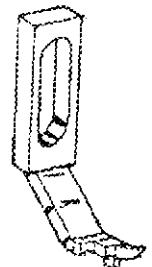
9920-6



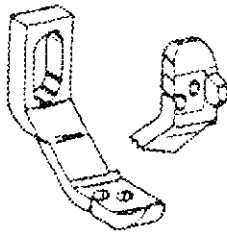
9920-7



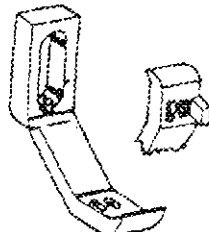
9920-8



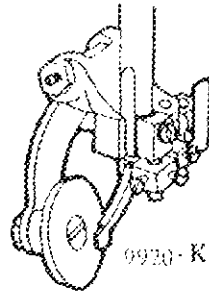
9920-9



9920-10

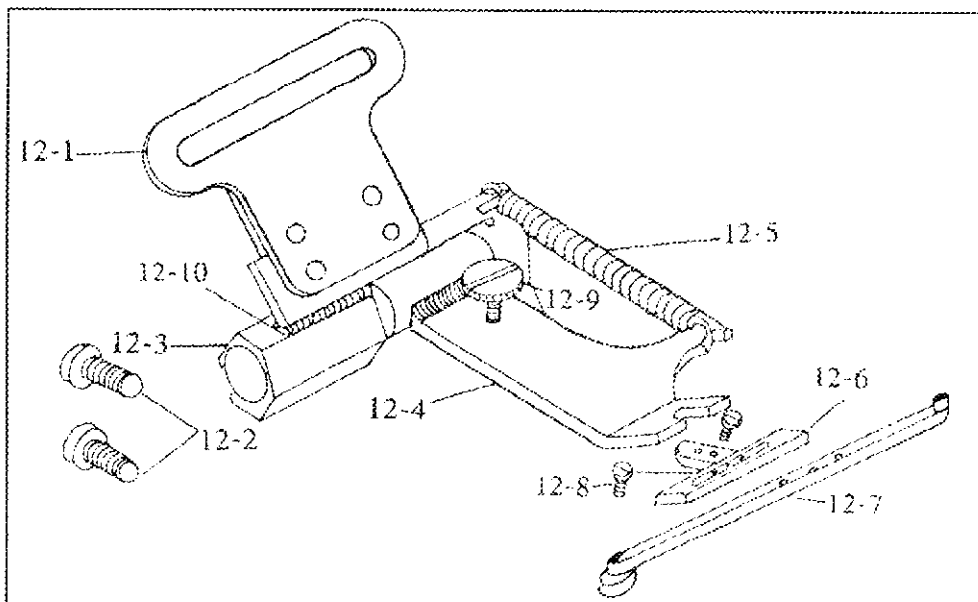


9920-11



9920-K2

9920-12  
9920 Gauge



# INDEX

## 索引

PART NO	REF PAGE	PART NO	REF PAGE	PART NO	REF PAGE
JS-FPL2	22	JS-100205	18.21	JS-118858	8
JS-FPL3	22	JS-100296	17	JS-118893	13
JS-69422	18.21	JS-100331	10	JS-119004	10
JS-5045	16	JS-100355	9.22	JS-119007	5
JS-5046	16	JS-100529	18.21	JS-119008	5
JS-6906	12	JS-108093	17.18.19.21	JS-119009	5
JS-000219	18.21	JS-108171	10	JS-119013	5
JS-000390	18.21	JS-108174	20	JS-119014	9
JS-000928	18.21	JS-108174-1	8.17	JS-119015	9
JS-009343	14	JS-108177	7.13.18.21	JS-119016	10
JS-009408	14	JS-108219	9	JS-119018	10
JS-010079	18.21.22	JS-108225	1.7.13	JS-119018-1	10
JS-010158	18.21	JS-108225-2	7	JS-119018-2	10
JS-010166	18.21	JS-108234	1	JS-119019	10
JS-012555	20	JS-108246	1	JS-119019-1	10
JS-013076	14	JS-108285	8	JS-119026	22
JS-013153	14	JS-108285-1	1.9	JS-119027	1
JS-016120	15.17.19	JS-108294	3	JS-119039	1
JS-016153	6	JS-118084	5	JS-119042	7
JS-018613	11	JS-118105	10	JS-119042-2	7
JS-018624	11	JS-118195	8	JS-119046	8
JS-018643	6	JS-118195-1	8	JS-119049	5
JS-020490	8	JS-118196	8	JS-119078	23
JS-024191	8	JS-118197	8	JS-119078-1	23
JS-025874	10	JS-118198	8	JS-119081A	14
JS-029007	22	JS-118430	1	JS-119084	13
JS-029394	22	JS-118503	7.9	JS-119085	7.13
JS-029450	23	JS-118504	7.9	JS-119087	3.20
JS-029836	22	JS-118518	5	JS-119088	23
JS-029934	23	JS-118520	9	JS-119081-1	1
JS-029946	22	JS-118520-1	9	JS-119089-1	22
JS-030310	8	JS-118521	9	JS-119089-2	1
JS-030341	23	JS-118530	10	JS-119091	1
JS-032717	23	JS-118535	10	JS-119092	1
JS-032717-1	23	JS-118536	10	JS-119097	11
JS-032808	22	JS-118536-1	10	JS-119104	18
JS-033145	4	JS-118536A	10	JS-119105	18.21
JS-039177	5	JS-118539	10	JS-119106	18.21
JS-049657	10	JS-118542	10	JS-119106-1	18
JS-049657-1	10	JS-118543	8	JS-119107	18.21
JS-054876	10	JS-118543A	8	JS-119108	18
JS-058325	17	JS-118544	8	JS-119108-1	18
JS-058235-1	17	JS-118545	8	JS-119109	18
JS-058436	15	JS-118553	2	JS-119109-1	18
JS-058436-1	15	JS-118577	10	JS-119109-2	18
JS-061014	3.20	JS-118594	9	JS-119111	20
JS-065052	14	JS-118600	7.9.13	JS-119112	20
JS-069037	14	JS-118601	13	JS-119115	20
JS-069079	10	JS-118603	13	JS-119115-1	20
JS-069160	6	JS-119610	9	JS-119115-3	20
JS-069160-1	6	JS-118612	8.12	JS-119121	11.15.17.19
JS-069161	11	JS-118636	23	JS-119127	18.21
JS-069161-1	11	JS-118726	11	JS-119128	18.21
JS-069746	6	JS-118857	8	JS-119129	18.21

# INDEX

## 索引

PART NO.	REF PAGE	PART NO.	REF PAGE	PART NO.	REF PAGE
JS-119133	18.21	JS-119503	3	JS-119795	16
JS-119133-1	18.21	JS-119505	3	JS-119795-1	16
JS-119133-2	18.21	JS-119506	3	JS-119795-2	16
JS-119136	17	JS-119507	3.20	JS-119795-3	16
JS-119138	17	JS-119511	7	JS-119795-4	16
JS-119140	17	JS-119521	13	JS-119795-5	16
JS-119143	17.19	JS-119521-1	13	JS-119802	4
JS-119144	15	JS-119524	21	JS-119803	4
JS-119145	15	JS-119525	18.21	JS-119803-1	4
JS-119150	3	JS-119525-1	18	JS-119807	4
JS-119158	3	JS-119525-2	8	JS-119886	3
JS-119159	3	JS-119532	16	JS-119940	9
JS-119160	3	JS-119533	16	JS-119940-4	9
JS-119161	11	JS-119534	16	JS-119940-5	9
JS-119163	7.13	JS-119535	16	JS-119943	4
JS-119164	7.13	JS-119535-1	16	JS-119947	18
JS-119165	10	JS-119535A	16	JS-119950	18.21
JS-119165-1	10	JS-119670	16	JS-119953	4
JS-119168	19	JS-119670-1	16	JS-119953	4
JS-119171	2	JS-119686	1	JS-119955	4
JS-119171-1	2	JS-119687	1	JS-119956	4
JS-119171-2	2	JS-119695	17.19	JS-119957	18
JS-119171-3	2	JS-119702-1	6	JS-119958	18
JS-119171-4	2	JS-119702-2	6	JS-119959	18
JS-119171-5	2	JS-119702-3	6	JS-119960	18
JS-119171-6	2	JS-119702-4	6	JS-119961	3
JS-119171-7	2	JS-119702-5	6	JS-119962	3
JS-119171-8	2	JS-119702-6	6	JS-119963	3
JS-119171-9	2	JS-119702A	7	JS-119976	17
JS-119171-10	2	JS-119705	6	JS-119979	18.21
JS-119171-11	2	JS-119706	11	JS-122718	18.21
JS-119171-12	2	JS-119707	6.11	JS-123456	22
JS-119171-13	2	JS-119708	11	JS-123773	18.21
JS-119171-14	2	JS-119711	14	JS-123788	21
JS-119171-15	2	JS-119716	18.21	JS-125008	18.21
JS-119171-16	2	JS-119716A	18.21	JS-125009	18.21
JS-119171-17	2	JS-119718	8	JS-125010	18.21
JS-119171-18	2	JS-119718-2	8	JS-129915	22
JS-119171-19	2	JS-119721	15	JS-130173	10
JS-119171-20	2	JS-119723	16	JS-130188	21
JS-119171-21	2	JS-119723-1	16	JS-130224	6.7.8.9.13.15
JS-119171-22	2	JS-119723-2	16	JS-130224-1	8
JS-119171-23	2	JS-119723A	16	JS-133105	14
JS-119171-24	2	JS-119724	16	JS-133116	4
JS-119216	20	JS-119725	15	JS-133116-1	4
JS-119296	17	JS-119737	16	JS-133783	7.9.13
JS-119376	18.21	JS-119737-1	16	JS-134356	8.22
JS-119377	18.21	JS-119737-2	16	JS-135292	15.17.19
JS-119436	19	JS-119737-3	16	JS-134730	18.21
JS-119469	4	JS-119762	5	JS-165356	12
JS-119487	18.21	JS-119763	5	JS-165356-1	12
JS-119491	4	JS-119765	5	JS-165356-2	12
JS-119494	18	JS-119766	2	JS-165356-3	12
JS-119499	17.19	JS-119766-1	2	JS-165356-4	12

# INDEX

## 索引

PART NO	REF PAGE	PART NO	REF PAGE	PART NO	REF PAGE
JS-165356-5	12	JS-175108-1	4	JS-610280	13
JS-165356-6	12	JS-175108-2	4	JS-610300	11
JS-165356-7	12	JS-175108-3	4	JS-610370	7
JS-165356-8	12	JS-175109	4	JS-640120	3
JS-167569	5	JS-175109-1	4	JS-640130	14
JS-167570	5	JS-175109-2	4	JS-640150	8,10,14
JS-168039	5	JS-175109-3	4	JS-640210	3
JS-168041	5	JS-175109-4	4	JS-660290	3
JS-168046	5	JS-175109-5	4	JS-664290	4
JS-168047	5	JS-175109-6	4	JS-664350	20
JS-168061	1	JS-175109-7	4	JS-664390	18,21
JS-168351	15,17	JS-175113	16	JS-700017	10
JS-168480	6	JS-175126	14	JS-700335	1
JS-169137	8	JS-175135	10	JS-700336	19
JS-170913	6	JS-175136	18,21	JS-700412	2
JS-171411	23	JS-175138	18,21	JS-700412-1	2
JS-171412	23	JS-175150	7,8	JS-700510	6,10,14
JS-171413	23	JS-175234	19	JS-700510-1	10
JS-171542	23	JS-175267	19	JS-700785	10
JS-171543	23	JS-175318	17,19	JS-700868	8
JS-173174	4,10,20	JS-175324	19	JS-700868-1	8
JS-173261	14	JS-182451	15	JS-706169	9
JS-173263	14	JS-210043	4	JS-756901	3
JS-173264	14	JS-210168	15	JS-800110	22
JS-174173	8	JS-210210	1		
JS-174176	3,20	JS-210265	6		
JS-175019	14	JS-210287	6		
JS-175023	14	JS-215022	5		
JS-175025	14	JS-215028	7,8,12,18,21		
JS-175029	12	JS-215031	18,21		
JS-175029-1	12	JS-215124	7,9,13		
JS-175029-2	12	JS-218080	5		
JS-175029-3	12	JS-242810	7		
JS-175029-4	12	JS-250084	15,17,19		
JS-175029-5	12	JS-259431	22		
JS-175029-6	12	JS-305144	15		
JS-175029-7	12	JS-305174	15,17,19		
JS-175029-8	12	JS-305305	8		
JS-175029-9	12	JS-314220	5		
JS-175029-10	12	JS-314286	9,10		
JS-175029-11	12	JS-314946	1		
JS-175029-12	12	JS-317170	15		
JS-175029-13	12	JS-317950	10		
JS-175038	12	JS-330217	19		
JS-175038A	12	JS-335902	6,11		
JS-175048	6	JS-335902-1	6,11,13		
JS-175096	8	JS-341901	14,18,21		
JS-175096-1	2	JS-341901-1	18,21		
JS-175096-2	8	JS-341902	6		
JS-175107	4	JS-343901	10		
JS-175107-1	4	JS-460185	23		
JS-175107-2	4	JS-518210	4		
JS-175107-3	4	JS-518250	14		
JS-175108	4	JS-610210	5		



本书所有技术资料仅供参考!  
ALL TECHNICAL DATA ARE REFERENCE ONLY.

地址: 浙江台州路桥长浦工业区 318050  
ADD.: CHANGPU INDUSTRIAL PARK, LUQIAO ZONE  
TAIZHOU CITY ZHEJIANG CHINA 318050  
销售热线: 0576-2423886 2523568  
EXPORT TEL: 86-576-2423889 2423733  
传真: 0576-2423918  
EXPORT FAX: 86-576-2423722  
全国免费服务热线: 8008576258  
www.tongyu.com E-mail: protex@tongyu.com

2004年10月第二版第二次印刷  
THE SECOND IMPRESSION  
OF  
THE SECOND EDITION  
ON OCT. 2004  
印 数 500  
PRINTED IN CHINA  
版权所有 翻版必究  
ALL RIGHTS RESERVED