

MODEL : LK-1900A

List No : 1368-03

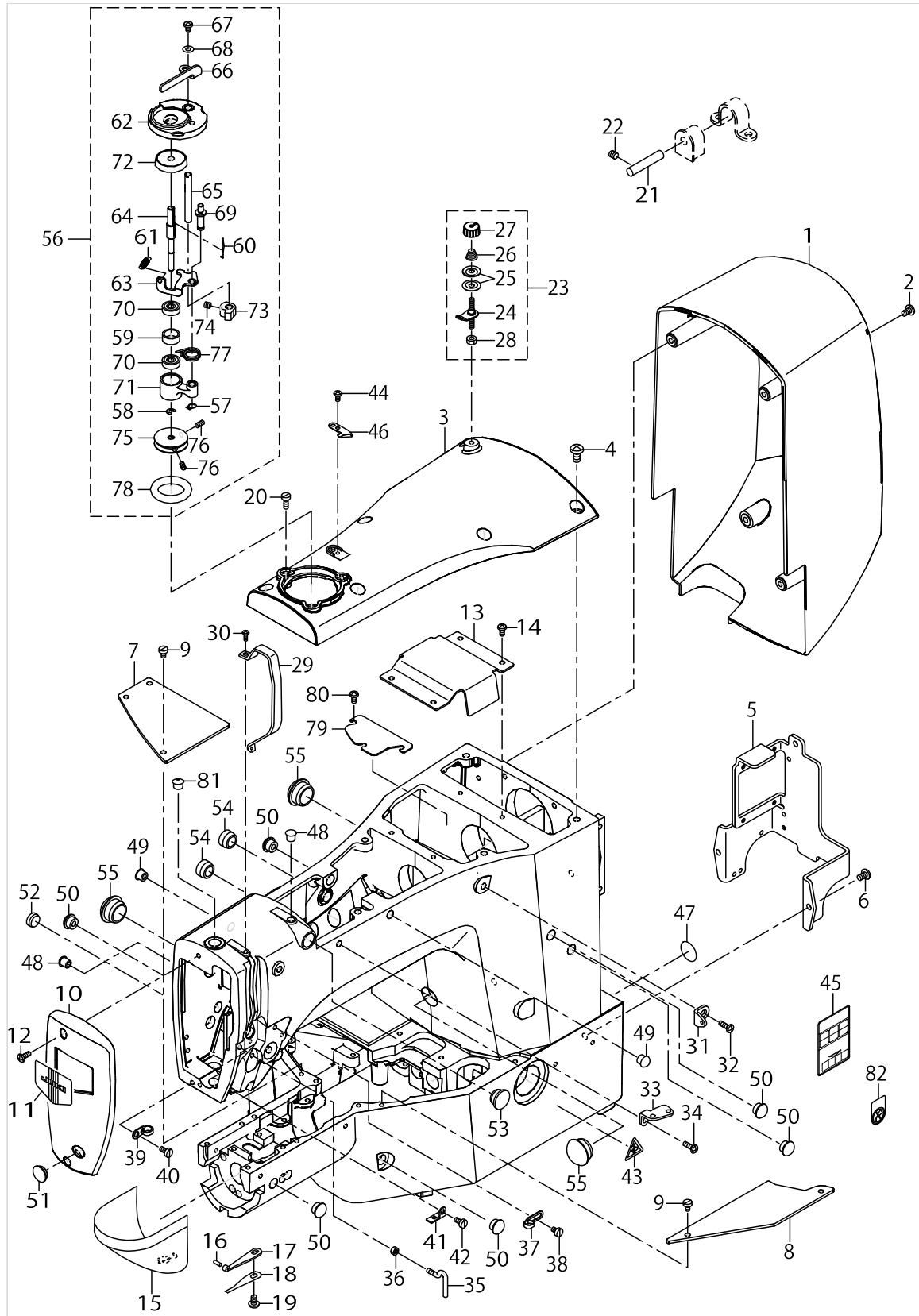
PARTS LIST

Published:04/01/2017

CONTENTS

FRAME & MISCELLANEOUS COVER COMPONENTS	1
MAIM SHAFT & NEEDLE BAR COMPONENTS	5
PRESSER LIFTER & WIPER COMPONENTS	9
SHUTTLE DRIVER SHAFT COMPONENTS.....	13
THREAD TENSION COMPONENTS	17
THREAD TRIMMER MECHANISM COMPONENTS.....	21
FEED MECHANISM COMPONENTS.....	25
TC CLAMP COMPONENTS.....	29
SENSOR COMPONENTS.....	31
THREAD STAND COMPONENTS.....	33
TABLE STAND COMPONENTS (JT-K44).....	35
CONTROL BOX COMPONENTS	37
OPERATION PANEL COMPONENTS.....	41
WIRING DIAGRAM.....	43
ACCESSORIE PART COMPONENTS.....	47
EXCLUSIVE PARTS FOR LK-1901AS (1).....	49
EXCLUSIVE PARTS FOR LK-1901AS (2).....	53
EXCLUSIVE PARTS FOR LK-1902AS,LK-1902AH (1).....	57
EXCLUSIVE PARTS FOR LK-1902AS,LK-1902AH (2)(TABLE STAND COMPONENTS/JT-K43)....	61
EXCLUSIVE PARTS FOR LK-1903AS-301,LK-1903AS-302 (1).....	63
EXCLUSIVE PARTS FOR LK-1903AS-301,LK-1903AS-302 (2).....	67
ACCESSORIES PARTS FOR LK-1900A SUBCLASSES.....	71
OPTION COMPONENTS (1).....	73
OPTION COMPONENTS (2) (FOR LK-1902A,LK-1903A).....	79
LK-1903A:OPTION COMPONENTS(FOR SHANK BUTTON).....	81
LIST FOR INFOMATION OF CHNGE (1).....	85
LIST FOR INFOMATION OF CHNGE (2).....	86

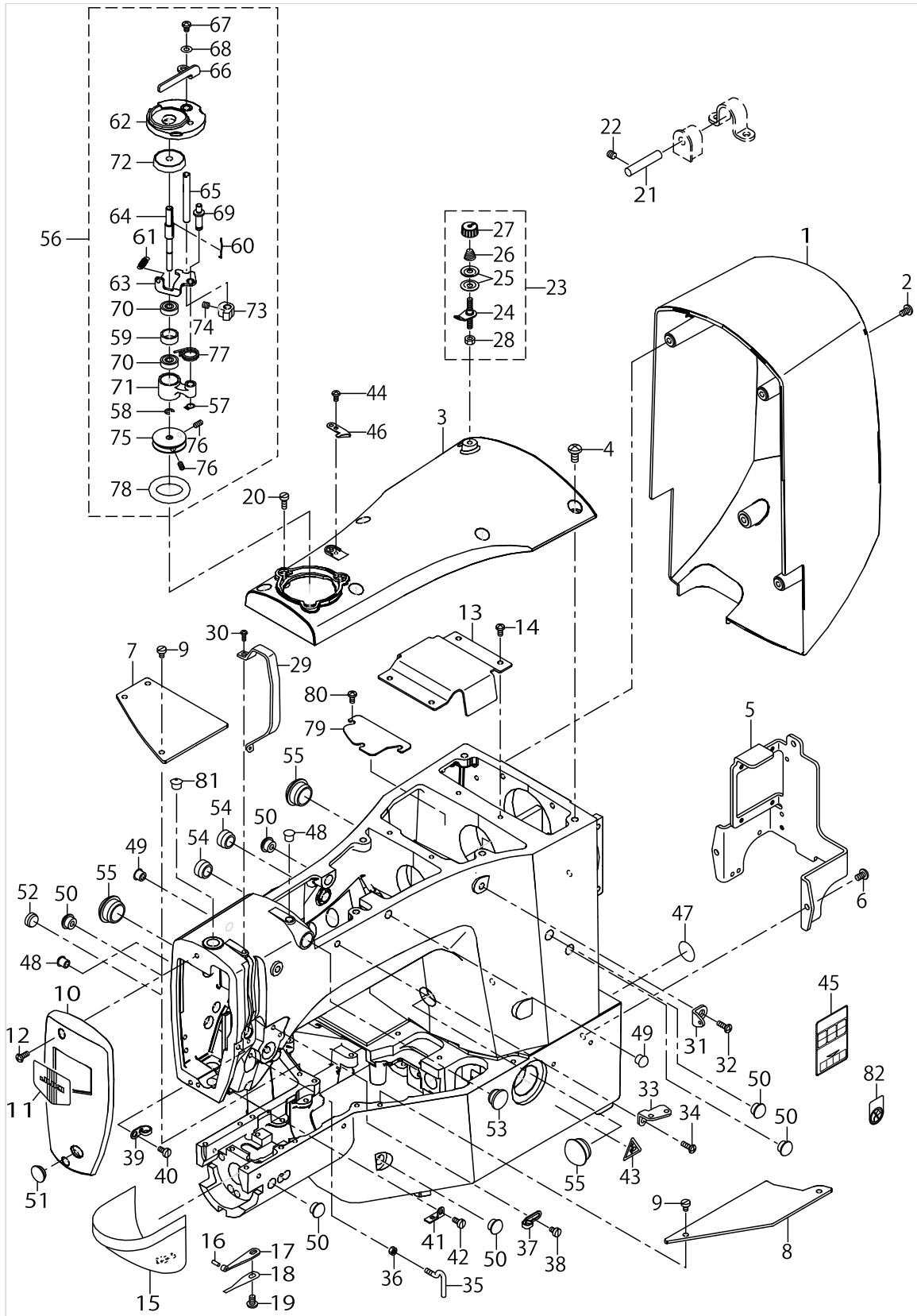
FRAME & MISCELLANEOUS COVER COMPONENTS



FRAME & MISCELLANEOUS COVER COMPONENTS

No.	Supply Code	Parts No.	Replacement	Parts name	Remarks	Choice	Step	Level	Cons	Qty	Rep. QTY
1		40006475		MOTOR COVER						1	
2		SM5040855SN		SCREW						4	
3		40006478		UPSIDE COVER						1	
4		SM4061255SP		SCREW M6 L=12						6	
5		40010404		PROTECTION_PLATE						1	
6		SM4050855SP		SCREW						3	
7		40006487		BED COVER LEFT						1	
8		40006488		BED COVER RIGHT						1	
9		SM6040650TP		SCREW M4 L=6						5	
10		40006481		FACE COVER						1	
11		22902506		FACE PLATE						1	
12		SM4041055SP		SCREW						2	
13		40010405		CRANK_ROD_COVER						1	
14		SM5040855SN		SCREW						4	
15	R	13816855	40142674	CYLINDER ARM CAP						1	1.00
16		13508700		HOOK COVER PRESSER SPRING PIN						1	
17	R	13508809	26221101	HOOK COVER PRESSER SPRING A						1	1.00
18	R	13508908	26221200	HOOK COVER PRESSER SPRING B						1	1.00
19		SM5040855SN		SCREW						1	
20		SM6041150TP		SCREW M4 L=11						3	
21	R	B2707761000	40009290	HINGE STUD						2	1.00
22		SM8060612TP		SCREW M6 L=6						4	
23		14113468		BOBBIN THREAD TENSION ASM.						1	
24		14113450		BOBBIN THREAD TENSION ROD ASM.				*		1	
25	R	B3126012000	22921506	THREAD TENSION DISK				*		2	1.00
26		D7133555B00		CONNECTING ROD SPRING				*		1	
27		11072402		THREAD TENSION NUT				*		1	
28		NS6110310SP		NUT 11/64-40				*		1	
29	R	13816608	26211607	BALANCE COVER						1	1.00
30		SM4030855SN		SCREW M3 L=8.0						2	
31		40010414		THREAD_GUIDE_NO.1						1	
32		SM4061255SP		SCREW M6 L=12						1	
33	R	B1111232000	26211904	THREAD GUIDE PLATE						1	1.00
34		SM4061255SP		SCREW M6 L=12						1	
35		40010571		L_SHAPED_THREAD_GUIDE_A						1	
36		NM6040000SN		NUT M4						1	
37		22920508		ARMTHREADGUIDEA						1	
38		SM6040650TP		SCREW M4 L=6						1	
39		13705108		TAKE-UP THREAD GUIDE B						1	
40		SM6040860TP		SCREW M4 L=8						1	
41		B1129210000		FRAME THREAD GUIDE (B)						1	
42		SM6040860TP		SCREW M4 L=8						1	
43		CM300200002		CAUTION LABEL(25)						1	
44		SM4030601SN		SCREW M3X6						1	
45		CM301200001		SAFETY LABEL_S						1	

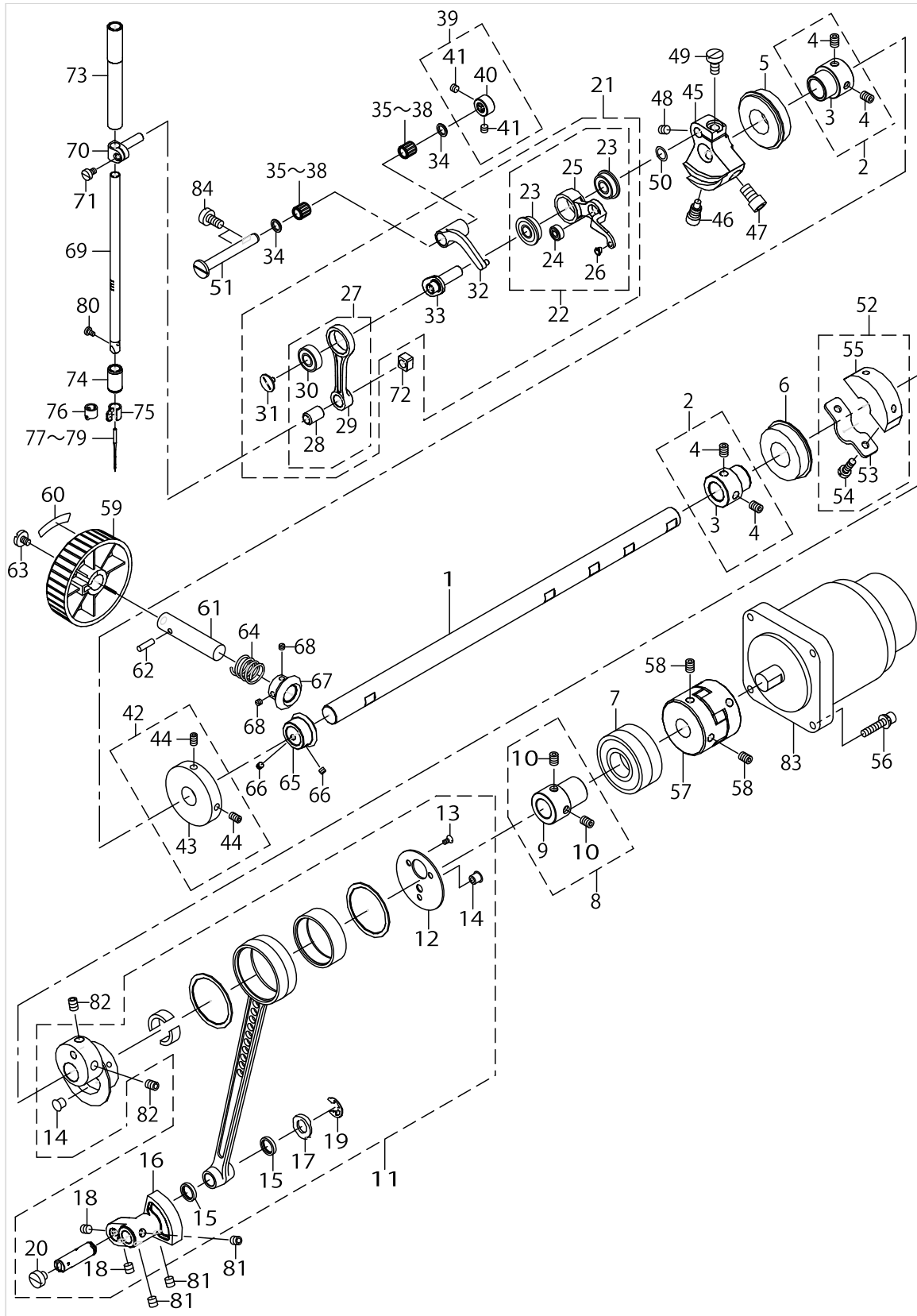
FRAME & MISCELLANEOUS COVER COMPONENTS



FRAME & MISCELLANEOUS COVER COMPONENTS

No.	Supply Code	Parts No.	Replacement	Parts name	Remarks	Choice	Step	Level	Cons	Qty	Rep. QTY
46		10502300		THREAD CUTTER						1	
47	R	10004109	22901805	GROUND MARK						1	1.00
48		TA0750704R0		RUBBER PLUG						2	
49		TA0850604R0		RUBBER PLUG						2	
50		TA1050504R0		RUBBER PLUG						6	
51		TA1250406R0		RUBBER PLUG D=12.5 L=4						1	
52		TA1270502R0		RUBBER PLUG						1	
53		TA1470704R0		RUBBER PLUG						1	
54		TA1550902R0		PLUG						2	
55		TA2100904R0		RUBBER PLUG						3	
56		26260000		BOBBINWINDERUNIT						1	
57		RC0560711KP		RETAINING RING				*		1	
58		RE0400000K0		E-RING 4				*		1	
59	R	26260802	26260000	BTW BEARING SPACER				*		1	1.00
60		26261602		BOBBIN SPRING				*		1	
61		26261701		BTW SPRING				*		1	
62	R	26260109	26260000	BTW BASE				*		1	1.00
63		26260208		BTW CAM PLATE				*		1	
64		26260901		BTW SHAFT				*		1	
65		26261008		BTW LEVER SHAFT				*		1	
66		26261107		BTW LEVER				*		1	
67		SM5040655SN		SCREW				*		1	
68		WP0450826SC		WASHER 4.5X10X0.8				*		1	
69		26260307		BTW BASE SHAFT				*		1	
70	R	26261305	26260000	BTW BEARING				*		2	1.00
71		26260406		BTW SHAFT BASE				*		1	
72		26261206		BTW SPACER				*		1	
73		26260505		BTW CAM LEVER				*		1	
74		SM8050502TP		SCREW M5 L=5				*		1	
75		26260604		BTW WHEEL				*		1	
76		SM8040802TP		SCREW M4X8				*		2	
77		26260703		BTW TORSION SPRING				*		1	
78		26261503		BTW WHEEL RUBBER				*		1	
79		40011928		CRANK ROD UNDER COVER						1	
80		SM5040855SN		SCREW						3	
81		22901409		NEEDLE BAR UPPER BUSH CAP						1	
82		CM100100001		OIL INJECTION PROHIBITION LABEL						1	

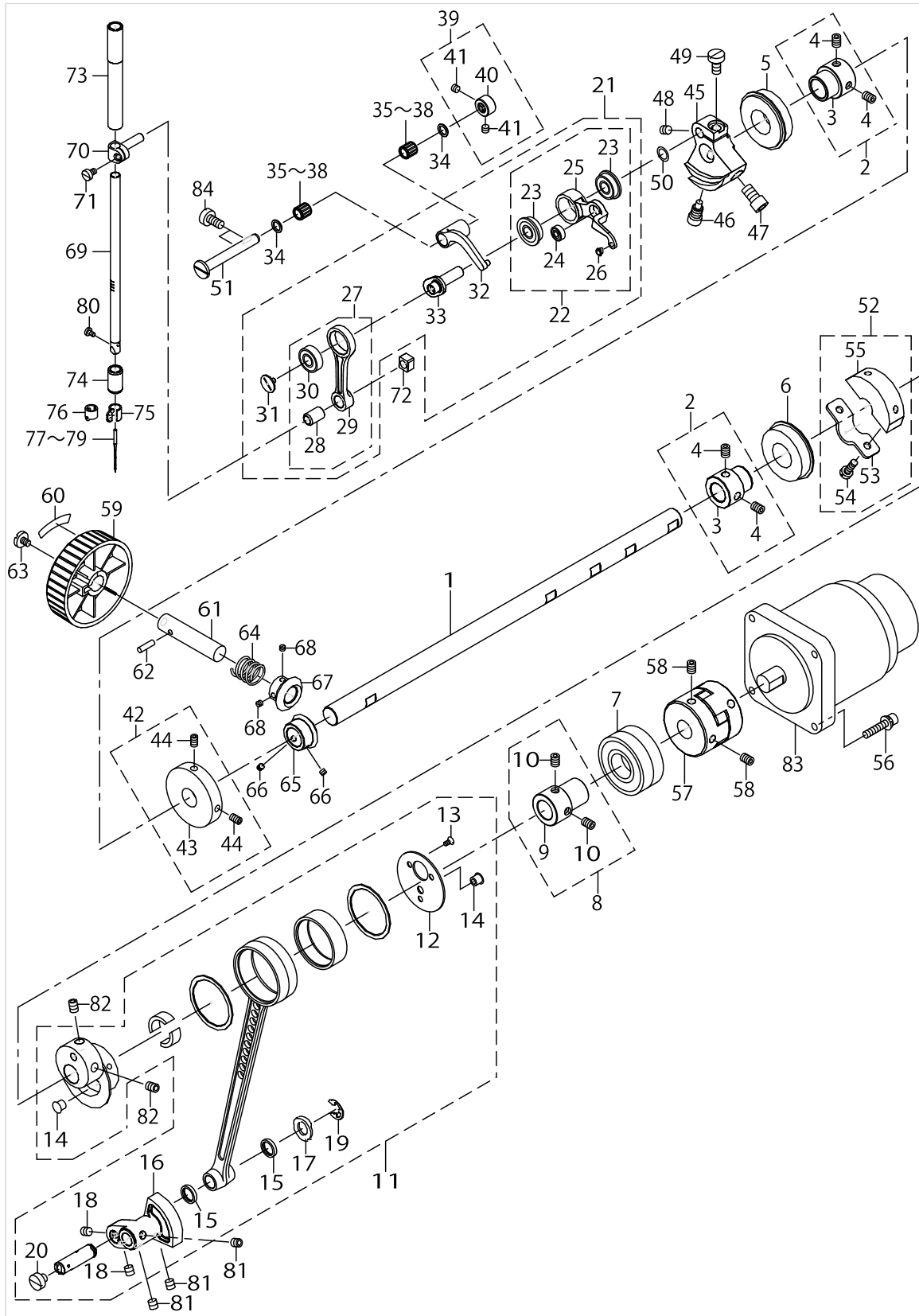
MAIM SHAFT & NEEDLE BAR COMPONENTS



MAIM SHAFT & NEEDLE BAR COMPONENTS

No.	Supply Code	Parts No.	Replacement	Parts name	Remarks	Choice	Step	Level	Cons	Qty	Rep. QTY
1		40010572		MAIN SHAFT						1	
2		40010415		BEARING_BUSH_A.ASM.						2	
3		40010416		BEARING_BUSH_A				*		2	
4		SM8060812TP		SCREW M6 L=8				*		4	
5		SB120001800		BEARING						1	
6		SB120001800		BEARING						1	
7		SB120001700		BEARING						1	
8		40010418		BEARING_BUSH_B.ASM.						1	
9		40010419		BEARING_BUSH_B				*		1	
10		SM8060812TP		SCREW M6 L=8				*		2	
11	R	40031136	40089367	CRANK_ROD_ALL.ASM.						1	1.00
12		40010421		CRANK_ROD_SUPPORT_PLATE				*		1	
13		SM1030601SP		SCREW M3 L=6				*		3	
14		TA0670604R0		PLUG D=6.7 L=6				*		2	
15		10108009		OIL SEAL				*		2	
16	R	40006561	40089367	OSCILLATOR				*		1	1.00
17		40026818		WASHER				*		1	
18		SM8480652TP		SCREW				*		2	
19		RE0800000K0		E-SHAPED SNAP RING (8MM)				*		1	
20		SM6060550TP		SCREW M6 L=4.5				*		1	
21	D	40006529		THREAD TAKE UP COMPL.						1	
22	R	40006530	40006529	THREAD TAKE UP LEVER.ASM.				*		1	1.00
23		SB108002200		BEARING				*		2	
24		SB104001600		BEARING				*		1	
25	R	40006531	40006529	THREAD TAKE UP LEVER				*		1	1.00
26		B1908505000		THREAD PASS BUSH				*		1	
27		40006534		NEEDLE BAR CRANK ROD.ASM.				*		1	
28	R	22891006	22890958	NEEDLE BAR CRANK ROD METAL		A	DDL-5700N	*		1	1.00
28	R	22891006	23622251	NEEDLE BAR CRANK ROD METAL		B	DDL-9000,- DP-2100,DLN-9010	*		1	1.00
28	R	22891006	40078106	NEEDLE BAR CRANK ROD METAL		C	AMS- /IP-- 420,AMS-220EN	*		1	1.00
28	R	22891006	40006534	NEEDLE BAR CRANK ROD METAL		D	LK- ,AMS-- /IP-410,A- MS-210E,AB-1351	*		1	1.00
29	R	40006535	40006534	NEEDLE BAR CRANK ROD				*		1	1.00
30		SB108002300		BEARING				*		1	
31		B1903552000		LEFT SCREW				*		1	
32		40006532		THREAD TAKE UP CRANK				*		1	
33	R	40006537	40006529	NEEDLE ROD CRANK				*		1	1.00
34		22891204		BEARING SUPPORT						2	
35		SB30700020A		BEARING	SELECTIVE PARTS					2	
36		SB30700020B		BEARING	SELECTIVE PARTS					2	
37		SB30700020C		BEARING	SELECTIVE PARTS					2	
38		SB30700020D		BEARING	SELECTIVE PARTS					2	
39		40010434		THRUST_COLLAR.ASM.						1	
40	R	40010435	40010434	THRUST_COLLAR				*		1	1.00
41	R	40010436	40010434	THRUST_COLLAR.SCREW				*		2	1.00

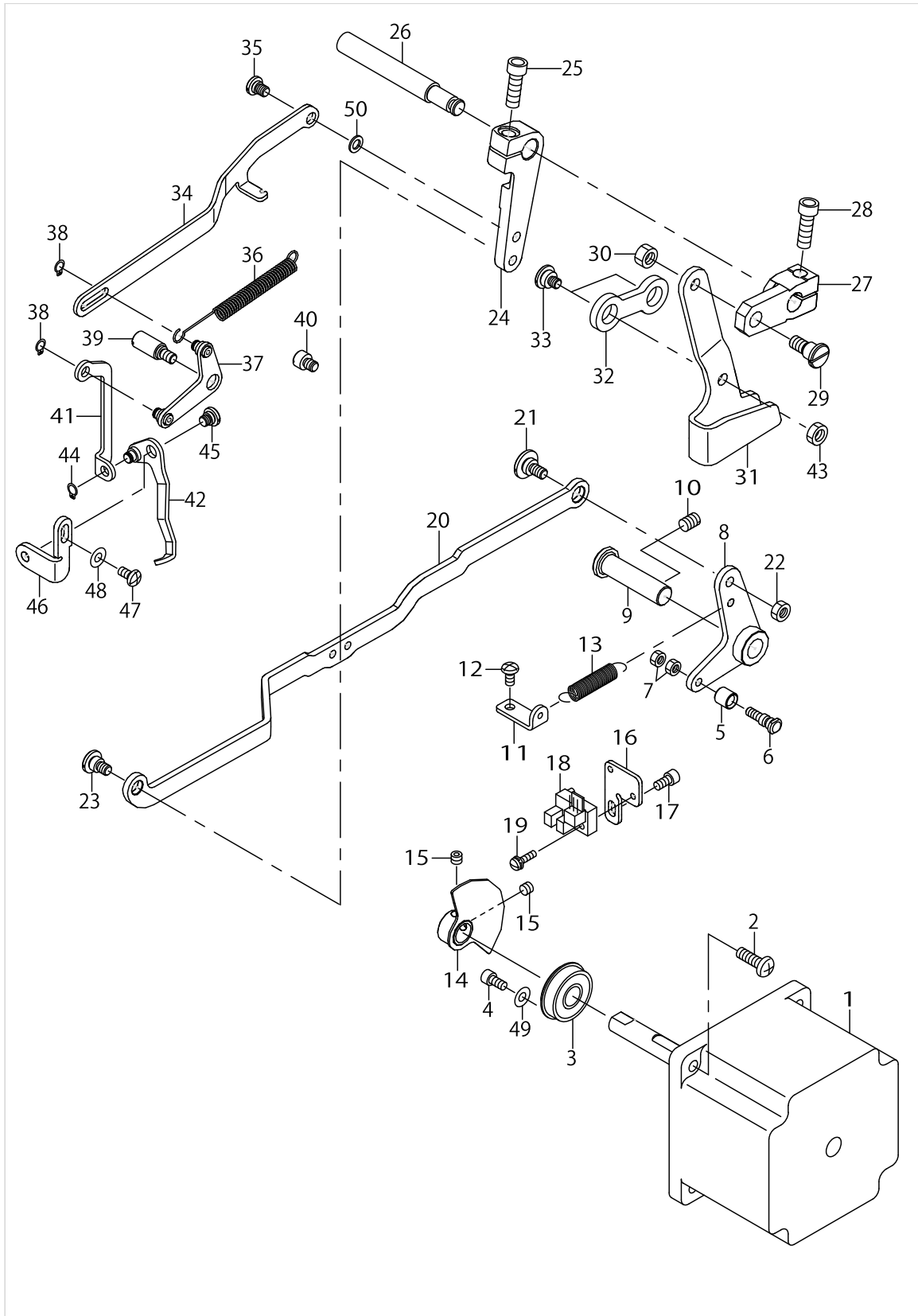
MAIN SHAFT & NEEDLE BAR COMPONENTS



MAIM SHAFT & NEEDLE BAR COMPONENTS

No.	Supply Code	Parts No.	Replacement	Parts name	Remarks	Choice	Step	Level	Cons	Qty	Rep. QTY
42		40010533		BTW_DRIVING_WHEEL_ASM.						1	
43	R	40010534	40010533	BTW_DRIVING_WHEEL				*		1	1.00
44		40010533		BTW_DRIVING_WHEEL_ASM.				*		2	
45	R	40010423	40010422	COUNTER_WEIGHT						1	1.00
46	R	40006517	40010424	COUNTER_WEIGHT SCREW A						1	1.00
47		SM6081252TP		BOLT M8 L=12						1	
48		SM8480652TP		SCREW M6X0.75 L=6						1	
49		SM6061200SP		SCREW						1	
50		WP0820516SP		WASHER 11.6X8.2X0.6						1	
51		40011902		THREAD_TAKE_UP_CRANK_SHAFT						1	
52		40010437		CRANK_BALANCER_ASM.						1	
53		40010439		CRANK_BALANCER_FIX_PLATE				*		1	
54		40010440		CRANK_BALANCER_FIX_PLATE_SCREW				*		2	
55		40028015		AC SERVO MOTOR				*		1	
56		SL6052592TN		BOLT						4	
57	R	23604309	40051473	COUPLING						1	1.00
58		SM8060812TP		SCREW M6 L=8						4	
59		B1212210D00		PULLEY						1	
60		B1144210000		REVOLVING DIRECTION LABEL						1	
61		26500306		HAND PULLEY SHAFT						1	
62		PS0400142KH		SPRING PIN 4X14						1	
63	D	A123050000A		SET-SCREW						1	
64		GAF01007000		SPRING						1	
65		40006515		GEAR A						1	
66		SM8040310SS		SCREW M4 L=3						2	
67		40006516		GEAR B						1	
68		SM8040310SS		SCREW M4 L=3						2	
69		40010573		NEEDLE BAR						1	
70	R	B1411552000	B14115520A0	NEEDLE BAR CLAMP						1	1.00
71		SS6090670TP		SCREW 9/64-40 L=6						1	
72		B1414555000		SLIDE BLOCK						1	
73		40010441		NEEDLE ROD METAL						1	
74		40010442		NEEDLE ROD LOWER METAL						1	
75		40010574		THREAD_GUIDE	EXCEPT L-K-1900AH,AW					1	
76		D1405L7AM00		NEEDLE BAR THREAD GUIDE	FOR LK-1900AH,AW					1	
77		MDP500B1100		NEEDLE DPX5 #11	FOR LK-1900AF,AM					1	
78		MDP500B1400		NEEDLE DPX5 #14	FOR LK-1900AS					1	
79		MDP170B2100		NEEDLE DPX17 #21	FOR LK-1900AH,AW					1	
80		SM7030550TP		SCREW M3 L=4.5						1	
81		SM8480652TP		SCREW M6X0.75 L=6						3	
82		SM8060812TP		SCREW M6 L=8						2	
83		40028015		AC SERVO MOTOR						1	
84		SM6061250TP		SCREW M6 L=12						2	

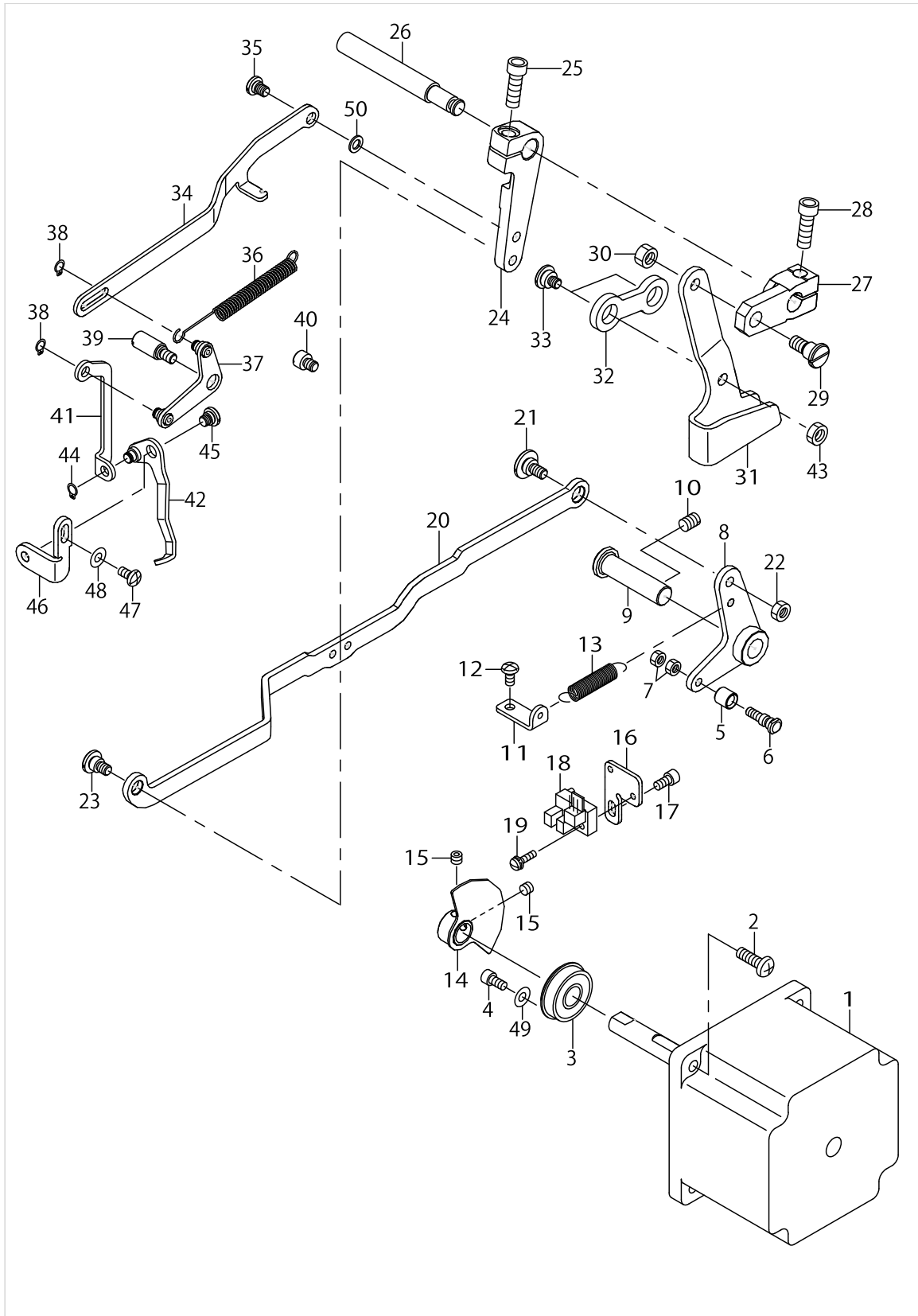
PRESSER LIFTER & WIPER COMPONENTS



PRESSER LIFTER & WIPER COMPONENTS

No.	Supply Code	Parts No.	Replacement	Parts name	Remarks	Choice	Step	Level	Cons	Qty	Rep. QTY
1	R	40029903	40125209	PRESSER LIFTING MOTOR						1	1.00
2		SM4051655SP		SCREW M5 L=16						4	
3		SB110002400		BEARING						1	
4		SM6040802TP		SCREW M4X0.7 L=8						1	
5		23517501		NEEDLE CAM ROLLER A						1	
6		40040256		CAM ROLLER SHAFT						1	
7		NM6040001SP		NUT M4X0.7						2	
8		40006661		LIFTER LINK A ASM.						1	
9		40006716		THREAD TRIMMER SHAFT						1	
10		SM8060812TP		SCREW M6 L=8						1	
11		40023831		SPRING_RACK						1	
12		SM4040855SP		SCREW						1	
13	R	13515606	26226209	SPRING						1	1.00
14		40006666		SENSOR SLIT ASM.						1	
15		SM8050402TP		SCREW						2	
16		40010443		SENSOR_INSTALLING_BASE						1	
17		SM6040802TP		SCREW M4X0.7 L=8						1	
18		HD00057000A		PHOTO SENSOR						1	
19		SL4031291SC		SCREW M3X12						1	
20		40006665		LIFTER LINK B						1	
21		SD0800327TP		HINGE SCREW D=8 H=3.2						1	
22		NM6050001SP		NUT M5						1	
23		SD0700406TP		HINGESCREWD=7H=4						1	
24		40006671		CONNECTING ARM						1	
25		SM6061802TP		SCREW M6 L=18						1	
26		26500405		CONNECTING SHAFT						1	
27		40008693		LOWERING ARM						1	
28		SM6061802TP		SCREW M6 L=18						1	
29		SD0790606TP		HINGE SCREW D=7.94 H=6						1	
30		NM6060001CP		NUT M6						1	
31	R	40006672	40010450	LOWERING FOOT						1	1.00
32		14104400		CONNECTING LINK						1	
33		SD1000406TP		HINGE SCREW D=10 H=4						2	
34	R	40006674	40010460	WIPER CONNECTING LINK						1	1.00
35		SD0600206TP		HINGESCREWD=6H=2						1	
36	R	13509708	26218008	SPRING						1	1.00
37		40010451		WIPER_CONNECTING_ARM_ASM						1	
38		RC0470611KP		RETAINING RING 4.7						2	
39		40010455		WIPER_CONNECTING_LINK_SHAFT						1	
40		40010457		WIPER_STOPPER						1	
41		40010458		WIPER_CONNECTING_PLATE						1	
42		40017202		WIPER C ASM.						1	
43		NM6060003SC		NUT M6						1	
44		RC0470611KP		RETAINING RING 4.7						1	
45		SD0640216TP		HINGE SCREW D=6.35 H=2.1						1	
46		40006678		WIPER BASE PLATE						1	

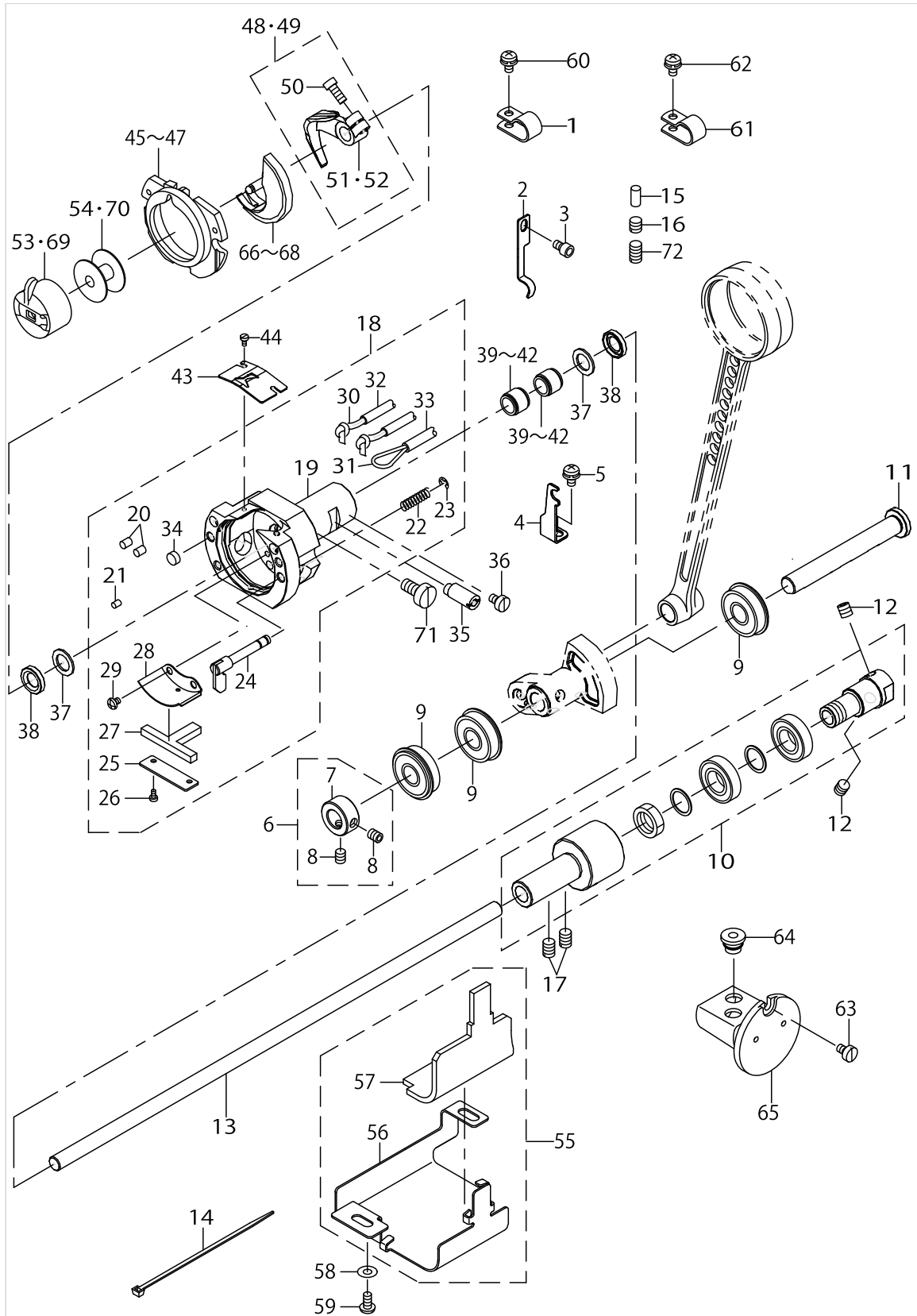
PRESSER LIFTER & WIPER COMPONENTS



PRESSER LIFTER & WIPER COMPONENTS

No.	Supply Code	Parts No.	Replacement	Parts name	Remarks	Choice	Step	Level	Cons	Qty	Rep. QTY
47		SM4040855SP		SCREW						1	
48		WP0450801SP		WASHER						1	
49		WP0450801SP		WASHER						1	
50		WP0480856SP		WASHER 4.8X8.4X0.8						1	

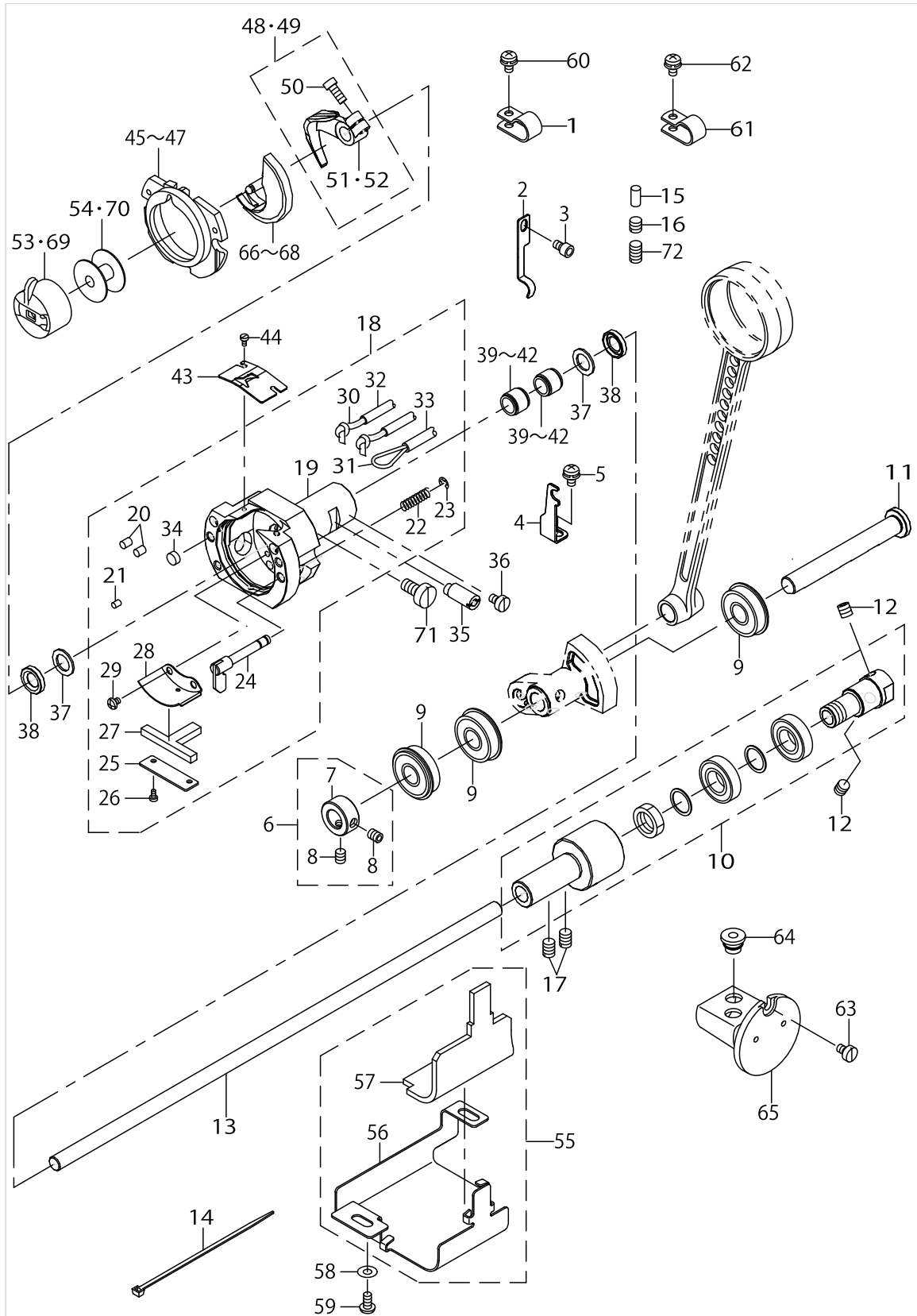
SHUTTLE DRIVER SHAFT COMPONENTS



SHUTTLE DRIVER SHAFT COMPONENTS

No.	Supply Code	Parts No.	Replacement	Parts name	Remarks	Choice	Step	Level	Cons	Qty	Rep. QTY
1		HX00150000D		CABLE CLIP						1	
2		40012127		OIL_PIPE_HOLDER						1	
3		SM6040602TP		SCREW M4 L=6						1	
4		40013721		TUBE_CLAMP						1	
5		SL4040891SC		SCREW M4 L=8						1	
6		40010464		THRUST_COLLAR_ASM.						1	
7	R	40010467	40010464	THRUST_COLLAR				*		1	1.00
8		40010469		THRUST_COLLAR_SCREW				*		2	
9		SB110002400		BEARING						3	
10		40016077		LOWER_SHAFT_GEAR_ASM.						1	
11		40006563		OSCILLATOR SHAFT						1	
12		SM8060612TP		SCREW M6 L=6						2	
13		40010575		LOWER SHAFT						1	
14		EA9500B0100		CABLE BAND						2	
15		40006578		OIL WICK PRESSER						1	
16		SM8060610TP		SCREW						1	
17		SM8060812TP		SCREW M6 L=8						2	
18	R	40006573	40110858	SHUTTLE_ASM.						1	1.00
19	R	40006574	40089365	SHUTTLE				*		1	1.00
20		B1820210D00		SHUTTLE OIL FELT,A				*		2	
21		B1821210D00		SHUTTLE OIL FELT,B				*		1	
22		B1822215P00		INNER HOOK PRESSER SPRING				*		2	
23		RE0300000K0		E-RING 3				*		2	
24		26501858		INNER-HOOK-PRESSER_ASM.				*		2	
25		14104004		ONCE THROUGH OIL FELT PRESSER				*		1	
26		SM6020460TP		SCREW M2 L=3.5				*		2	
27		14103907		SHUTTLE ONCE TH-ROUGH OIL FELT				*		1	
28		40006577		SHUTTLE LUBRICATING PLATE				*		1	
29		SM4030455SP		SCREW				*		2	
30		CQ200000000		OIL WICK				*		2.6	
31		CQ200000000		OIL WICK				*		1.4	
32		23630007		TUBE				*		1	
33		23630007		TUBE				*		0.6	
34		13529607		SHUTTLE PACKING				*		2	
35		40010471		SHUTTLE_RACE_ADJUSTING_SHAFT						1	
36		SM6040650TP		SCREW M4 L=6						1	
37	R	40006575	40010472	SHUTTLE BEARING RING						2	1.00
38		40006576		SHUTTLE OIL SEAL						2	
39		SB30800100A		BEARING	SELECTIVE PARTS					2	
40		SB30800100B		BEARING	SELECTIVE PARTS					2	
41		SB30800100C		BEARING	SELECTIVE PARTS					2	
42		SB30800100D		BEARING	SELECTIVE PARTS					2	
43		B1815210000		INNER HOOK UPPER SPRING						1	
44		SM6020460TP		SCREW M2 L=3.5						2	
45		14103253		INNER HOOK PRESSER_ASM., A	FOR LK-1900AF,AM					1	

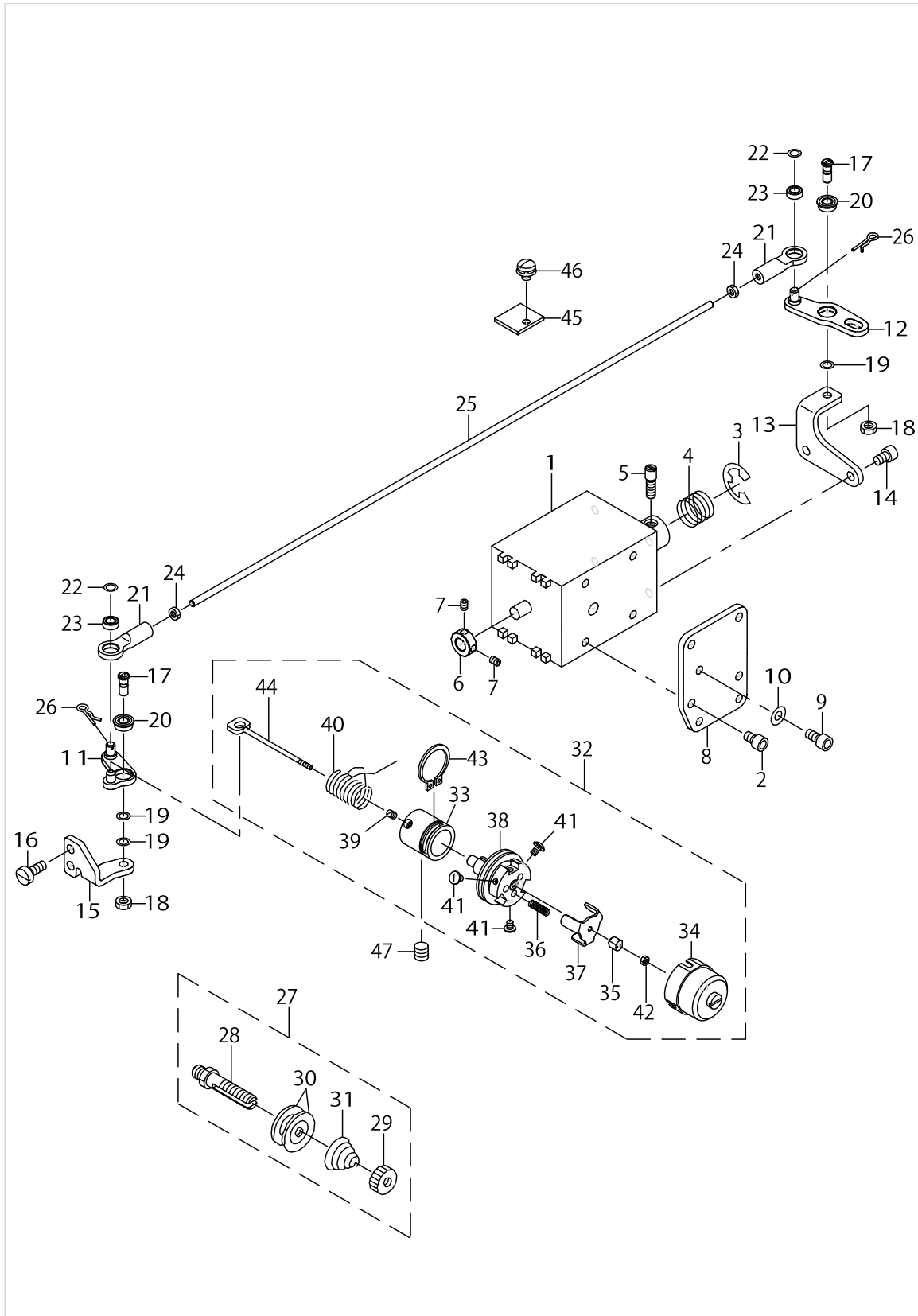
SHUTTLE DRIVER SHAFT COMPONENTS



SHUTTLE DRIVER SHAFT COMPONENTS

No.	Supply Code	Parts No.	Replacement	Parts name	Remarks	Choice	Step	Level	Cons	Qty	Rep. QTY
46		14103352		INNER HOOK PRESSER ASM., B	FOR LK-1900AS					1	
47		14103659		SHUTTLE RACE RING ASM.,C	FOR LK-1900AH,AW					1	
48		40011512		DRIVER_ASM.	EXCEPT L-K-1900AW					1	
49		40014963		SHUTTLE DRIVER ASM.	FOR LK-1900AW					1	
50		SS6121212TP		SCREW 3/16-28 L=12.0				*		1	
51	R	40011511	40011512	SHUTTLE_DRIVER	EXCEPT L-K-1900AW			*		1	1.00
52	R	40010879	40014963	SHUTTLE DRIVER	FOR LK-1900AW			*		1	1.00
53		B18289800BB		BOBBIN CASE ASM. (RACING PREVE	EXCEPT L-K-1900AW					1	
54		13812102		BOBBIN	EXCEPT L-K-1900AW					1	
55		40010473		LOWER_SHAFT_GEAR_COVER_ASM.						1	
56	R	40010474	40010473	LOWER_SHAFT_GEAR_COVER				*		1	1.00
57		40010475		LOWER_SHAFT_GEAR_FELT				*		1	
58		WP0450801SP		WASHER						2	
59		SM5040855SN		SCREW						2	
60		SL4040891SC		SCREW M4 L=8						1	
61		HX00150000B		CABLE CLIP						2	
62		SL4040891SC		SCREW M4 L=8						2	
63		SM6040650TP		SCREW M4 L=6						1	
64		40006840		RUBBER BUSH						2	
65		40006836		OIL TANK ASM.						1	
66	R	40006580	400065800A0	SHUTTLE	EXCEPT L-K-1900AH,AW	A				1	1.00
66	R	40006580	40110846	SHUTTLE	EXCEPT L-K-1900AH,AW	B				1	1.00
67	R	40006581	40112995	SHUTTLE (H)	FOR LK-1900AH					1	1.00
68		40014965		SHUTTLE(H)	FOR LK-1900AW					1	
69		B1828210DAA		BOBBIN CASE ASM.	FOR LK-1900AW					1	
70		B1806210D00		BOBBIN	FOR LK-1900AW					1	
71		40010470		SHUTTLE_ASM_SCREW						1	
72		SM8061050TP		SCREW						1	

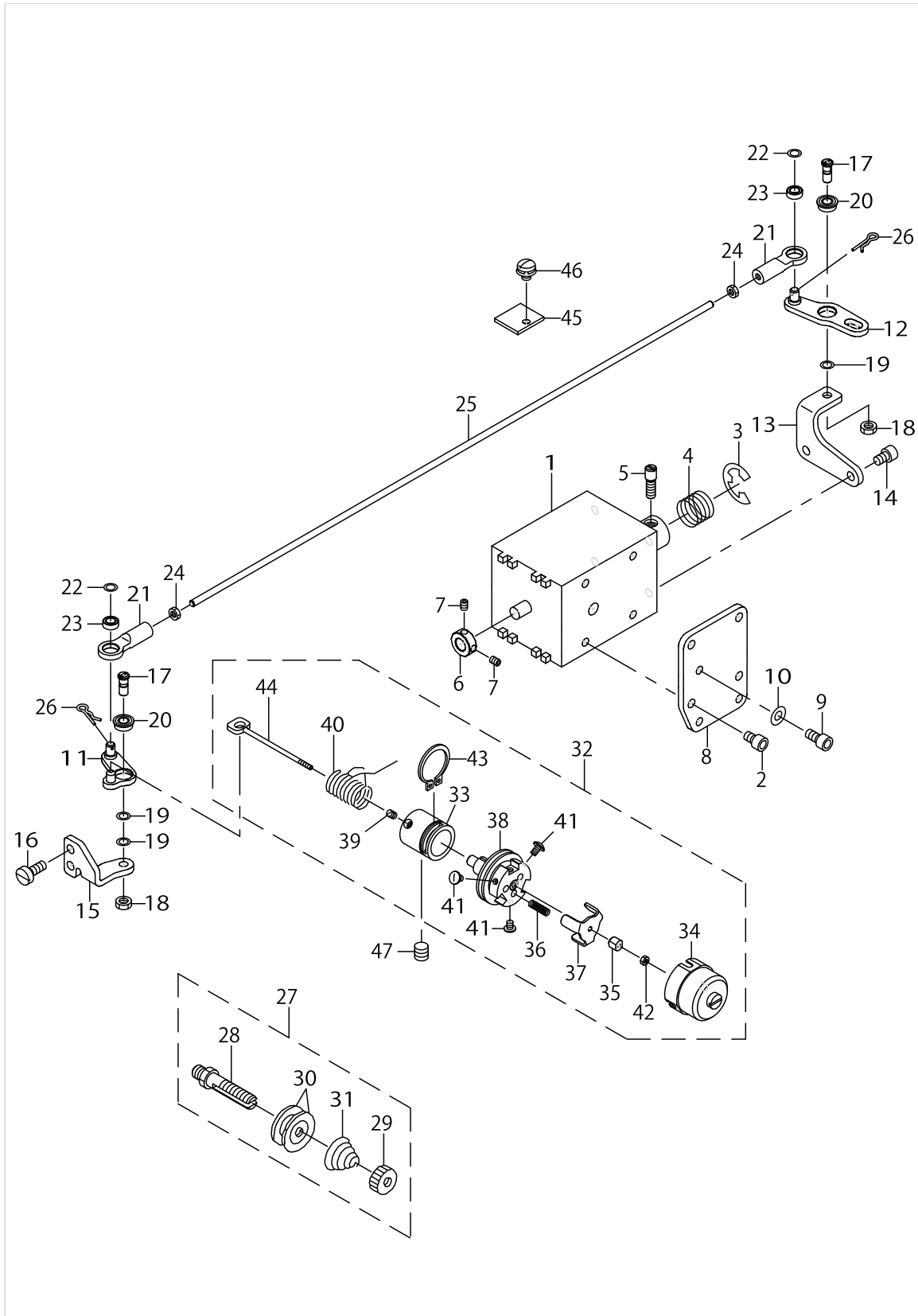
THREAD TENSION COMPONENTS



THREAD TENSION COMPONENTS

No.	Supply Code	Parts No.	Replacement	Parts name	Remarks	Choice	Step	Level	Cons	Qty	Rep. QTY
1		40006628		AT SOLENOID						1	
2		SM6040602TP		SCREW M4 L=6						4	
3		RE0900000K0		E-RING 9						1	
4		40006625		SPRING						1	
5		40006617		AT SOL PIN						1	
6		40010477		AT_SOL_COLLAR						1	
7		SM8030412TP		SCREW						2	
8		40010479		AT_PLATE						1	
9		SM6040802TN		SCREW						2	
10		WP0430801SC		WASHER 4.3X9X0.8						2	
11		40010482		AT_DRIVE_LINK(F)_ASM						1	
12		40010492		AT_DRIVE_LINK(R)_ASM						1	
13		40010495		AT_PIVOT_BASE(R)						1	
14		SM6040602TP		SCREW M4 L=6						2	
15		40010486		AT_PIVOT_BASE(F)						1	
16		SM6041050TP		SCREW M4 L=10						2	
17		40010487		AT_PIVOT_SCREW						2	
18		NM6040003SC		NUT M4						2	
19		WP0400516UZ		PLAIN WASHER						3	
20		40010490		AT_PIVOT_BEARING						2	
21		40010497		AT_JOINT						2	
22		WP0400516UZ		PLAIN WASHER						2	
23		40010498		AT_JOINT_BEARING						2	
24		NM6030003SC		NUT M3						2	
25		40010500		AT_CONNECTION_BAR						1	
26		40006622		AT SNAP PIN						2	
27		40010503		THREAD_TENSION_1_ASM						1	
28	R	40010504	40010503	THREAD_TENSION_SHAFT				*		1	1.00
29		22928808		NUT				*		1	
30		22921506		THREAD TENSION DISK				*		2	
31		26218602		FIRST_THREAD_TENSION_SPRING				*		1	
32		40010508		THREAD_TENSION_2_ASM				*		1	
33		40010510		THREAD_TENSION_POST_BASE				*		1	
34		40010511		DISK_STOPPER HOLDER_CAP				*		1	
35		40010512		THREAD_TENSION_SHAFT_COLLAR				*		1	
36		40010513		DISK_STOPPER_SP				*		3	
37		40010514		DISK_STOPPER				*		1	
38		40010515		ASSY_THREAD_TENSION_POST				*		1	
39		40010478		AT_SOL_COLLAR_SCREW				*		1	
40		22921605		THREAD TAKE-UP SPRING				*		1	
41		40010521		HOLD_CAP_SCREW				*		3	
42		40010522		SHAFT_NUT				*		1	
43	R	40010523	40010508	POST_BASE_C_RING				*		1	1.00
44		40010509		THREAD_TENSION_SHAFT				*		1	
45		40013967		AT-FELT						1	
46		SL4040681SC		COMBINATION SCREW M4 X 8						1	

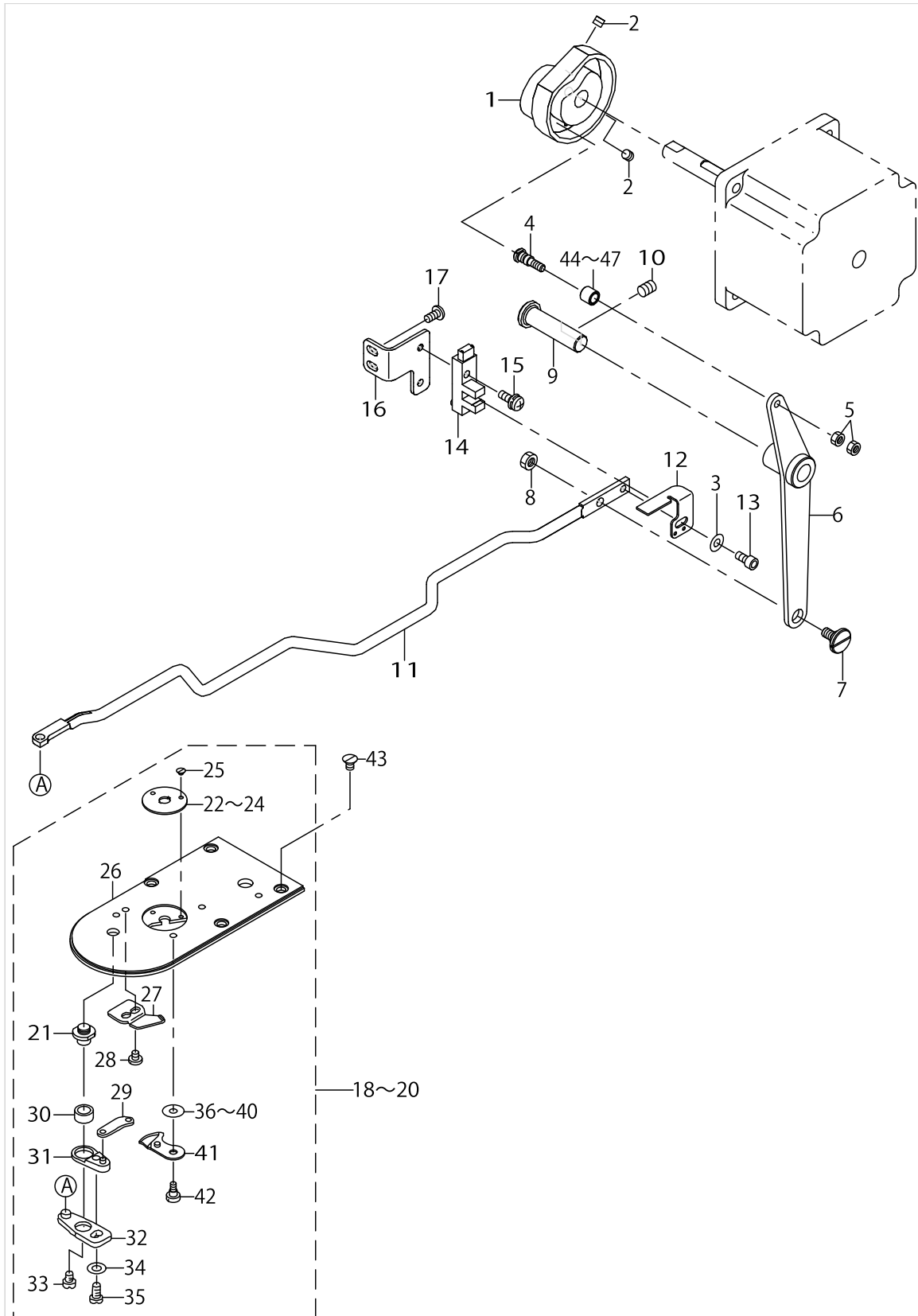
THREAD TENSION COMPONENTS



THREAD TENSION COMPONENTS

No.	Supply Code	Parts No.	Replacement	Parts name	Remarks	Choice	Step	Level	Cons	Qty	Rep. QTY
47		SM8061612TP		SCREW M6X16						1	

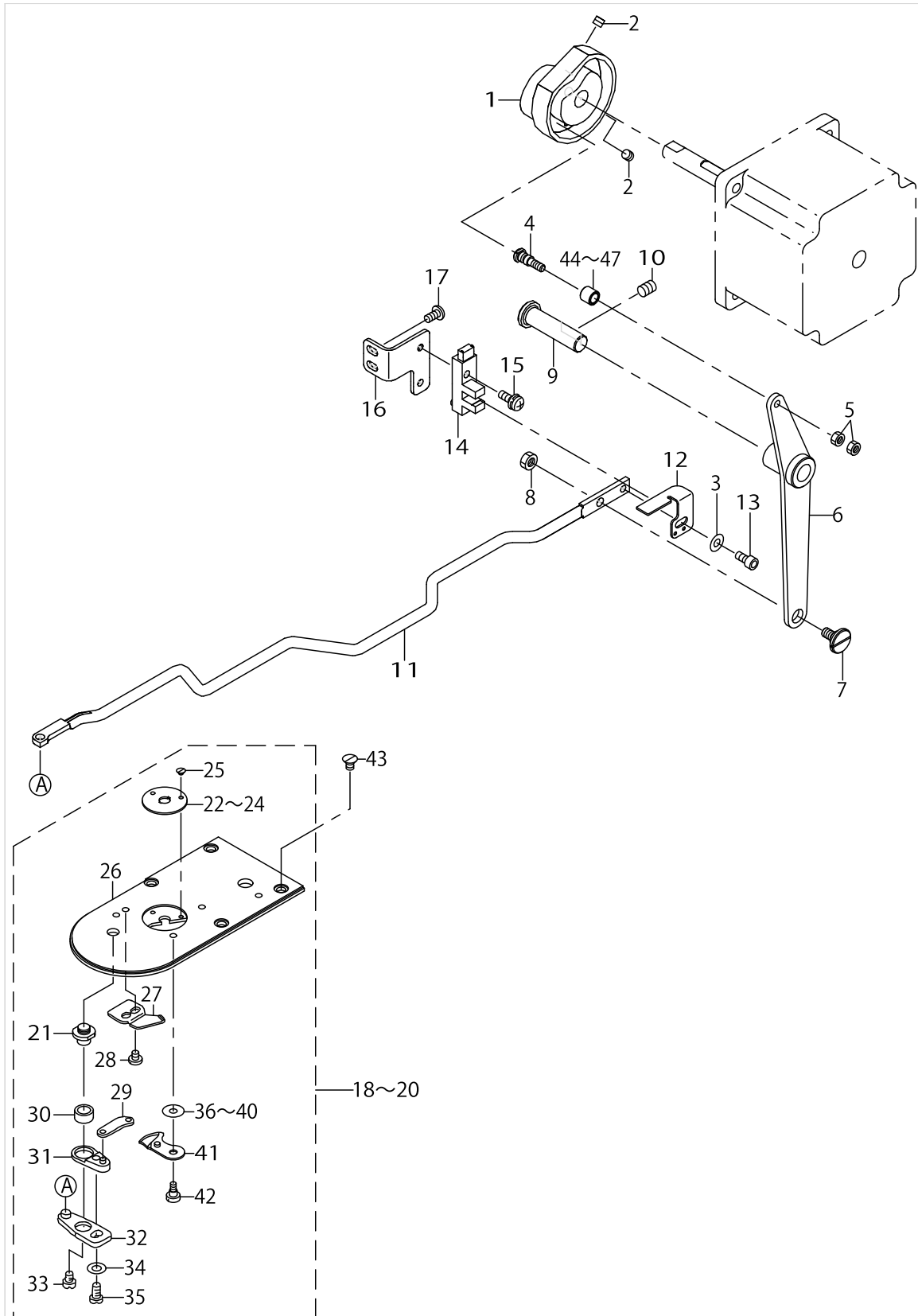
THREAD TRIMMER MECHANISM COMPONENTS



THREAD TRIMMER MECHANISM COMPONENTS

No.	Supply Code	Parts No.	Replacement	Parts name	Remarks	Choice	Step	Level	Cons	Qty	Rep. QTY
1		40006711		THREAD TRIMMER CAM						1	
2		SM8050592TP		SCREW						2	
3		WP0450801SP		WASHER						1	
4		40040256		CAM ROLLER SHAFT						1	
5		NM6040001SP		NUT M4X0.7						2	
6		40006712		THREAD TRIMMER LINK ASM.						1	
7		SD0800327TP		HINGE SCREW D=8 H=3.2						1	
8		NM6050001SP		NUT M5						1	
9		40006716		THREAD TRIMMER SHAFT						1	
10		SM8060812TP		SCREW M6 L=8						1	
11		40006717		CONNECTING BAR						1	
12		40010525		THREAD_TRIMMER_SENSOR_SLIT						1	
13		SM6040802TP		SCREW M4X0.7 L=8						1	
14		HD002230000		PHOTO SENSOR						1	
15		SL4041291SC		SCREW M4 L=12						1	
16		40010526		THREAD_TRIMMER_SENSOR_BASE						1	
17		SM4040855SP		SCREW						2	
18		40006722		NEEDLE PLATE ASM.,A	FOR LK-1900AS					1	
19		40006723		NEEDLE PLATE ASM.,H	FOR LK-1900AH,AW					1	
20		40006724		NEEDLE PLATE ASM.,E	FOR LK-1900AF,AM					1	
21		B2417280000		THREAD CUTTER LEVER SHAFT				*		1	
22		B2426280000		NEEDLE HOLE GUIDE	FOR LK-1900AS			*		1	
23		14109607		NEEDLE HOLE GUIDE	FOR LK-1900AH,AW			*		1	
24		D2426282C00		NEEDLE HOLE GUIDE	FOR LK-1900AF,AM			*		1	
25		SS1060210TP		SCREW 3/32-56 L=2.2				*		2	
26		40006721		NEEDLE PLATE				*		1	
27		B2424280000		FIXING KNIFE				*		1	
28		SS7090410SP		SCREW 9/64-40 L= 3.5				*		2	
29		B2418280000		MOVING KNIFE LINK				*		1	
30		B2416280000		THREAD CUTTING LEVER RING				*		1	
31		B24152800A0		THREAD CUTTER L- EVER ASM.,SMALL				*		1	
32		B24142800A0		THREAD CUTTER L- EVER ASM.,LARGE				*		1	
33		SS6110430TP		SCREW 11/64-40 L= 4.0				*		1	
34		WP0450846SP		WASHER				*		1	
35		SS7110740TP		SCREW 11/64-40 L=7				*		1	
36		B242328000C		MOVING KNIFE WASHER C	SELECTIVE PARTS			*		1	
37		B242328000A		MOVING KNIFE WASHER A	SELECTIVE PARTS			*		1	
38		B242328000B		MOVING KNIFE WASHER B	SELECTIVE PARTS			*		1	
39		B242328000D		MOVING KNIFE WASHER D	SELECTIVE PARTS			*		1	
40		B242328000E		MOVING KNIFE WASHER E	SELECTIVE PARTS			*		1	
41		B24212800A0		MOVING KNIFE ASM.				*		1	
42		SD0500091TP		HINGE SCREW D= 5.0 H= 0.9				*		1	
43		SM1040650TP		SCREW M4 L=6						4	
44	R	26315606	23517501	NEEDLE CAM ROLLER A						1	1.00
45	R	26315705	23517600	NEEDLE CAM ROLLER B						1	1.00

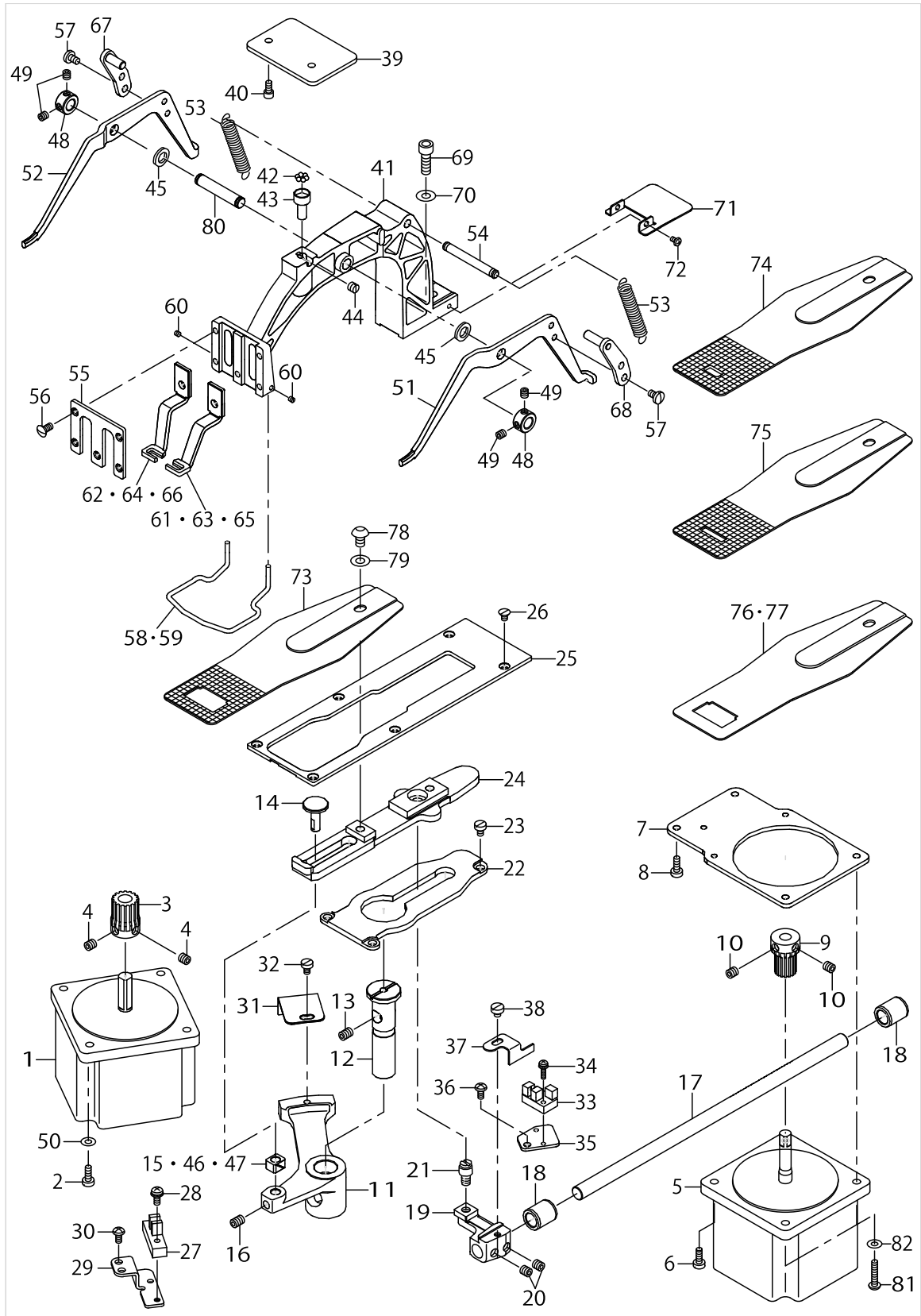
THREAD TRIMMER MECHANISM COMPONENTS



THREAD TRIMMER MECHANISM COMPONENTS

No.	Supply Code	Parts No.	Replacement	Parts name	Remarks	Choice	Step	Level	Cons	Qty	Rep. QTY
46	R	26315804	23517709	NEEDLE CAM ROLLER C						1	1.00
47	R	26315903	23517808	NEEDLE CAM ROLLER D						1	1.00

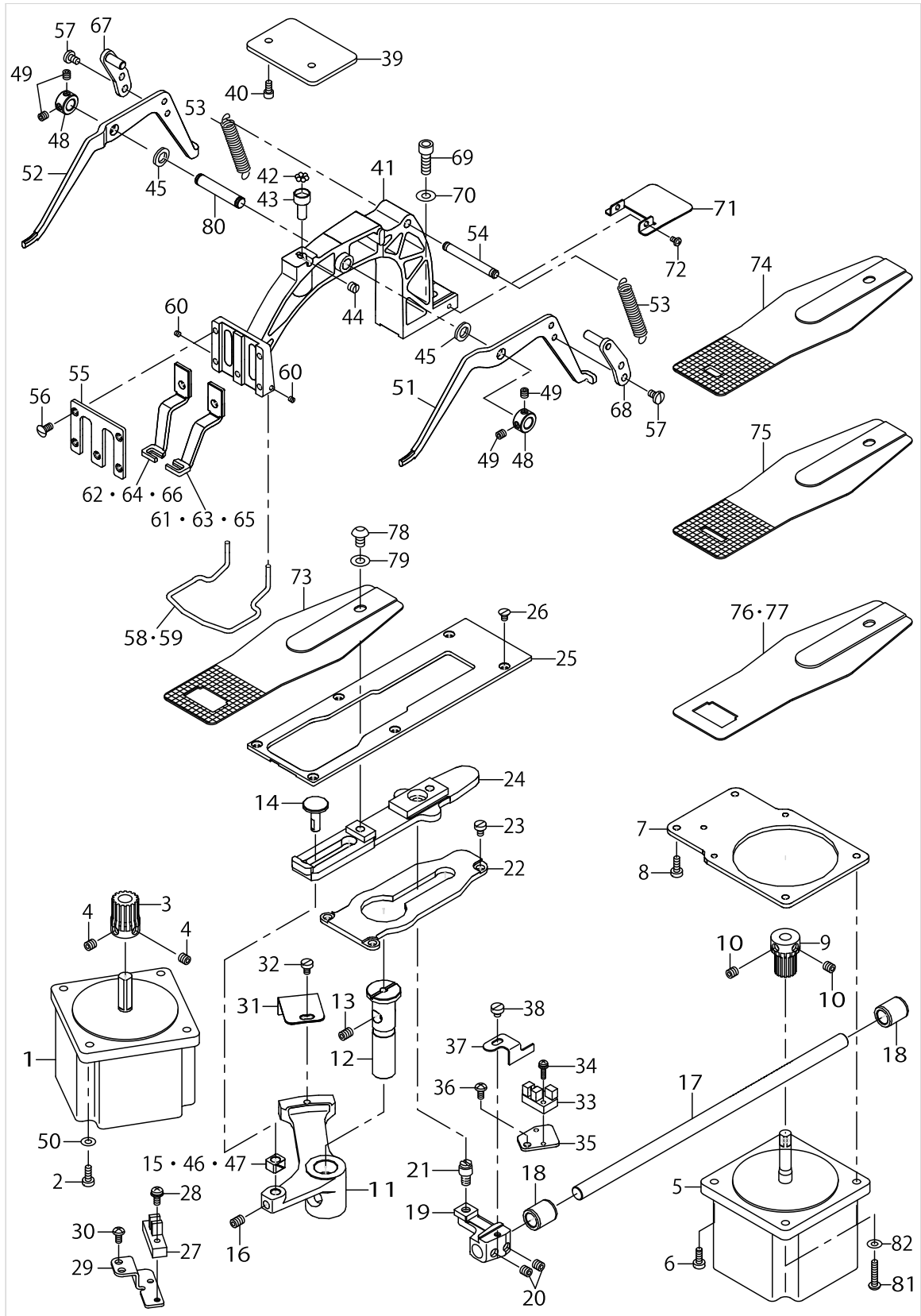
FEED MECHANISM COMPONENTS



FEED MECHANISM COMPONENTS

No.	Supply Code	Parts No.	Replacement	Parts name	Remarks	Choice	Step	Level	Cons	Qty	Rep. QTY
1	R	40029901	40125207	X FEED MOTOR						1	1.00
2		SM4041655SP		SCREW M4 L=16						4	
3		26501403		X FEED GEAR						1	
4		SM8060602TP		SCREW M6X6						2	
5	R	40029902	40125208	Y FEED MOTOR						1	1.00
6		SM6041150TP		SCREW M4 L=11						2	
7		40010536		Y_FEED_MOTOR_BASE						1	
8		SM6041150TP		SCREW M4 L=11						2	
9		26501502		Y FEED GEAR						1	
10		SM8060602TP		SCREW M6X6						2	
11		40006736		CLOTH FEED ARM						1	
12	R	13516208	26222703	FEED DRIVING ARM SHAFT						1	1.00
13		SM8060812TP		SCREW M6 L=8						1	
14		26223305		SLIDE BLOCK STUD						1	
15		B1414232000		SQUARE BLOCK						1	
16		SM8060812TP		SCREW M6 L=8						1	
17		40006738		Y FEED SHAFT						1	
18		B2509704000		BUSHING, REAR						2	
19	R	26500009	SM8480652TP	Y FEED ARM		A				1	2.00
19	R	26500009	SM6040650TP	Y FEED ARM		A				1	1.00
19	R	26500009	40042897	Y FEED ARM		A				1	1.00
20		SS8660612TP		SCREW 1/4-40 L=6						2	
21	R	13517404	26223503	HINGE STUD						1	1.00
22		40006740		CLOTH FEED SUPPORT PLAE						1	
23		SM6040650TP		SCREW						3	
24		40006737		CLOTH FEED PLATE						1	
25		40006739		CLOTH FEED PRESSER PLATE						1	
26		SM1040650TP		SCREW M4 L=6						4	
27		HD002230000		PHOTO SENSOR						1	
28		SL4041281SC		SCREW M4X0.7 L=12						1	
29		14111702		SENSOR INSTALLING BASE						1	
30		SM4040855SP		SCREW						2	
31		14111504		CROSSFEED SENSOR SLIT						1	
32		SM6040650TP		SCREW M4 L=6						1	
33		HD00057000A		PHOTO SENSOR						1	
34		SL4031291SC		SCREW M3X12						1	
35	R	14111801	40028986	SENSOR INSTALLING BASE						1	1.00
36		SM4040855SP		SCREW						1	
37		14136402		LENGTHWISE FEED SENSOR SLIT						1	
38		SS6110480SP		SCREW 11/64-40 L=4.3						1	
39		40039255		SUPPORT PLATE						1	
40		SM6040802TP		SCREW M4X0.7 L=8						2	
41		40039013		FEED BRACKET B						1	
42		B2549280000		WORK CLAMP FOOT MOUNTING BASE						7	
43	R	B2548280000	26224808	BALL RETAINER						1	1.00
44		SS8150510TP		SCREW 15/64-28 L= 4.7						1	

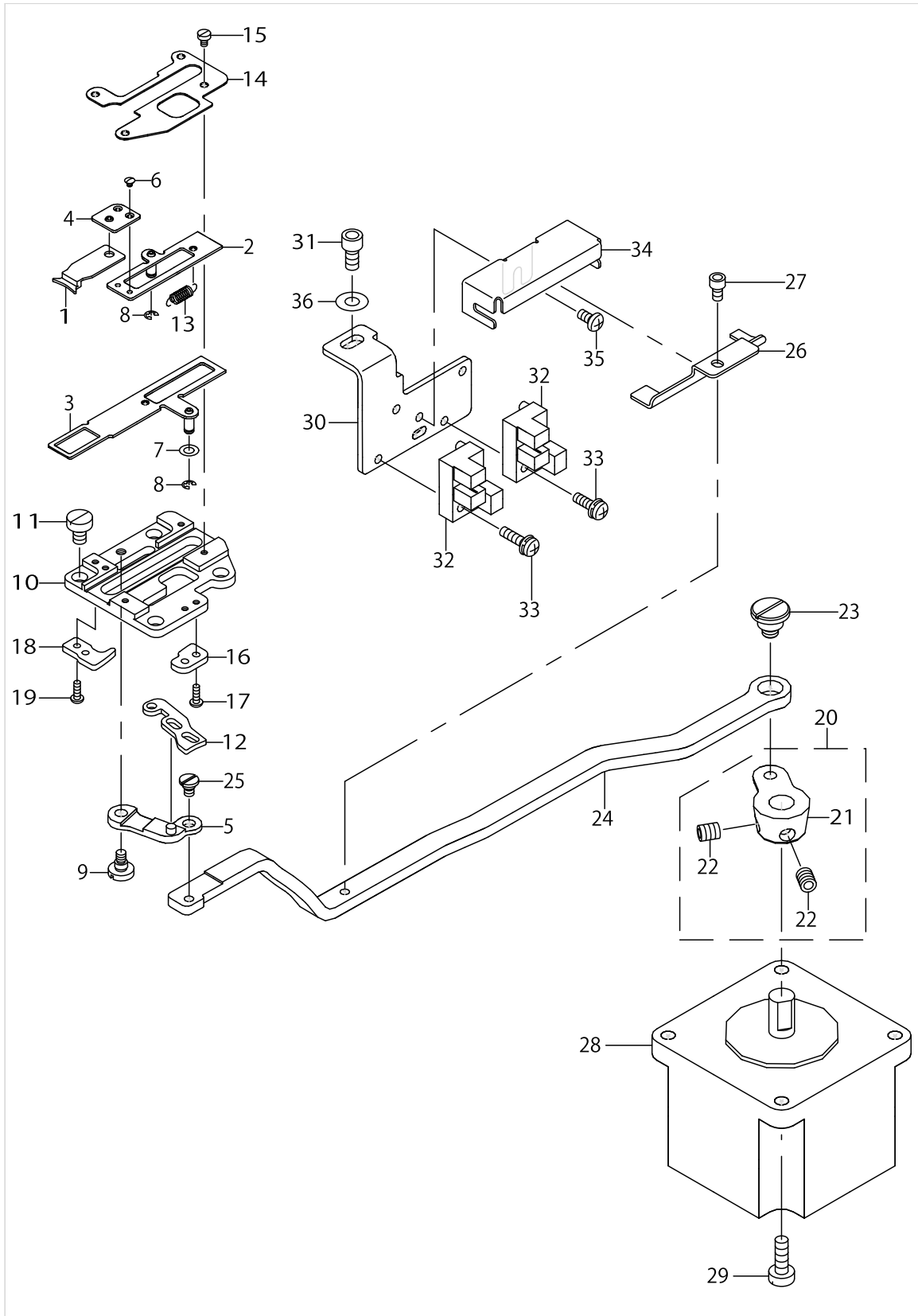
FEED MECHANISM COMPONENTS



FEED MECHANISM COMPONENTS

No.	Supply Code	Parts No.	Replacement	Parts name	Remarks	Choice	Step	Level	Cons	Qty	Rep. QTY
45		B255728000A		WASHER FOR DRIVING ARM	SELECTIVE PARTS					2	
46		B141423200A		CRANK SLIDE BLOCK	SELECTIVE PARTS					1	
47		B141423200B		GUIDE ROLLER	SELECTIVE PARTS					1	
48		CS0800881TP		THRUST COLLAR						2	
49		SM8050512TP		SCREW M5 L=5						4	
50		WP0450801SP		WASHER						4	
51		26204008		LIFTINGLEVERRIGHT						1	
52		26204107		LIFTING LEVER LEFT						1	
53		14105407		CLOTH PRESSER SPRING						2	
54		13518501		SPRINGSUSPENSION						1	
55	R	13518808	26224105	WORK CLAMP FOOT FACE PLATE						1	1.00
56		SS2110930SP		SCREW 11/64-40 L=8.7						5	
57		SS7110740TP		SCREW 11/64-40 L=7						4	
58	R	13533104	26224204	FINGER GUARD	EXCEPT L-K-1900AH,AW					1	1.00
59		13548300		FINGER GUARD	FOR LK-1900AH,AW					1	
60		SS8080310TP		SCREW 1/8-44 L=2.8						2	
61		13518600		WORK CLAMP FOOT, RIGHT	FOR LK-1900AS,AF					1	
62		13518709		WORK CLAMP FOOT, LEFT	FOR LK-1900AS,AF					1	
63		13548102		WORK CLAMR FOOT. RIGHT	FOR LK-1900AH,AW					1	
64		13548201		WORK CLAMR FOOT LEFT	FOR LK-1900AH,AW					1	
65		13542915		WORK CLAMP FOOT, RIGHT	FOR LK-1900AM					1	
66		13543012		WORK CLAMP FOOT, LEFT	FOR LK-1900AM					1	
67	R	40006745	40103155	LEVER DRIVING PLATE L ASM.						1	1.00
68	R	40006747	40103154	LEVER DRIVING PLATE R ASM.						1	1.00
69		SM6061802TP		SCREW M6 L=18						1	
70		WP0621016SD		WASHER 6.2X13X1						1	
71		40010570		HIDDEN_PLATE						1	
72		SM5030501SC		SCREW M3 L=5						2	
73		14116107		FEED PLATE A	FOR LK-1900AS					1	
74		14116206		FEED PLATE B	FOR LK-1900AM					1	
75		13554803		FEED PLATE	FOR LK-1900AH,AW					1	
76		14116800		FEED PLATE H	FOR LK-19-00AF(EXCEPT JE)					1	
77		14116404		FEED PLATE D	FOR LK-1900AF,JE					1	
78		SM3061052TP		SCREW M6 L=10						1	
79		WP0621016SD		WASHER 6.2X13X1						1	
80	R	40039012	40083883	LIFTING LEVER SHAFT B						1	1.00
81		SM4042055SP		SCREW M4 L=20						2	
82		WP0450801SP		WASHER						2	

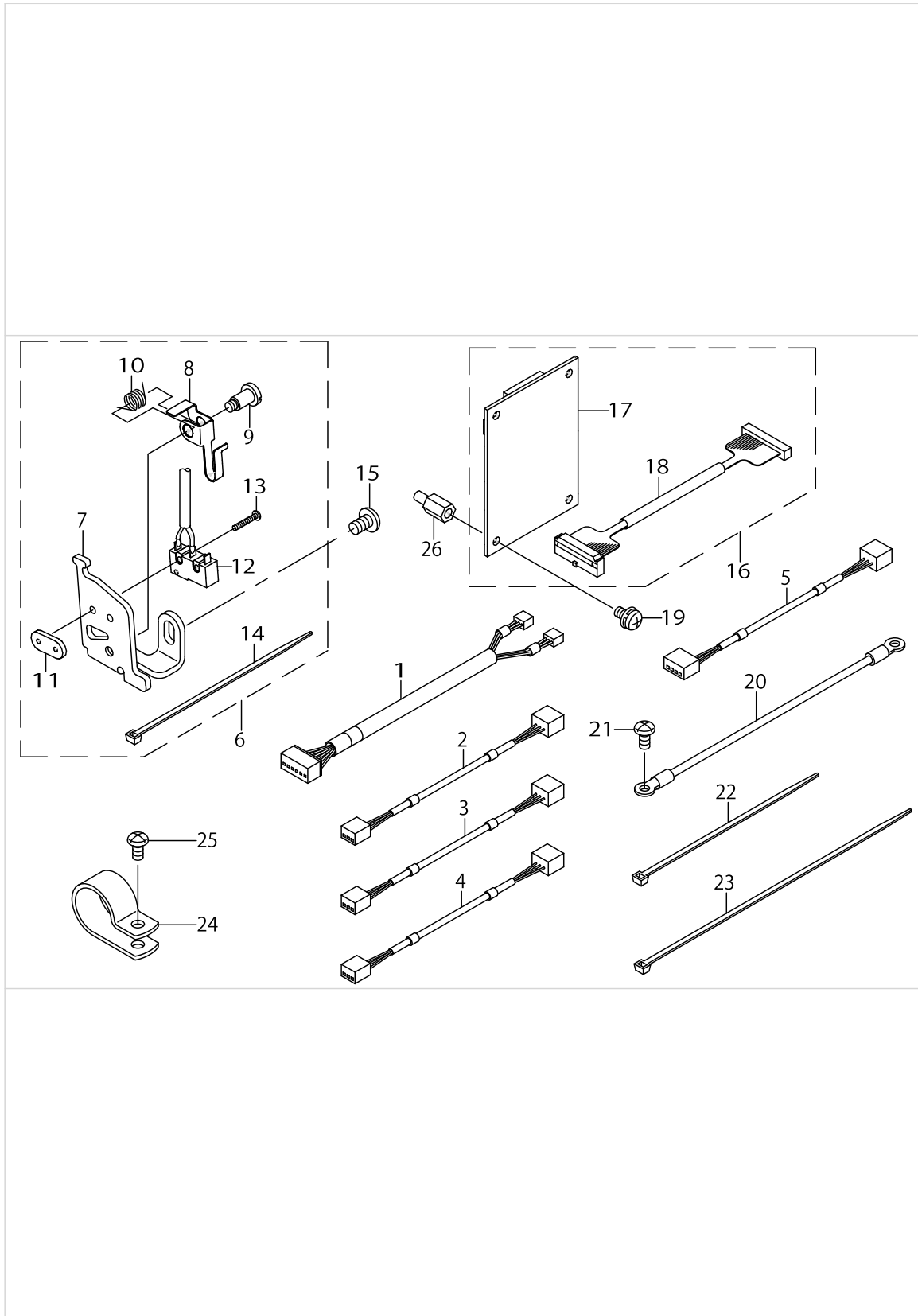
TC CLAMP COMPONENTS



TC CLAMP COMPONENTS

No.	Supply Code	Parts No.	Replacement	Parts name	Remarks	Choice	Step	Level	Cons	Qty	Rep. QTY
1		40006761		TC CLAMP						1	
2		40006762		TC CLAMP PLATE ASM.						1	
3		40006765		TC SUPPERT PLATE ASM.						1	
4	R	40006768	40012815	TC JOINT ASM.						1	1.00
5		40015800		TC-LINK_ASM						1	
6		SM2360110TP		SCREW M1.6X0.2 L=1.35						2	
7		WP0320500SC		WASHER M3						1	
8		RE0200000K0		E-RING						2	
9		SD0400266TP		HINGE SCREW D=4 H=2.6						1	
10		40010589		TC BASE						1	
11		SM6040650TP		SCREW M4 L=6						4	
12	R	40006772	40010590	TC CAM PLATE						1	1.00
13		40006780		TC SPRING						1	
14		40006781		TC BASE COVER						1	
15		SM6020350SP		SCREW M2 L=2.5						4	
16		40006782		TC NOTCH R						1	
17		SM4020600SP		SCREW M2 L=6						2	
18		40006777		TC NOTCH F						1	
19		SM6020450TP		SCREW						2	
20		40010527		TC_DRIVING_ARM_ASM.						1	
21	R	40010528	40010527	TC_DRIVING_ARM				*		1	1.00
22	R	40011152	40010527	TC_ARM_SCREW				*		2	1.00
23		SD0800406TP		SHOULDER SCREW D8 H4						1	
24		40006776		TC CONNECTING LINK						1	
25		SD0350156TP		SHOULDER SCREW						1	
26		40010530		SENSOR_SLIT						1	
27		SM6030502TP		BOLT M3X5						1	
28		40006864		THREAD CLAMP MOTOR						1	
29		SM6041200SP		SCREW M4 L=12						4	
30		40010531		SENSOR_INSTALLING_BASE						1	
31		SM6040802TP		SCREW M4X0.7 L=8						1	
32		HD00057000A		PHOTO SENSOR						2	
33		SL4031091SC		SCREW M3 X 10						2	
34		40010532		DUST_GUARD						1	
35		SM4030601SN		SCREW M3 X 6						1	
36		WP0450801SP		WASHER						1	

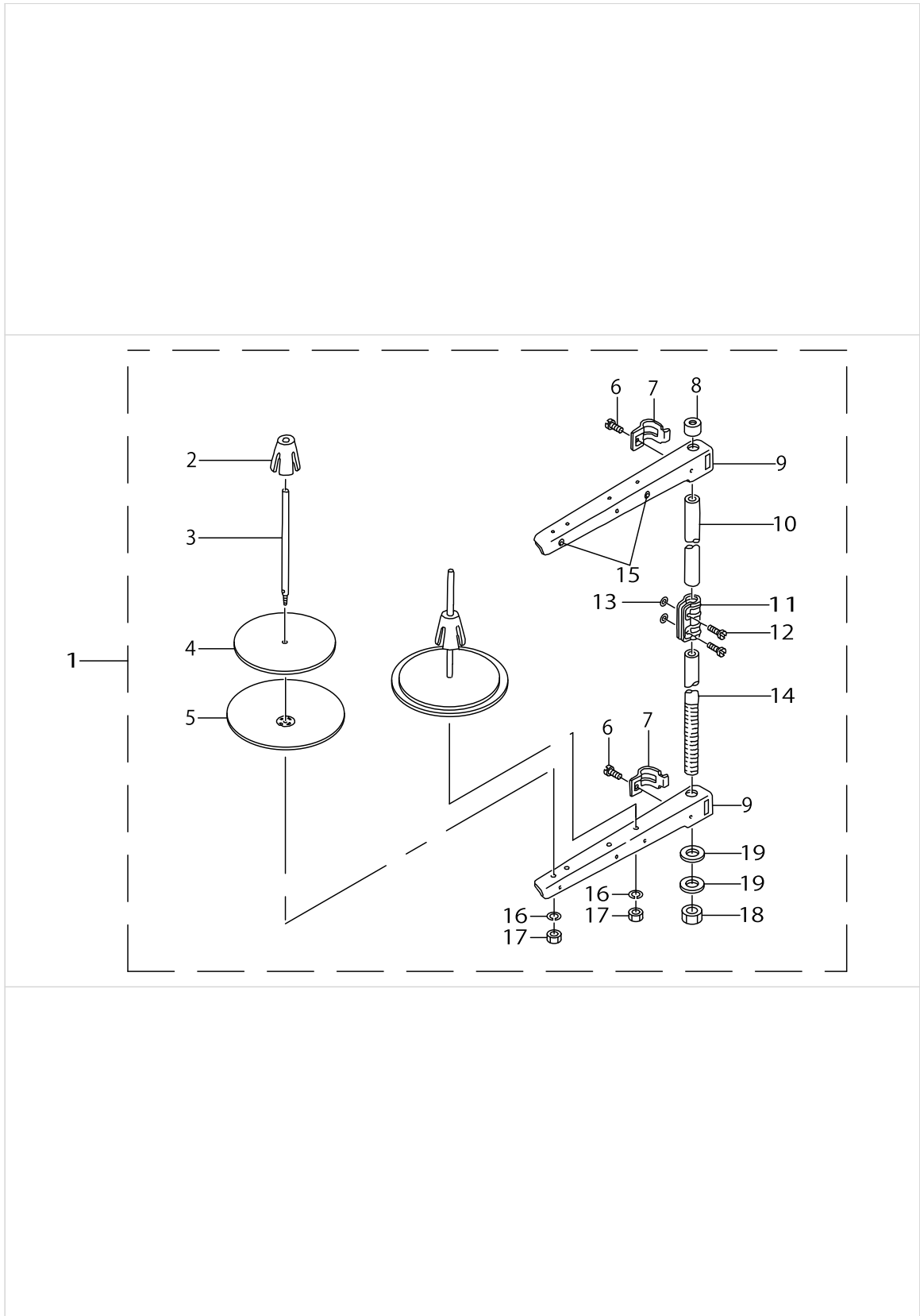
SENSOR COMPONENTS



SENSOR COMPONENTS

No.	Supply Code	Parts No.	Replacement	Parts name	Remarks	Choice	Step	Level	Cons	Qty	Rep. QTY
1		40005729		TH SENSOR CABLE ASM.						1	
2		40005731		Y SENSOR CABLE ASM.						1	
3		40005732		PF SENSOR CABLE ASM.						1	
4		40005730		X SENSOR CABLE ASM.						1	
5		40005733		TT SENSOR CABLE ASM.						1	
6		40006495		SAFETY SW ASM.						1	
7	R	40006496	40006495	SAFETY SW BASE				*		1	1.00
8		23638109		SAFETY SWITCH ARM.				*		1	
9	R	40006497	40006495	SAFETY SW ARM SHAFT				*		1	1.00
10	R	23638208	23638059	SAFETY SWITCH SPRING				*		1	1.00
11	R	23638406	23638059	SAFETY SWITCH NUT				*		1	1.00
12		40005734		SAFETY SW CABLE ASM.				*		1	
13		SM4021201SC		SCREW M2 L=12				*		2	
14		EA9500B0100		CABLE BAND				*		1	
15		SM4050855SP		SCREW						1	
16		40005664		INT PCB ASM.						1	
17	R	40005660	40005664	INT PCB				*		1	1.00
18		40005725		INT CABLE ASM.				*		1	
19		SL4040881SF		SCREW M4 L=8						4	
20		14115554		HEAD GROUND CABLE A ASM.						1	
21		SM4040855SP		SCREW						1	
22		EA9500B0100		CABLE BAND						6	
23		EA9500B0200		CABLE BAND 150						3	
24		HX00150000K		CABLE CLIP						1	
25		SM4040855SP		SCREW						1	
26		HX003390000		STUD						4	

THREAD STAND COMPONENTS



THREAD STAND COMPONENTS

No.	Supply Code	Parts No.	Replacement	Parts name	Remarks	Choice	Step	Level	Cons	Qty	Rep. QTY
1	R	22930358	40096354	THREAD STAND ASM.						1	1.00
2	R	22931109	40085791	SPOOL RETAINER				*		2	1.00
3	R	22931000	40085790	SPOOL PIN				*		2	1.00
4		22930903		SPOOL REST CUSHION				*		2	
5		22930804		SPOOL REST				*		2	
6		SM6061610SC		SCREW M6 L=16				*		2	
7	R	22930705	40096354	THREAD GUIDE ARM JOINT				*		2	1.00
8		22931406		SPOOL REST ROD RUBBER CAP				*		1	
9	R	22930507	40096354	SPOOL REST ARM				*		2	1.00
10	R	22930408	40096354	SPOOL REST ROD, UPPER				*		1	1.00
11	R	22931307	40096354	SPOOL REST ROD JOINT				*		1	1.00
12		SM4051405SE		SCREW M5 L=14				*		2	
13		NM6050001SE		NUT M5				*		2	
14	R	22930309	40096354	SPOOL REST ROD, LOWER				*		1	1.00
15		22931208		THREAD GUIDE				*		2	
16		WS0510002KN		SPRING WASHER				*		2	
17		NM6050001SE		NUT M5				*		2	
18		NM6160511SE		NUT M16X1.5				*		1	
19		WP1702600S0		WASHER 17X30X2.6				*		2	

TABLE STAND COMPONENTS (JT-K44)

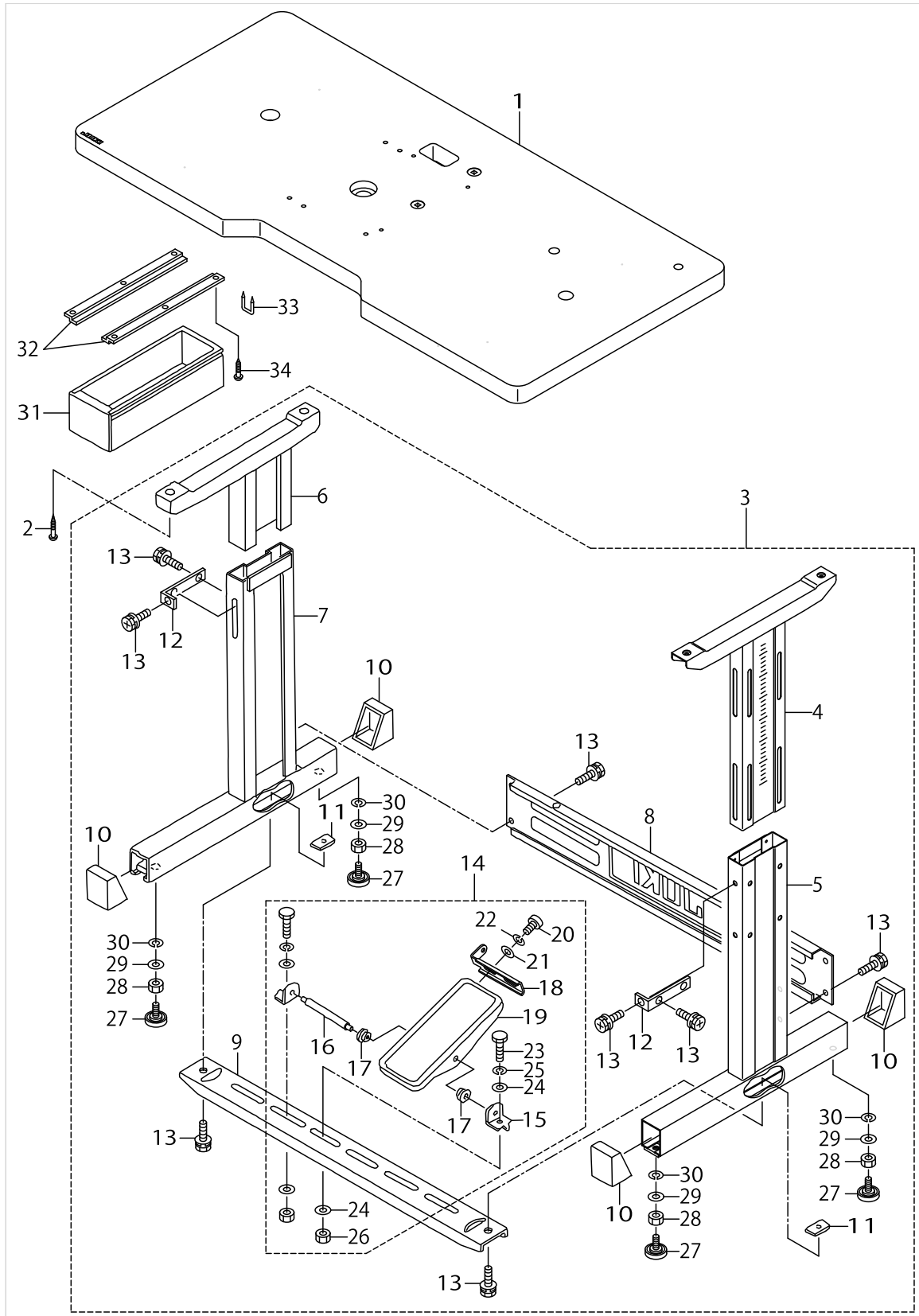
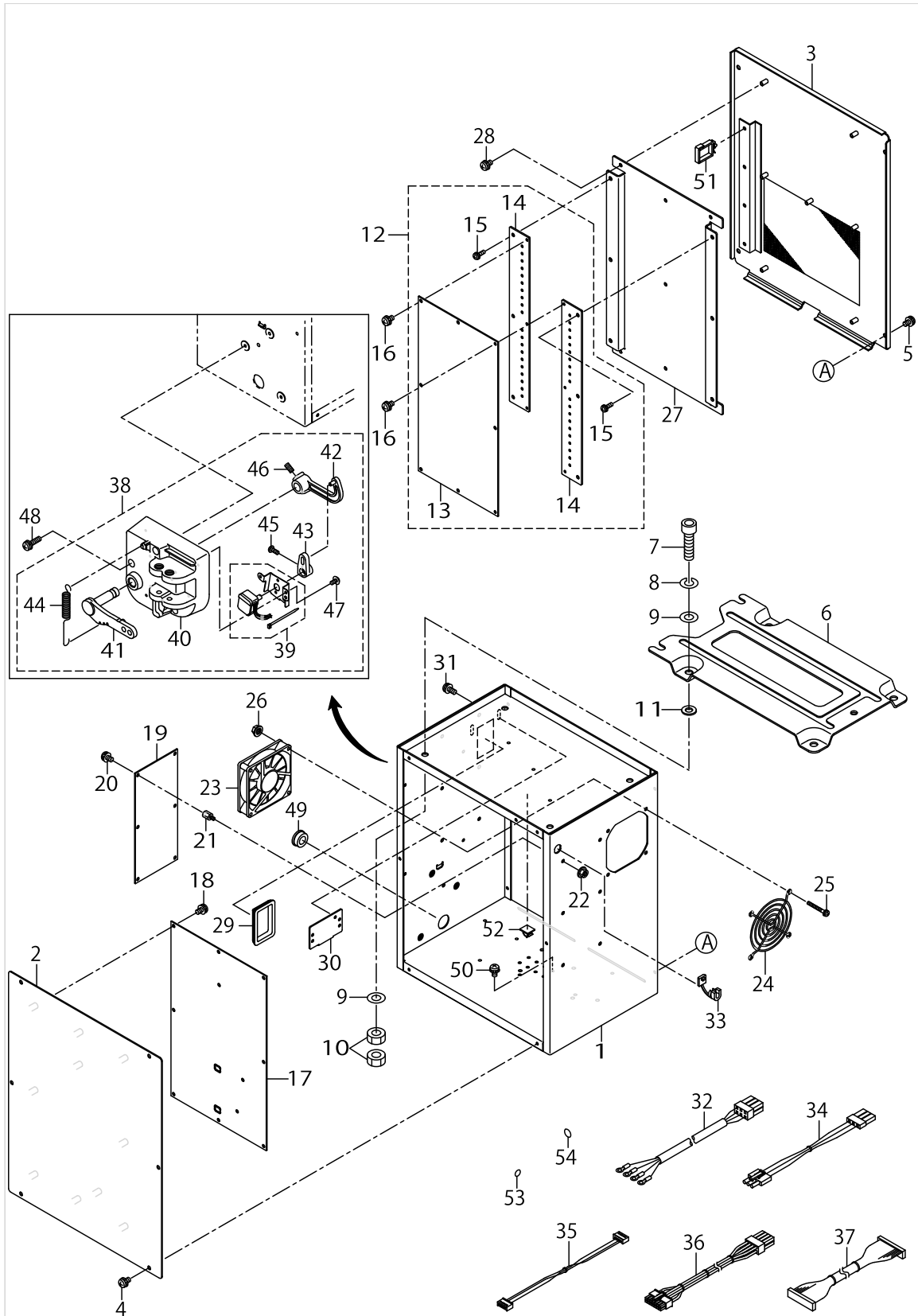


TABLE STAND COMPONENTS (JT-K44)

No.	Supply Code	Parts No.	Replacement	Parts name	Remarks	Choice	Step	Level	Cons	Qty	Rep. QTY
1		40006886		TABLE						1	
2		SK3513201SE		WOOD SCREW D=5.1 L=32						4	
3		14118053		T-STAND COMPL.						1	
4		14118152		UPPER STAND ASM.,RIGHT				*		1	
5		14118251		STAND ASM.,RIGHT				*		1	
6		B8101210AAB		UPPER STAND ASM.				*		1	
7		B8105210AAA		STAND ASM.				*		1	
8	D	11158300		STAND SIDE SUPPORT				*		1	
9		11158409		STAND SIDE SUPPORT				*		1	
10		11158607		RUBBER CAP				*		4	
11		17007402		NUT				*		2	
12		11158516		UPPERSTANDPLATE				*		2	
13		SL9082091SE		WASHER HEXAGONAL BOLT				*		12	
14		13817754		Z-STAND PEDAL ASM.				*		1	
15		11159001		PEDAL SHAFT BRACKET				*		2	
16		B8153771000		PEDAL CONNECTING ROD				*		1	
17		D8113555B00		PEDAL BUSHING				*		2	
18		GPF06080000		PEDAL ADJUSTING PLATE				*		1	
19		GPF060600A0		PEDAL ASM.				*		1	
20		SM9061203SE		SCREW M6 L=12				*		2	
21		WP0671016SE		WASHER 6.7X13X1				*		2	
22		WS0621210KR		SPRING WASHER 6.2X11.4X1.2				*		2	
23		SM9082023SE		SCREW M8 L=20				*		2	
24		WP0871602SE		WASHER 8.7X18X1.6				*		4	
25		WS0861410KR		SPRING WASHER 8.6X15X1.4				*		2	
26		NM6080721SE		NUT M8				*		2	
27		B81085550A0		ADJUSTING SCREW ASM. WITH CAP				*		4	
28		NM6120001SE		NUT M12				*		4	
29		WP1302501SE		WASHER M12				*		4	
30		WS1253010KN		SPRING WASHER 12.5X21.5X3				*		4	
31	R	11155108	11155157	DRAWER						1	1.00
32		11155207		DRAWER SUPPORT						2	
33		D8204555D00		DRAWER STOPPER						1	
34		SK3311601SE		WOOD SCREW D=3.1 L=16						6	

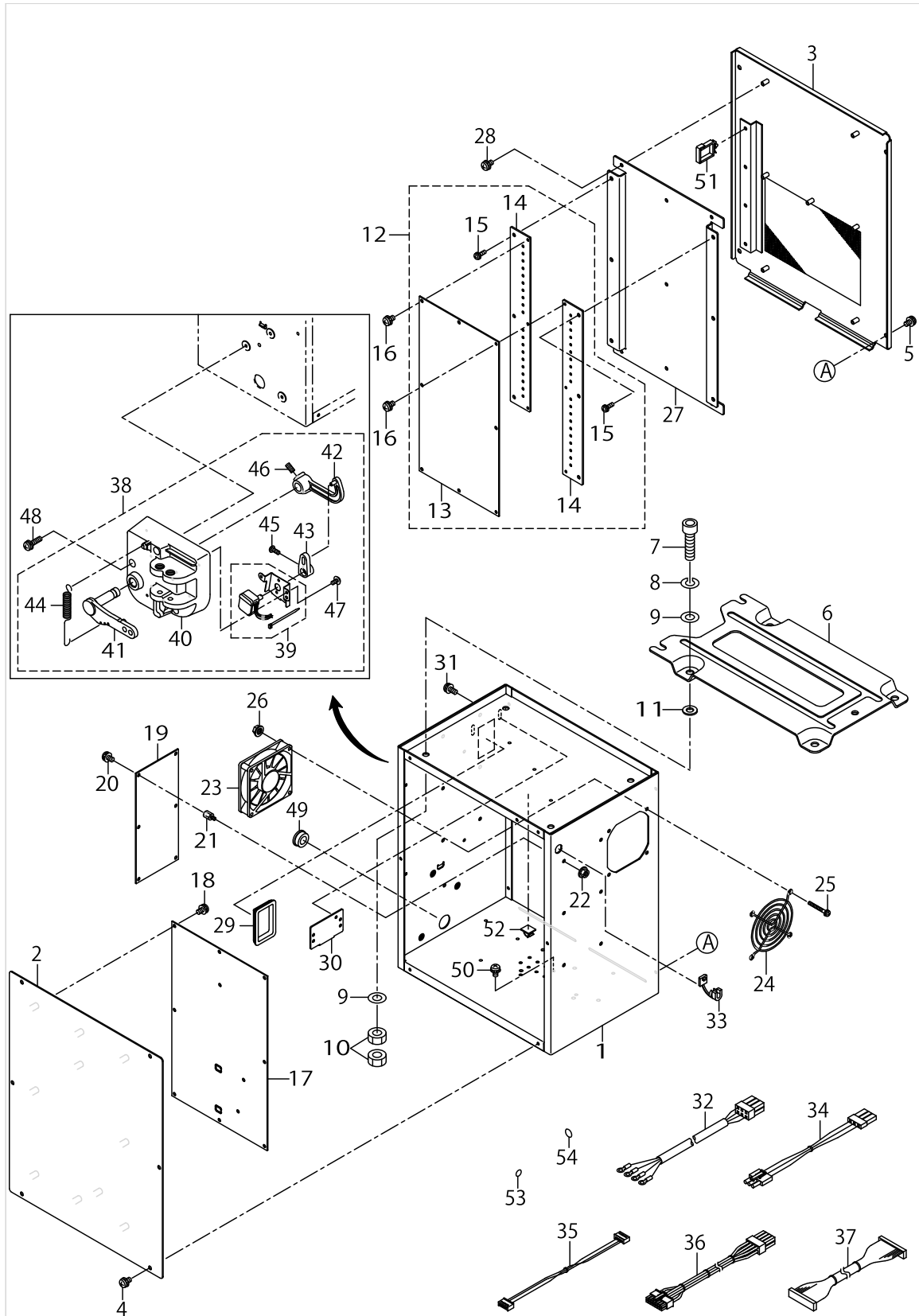
CONTROL BOX COMPONENTS



CONTROL BOX COMPONENTS

No.	Supply Code	Parts No.	Replacement	Parts name	Remarks	Choice	Step	Level	Cons	Qty	Rep. QTY
1		40055355		CONTROL BOX						1	
2		40055356		CONTROL BOX FRONT COVER						1	
3		40055357		CONTROL BOX REAR COVER						1	
4		SL4040891SC		SCREW M4 L=8						6	
5		SL4040891SC		SCREW M4 L=8						4	
6		M3801476000		TRANSMISSION BOX FITTING PLATE						1	
7		SM6083002TN		SCREW M8 L=30						4	
8		WS0820002KR		SPRING WASHER, M8						4	
9		WP0841601SC		WASHER 8.4X17.4X1.6						8	
10		NM6080001SC		NUT M8X1.25						8	
11		M4206461000		WASHER						4	
12		40005648		MAIN PCB ASS'Y						1	
13	R	40005641	40005648	MAIN PCB				*		1	1.00
14		40005705		MAIN PCB HEAT SINK				*		2	
15		SL4031081SF		SCREW M3 L=10				*		6	
16		SL4040881SC		SCREW M4 L=8						6	
17	R	40000029	40082758	SDC PCB A ASS'Y						1	1.00
18		SL4040881SC		SCREW M4 L=8						10	
19		40000056		FLT-T PCB A ASS'Y						1	
20		SL4040881SC		SCREW M4 L=8						6	
21		HX003390000		STUD						6	
22		NM3040520SC		NUT M4						6	
23		40005401		FAN MOTOR ASS'Y						1	
24		KM000000480		FAN MOTOR						1	
25		SL4043591SC		SCREW						4	
26		NM3040520SC		NUT M4						4	
27		40005706		MAIN PCB HOLDER PLATE						1	
28		SL4040881SC		SCREW M4 L=8						5	
29		HX004070000		BUSH						1	
30		17845009		CORD FITTING PLATE						1	
31		SL4041091SC		SCREW M4 L=10						2	
32		40005391		POWER CORD 3P ASS'Y						1	
33		HX00410000A		STRAIN RELIEF BUSHING						1	
34		40005393		FLT-SDC CORD P ASS'Y						1	
35		40005394		FLT-SDC CORD S ASS'Y						1	
36		40005726		SDC-MAIN CORD P ASS'Y						1	
37		40005727		SDC-MAIN CORD S ASS'Y						1	
38		40003484		PEDAL SENSOR ASM.						1	
39		40003485		SENSOR FITTING PLATE A ASM.				*		1	
40		M4001461000		PEDAL SENSOR BASE				*		1	
41		M4002461000		PEDAL LEVER				*		1	
42	R	M4004461000	40006204	PEDAL RING				*		1	1.00
43		M4005461000		VOLUME LINK				*		1	
44		M4007351000		FRONT SPRING				*		1	
45		SM4030801SF		SCREW M3X0.5 L=8				*		1	
46		SM8040802TP		SCREW M4X8				*		2	

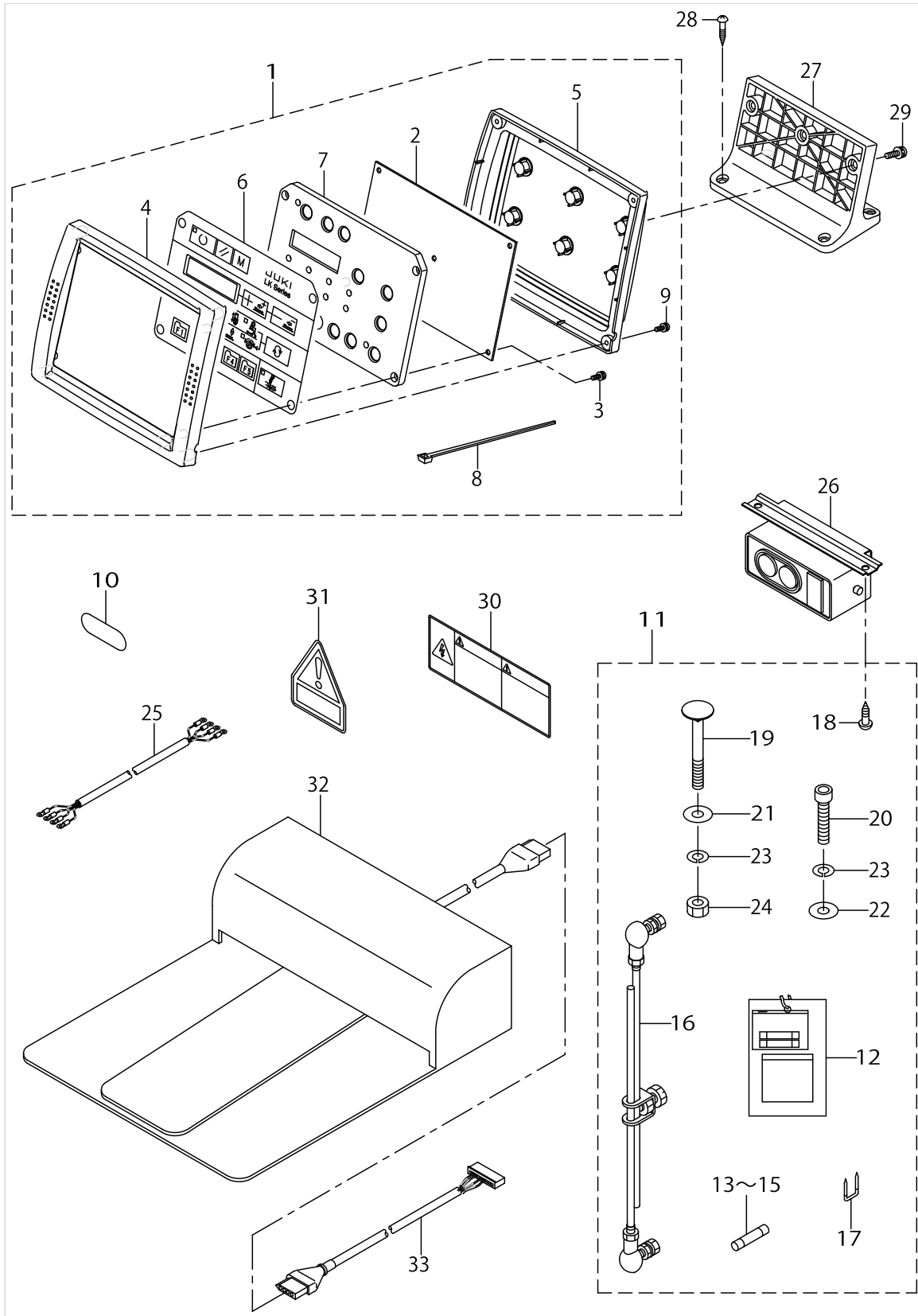
CONTROL BOX COMPONENTS



CONTROL BOX COMPONENTS

No.	Supply Code	Parts No.	Replacement	Parts name	Remarks	Choice	Step	Level	Cons	Qty	Rep. QTY
47		SV4030601SR		SCREW M3 L=6				*		2	
48		SL4041681SF		SCREW M4 L=16						3	
49		HX00188000D		BUSH						1	
50		SL4040891SC		SCREW M4 L=8						2	
51		HX005110000		WIRE SADDLE						3	
52		E9607603000		STICKER (SMALL)						1	
53		E9567319000		EARTH MARK						1	
54		40003458		MASK SEAL						10	

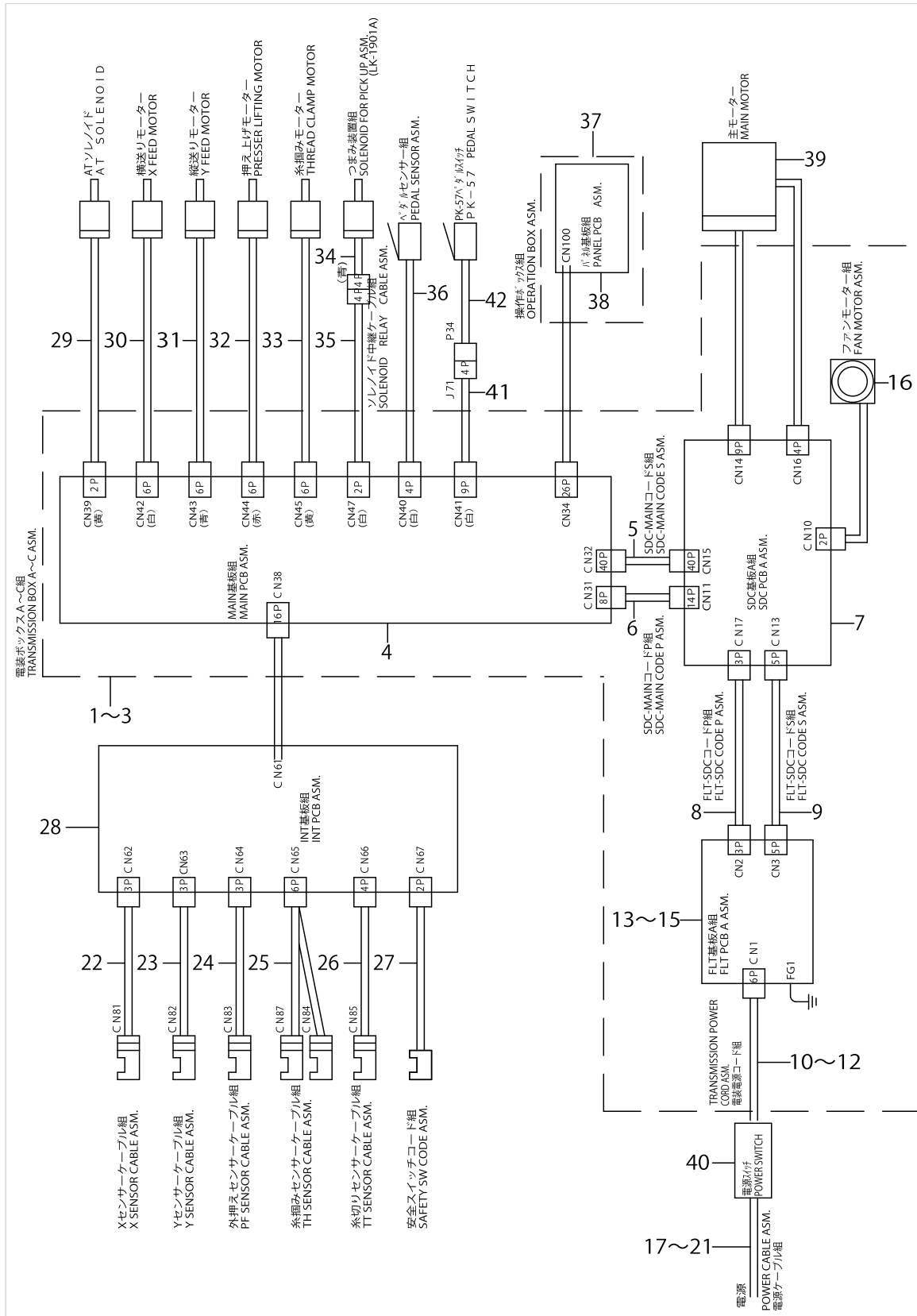
OPERATION PANEL COMPONENTS



OPERATION PANEL COMPONENTS

No.	Supply Code	Parts No.	Replacement	Parts name	Remarks	Choice	Step	Level	Cons	Qty	Rep. QTY
1		40005695		OPERATION BOX A ASM.						1	
2		40005677		PANEL PCB ASS'Y				*		1	
3		SL4031081SC		SCREW M3 X 10				*		4	
4		40005692		OPERATION BOX FRONT CASE				*		1	
5		40005693		OPERATION BOX REAR CASE				*		1	
6		40005691		OPERATION PANEL SHEET				*		1	
7		40005694		PANEL PCB HOLDER PLATE				*		1	
8		EA9500B0100		CABLE BAND				*		1	
9		SL4031081SC		SCREW M3 X 10				*		4	
10		BME03200000		VOLTAGE INDICATION SEAL						1	
11		40005385		ACCESSORIE PARTS A ASM.						1	
12		M300451100A		VOLTAGE INDICATION CARD,A				*		1	
13		HF00130315S		FUSE 3.15A 250V REF. NO.112				*		1	
14		HF003000200		FUSE 2A (220/240V)				*		1	
15		HF0013050P0		FUSE 5A				*		1	
16		22958458		CONNECTING ROD ASM. B				*		1	
17		MAO11532000		CORD STAPLE				*		3	
18		SK3512001SE		WOOD SCREW D=5.1 L=20				*		2	
19		MTSHJ100003		BOLT				*		2	
20		SM6084002TN		SCREW M8 L=40				*		1	
21		WP0852086SC		WASHER M8				*		2	
22		WP0841601SC		WASHER 8.4X17.4X1.6				*		1	
23		WS0820002KR		SPRING WASHER, M8				*		3	
24		NM6080002SC		NUT M8				*		2	
25		M90175800A0		POWER CABLE ASM.						1	
26		HA004250000		SWITCH						1	
27		40005697		OPERATION BOX FITTING PLATE						1	
28		SK3382001SE		SCREW D=3.8 L=20						4	
29		SL4041691SC		SCREW M4 L=16						3	
30		CM300100401		LABEL 3 (LARGE)						1	
31		CM300400601		VOLTAGE CAUTION LABEL						1	
32		GPK570010B0		PEDAL SWITCH ASM.	OPTIONAL PART					1	
33		M90135900A0		PK57 TRANSFER CABLE ASM.	OPTIONAL PART					1	

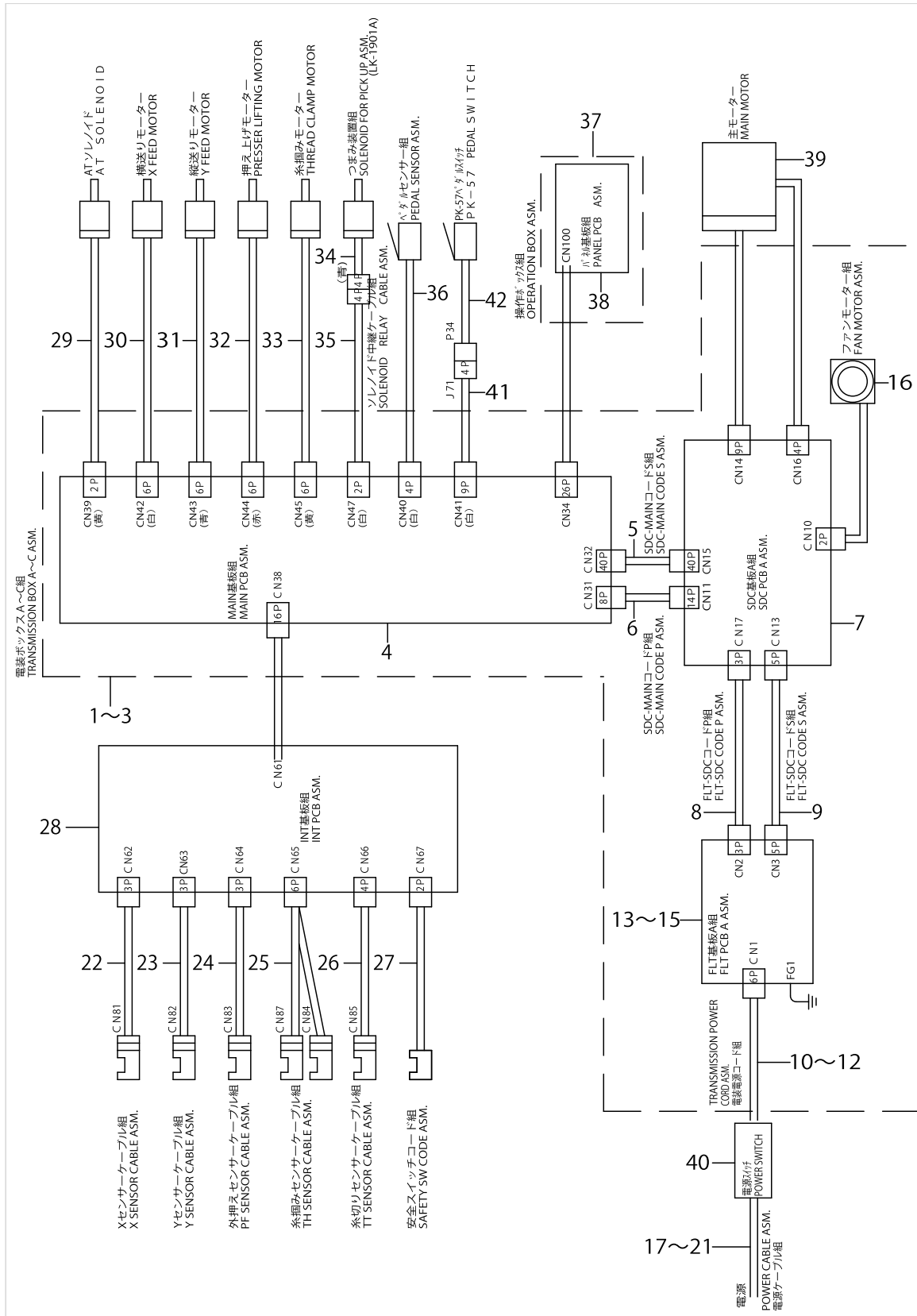
WIRING DIAGRAM



WIRING DIAGRAM

No.	Supply Code	Parts No.	Replacement	Parts name	Remarks	Choice	Step	Level	Cons	Qty	Rep. QTY
1		40005700		CONTROLBOXAASM.	FOR EXPORT/USE IN JAPAN (3-PHASE)					1	
2		40005701		CONTROLBOXBASM.	FOR JE(1-PHASE)					1	
3		40005702		CONTROLBOXCASM.	FOR GENERAL EXPORT(1-PHASE)					1	
4		40005648		MAIN PCB ASS'Y				*		1	
5		40005727		SDC-MAIN CORD S ASS'Y				*		1	
6		40005726		SDC-MAIN CORD P ASS'Y				*		1	
7	R	40000029	40082758	SDC PCB A ASS'Y				*		1	1.00
8		40005393		FLT-SDC CORD P ASS'Y				*		1	
9		40005394		FLT-SDC CORD S ASS'Y				*		1	
10		40005391		POWER CORD 3P ASS'Y	FOR EXPORT/USE IN JAPAN (3-PHASE)			*		1	
11		40005392		POWER CORD 1P ASS'Y	FOR JE(1-PHASE)			*		1	
12		40005388		POWER CORD 1P220V ASS'Y	FOR GENERAL EXPORT(1-PHASE)			*		1	
13		40000056		FLT-T PCB A ASS'Y	FOR EXPORT/USE IN JAPAN (3-PHASE)			*		1	
14	R	40000046	40162838	FLT-S PCB A ASS'Y	FOR JE(1-PHASE)			*		1	1.00
15	R	40000046	40162838	FLT-S PCB A ASS'Y	FOR GENERAL EXPORT(1-PHASE)			*		1	1.00
16		40005401		FAN MOTOR ASS'Y				*		1	
17		M90175800A0		POWER CABLE ASM.	FOR EXPORT/USE IN JAPAN (3-PHASE)					1	
18		M90355800A0		POWER SOURCE CORD ASM.	FOR 100V					1	
19		M90345800A0		GROUND CORD ASM.	FOR USE IN JAPAN 10-0V(1-PHASE)					1	
20		40005390		POWER CABLE JE ASS'Y	FOR CE(1-PHASE)					1	
21		M90245800A0		POWER CABLE ASM.,100V	FOR GENERAL EXPORT(1-PHASE)					1	
22		40005730		X SENSOR CABLE ASM.						1	
23		40005731		Y SENSOR CABLE ASM.						1	
24		40005732		PF SENSOR CABLE ASM.						1	
25		40005729		TH SENSOR CABLE ASM.						1	
26		40005733		TT SENSOR CABLE ASM.						1	
27		40005734		SAFETY SW CABLE ASM.						1	
28		40005664		INT PCB ASM.						1	
29		40006628		AT SOLENOID						1	
30	R	40029901	40125207	X FEED MOTOR						1	1.00
31	R	40029902	40125208	Y FEED MOTOR						1	1.00
32	R	40029903	40125209	PRESSER LIFTING MOTOR						1	1.00
33		40006864		THREAD CLAMP MOTOR						1	
34		40006912		SOLENOID FOR PICK UP ASM.	FOR LK-1901A					1	
35		40005728		SOLENOID RELAY CABLE ASM.	FOR LK-1901A					1	
36		40003484		PEDAL SENSOR ASM.						1	
37		40005695		OPERATION BOX A ASM.						1	
38		40005677		PANEL PCB ASS'Y				*		1	

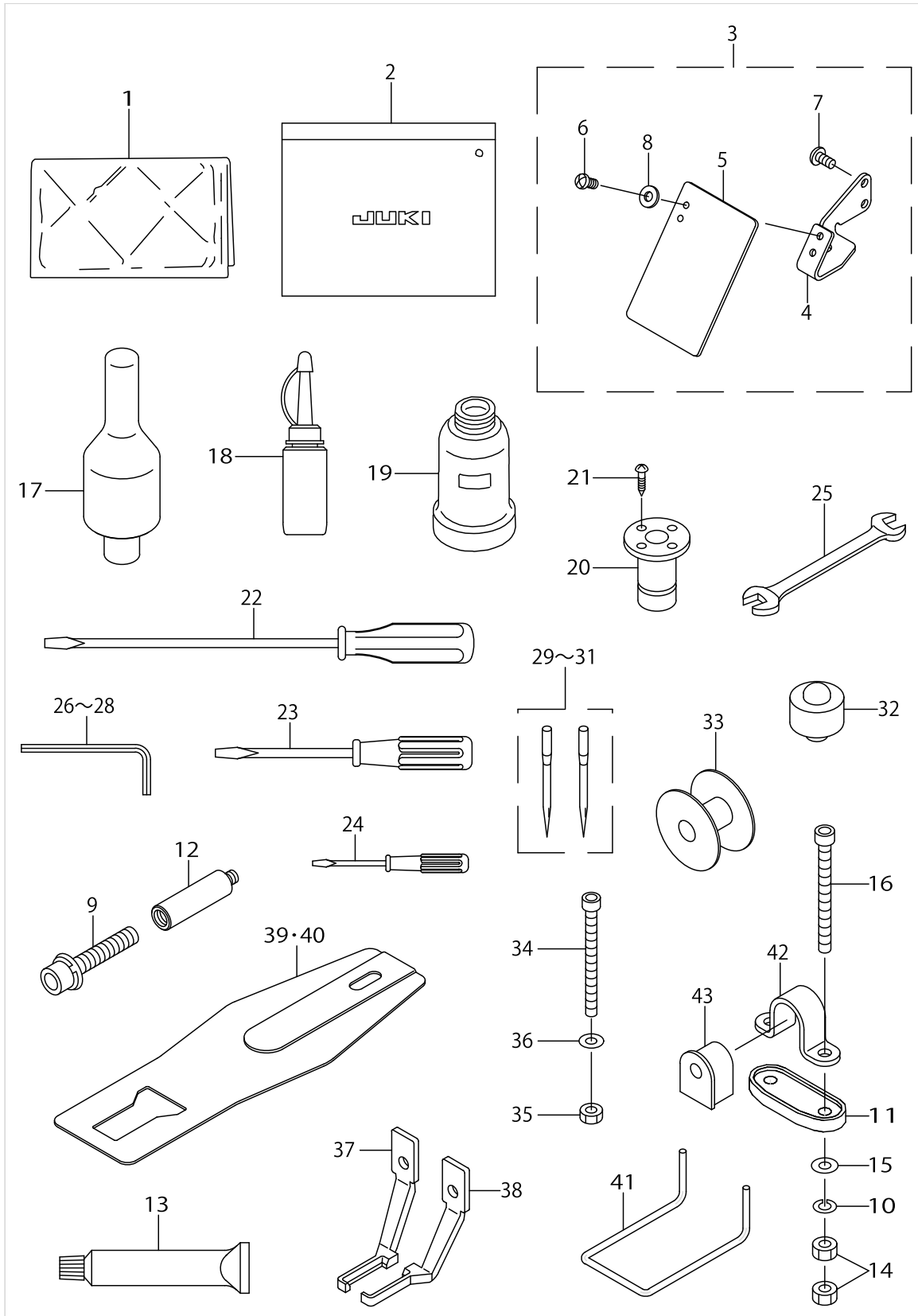
WIRING DIAGRAM



WIRING DIAGRAM

No.	Supply Code	Parts No.	Replacement	Parts name	Remarks	Choice	Step	Level	Cons	Qty	Rep. QTY
39		40028015		AC SERVO MOTOR						1	
40		HA004250000		SWITCH	EXCEPT C-E(1-PHASE)					1	
41		M90135900A0		PK57 TRANSFER CABLE ASM.	OPTIONAL PART					1	
42		GPK570010B0		PEDAL SWITCH ASM.	OPTIONAL PART					1	

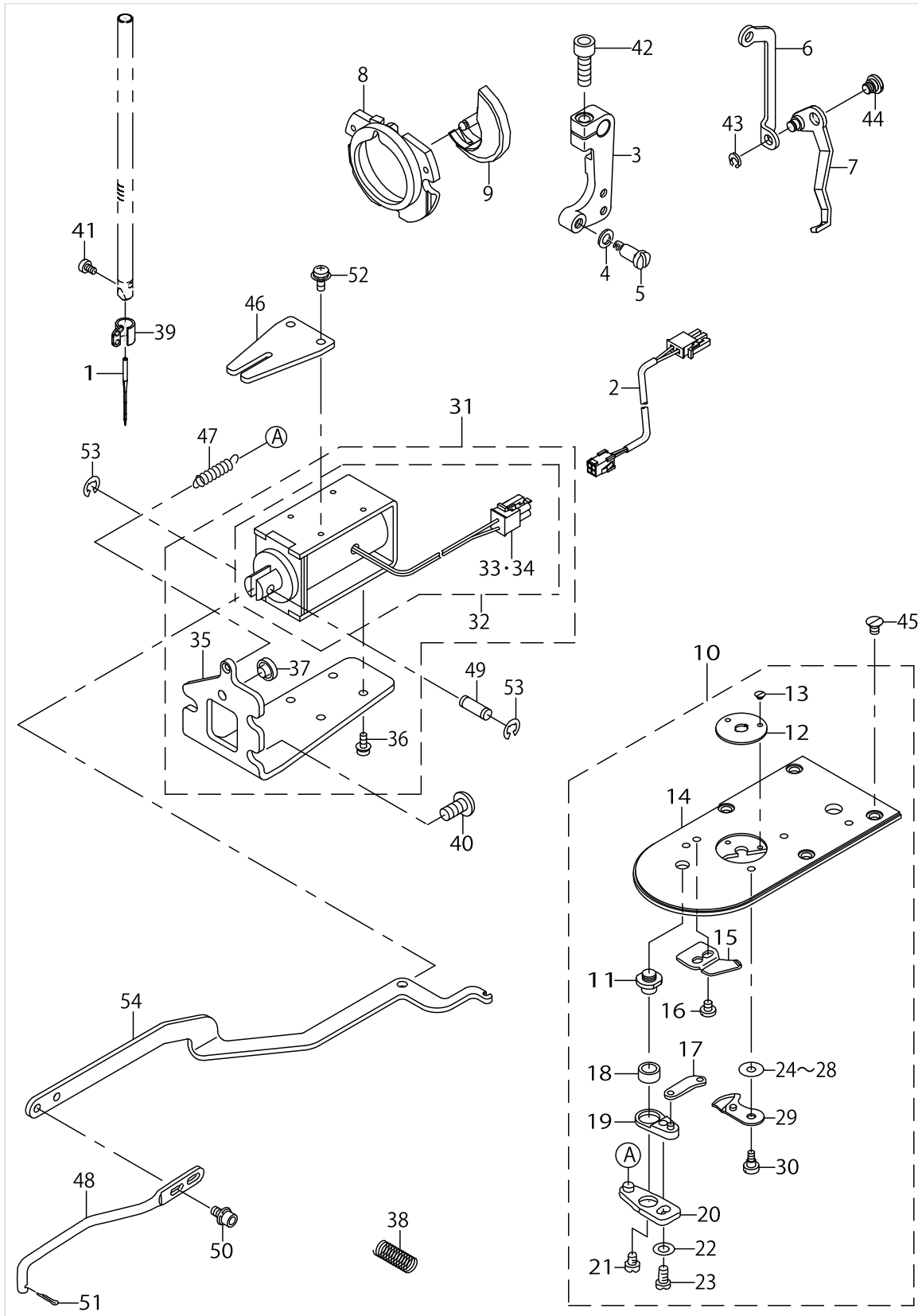
ACCESSORIE PART COMPONENTS



ACCESSORIE PART COMPONENTS

No.	Supply Code	Parts No.	Replacement	Parts name	Remarks	Choice	Step	Level	Cons	Qty	Rep. QTY
1		40048536		HEAD_COVER						1	
2		22932800		ACCESSORIE BAG						1	
3		40006484		SAFETY PLATE ASM						1	
4		40051987		SAFETY PLATE BASE				*		1	
5	R	B3120372000	26037200	SAFETY PLATE				*		1	1.00
6		SM4040655SP		SCREW M4 L=6				*		2	
7		SM4040855SP		SCREW				*		1	
8		WP0450801SD		WASHER 4.5X10X0.8				*		2	
9		SL6084092TN		BOLT						1	
10		WS0610002KN		SPRING WASHER 6.1X12.2X1.5						4	
11		40016195		BED_HINGE_RUBBER						2	
12		40036110		GREASE JOINT B						1	
13		40013640		JUKI_GREASE_B_TUBE						1	
14		NM6060001SC		NUT M6						8	
15		WP0651646SC		WASHER						4	
16		SM6066002TN		BOLT M6 L=60						4	
17		14101208		HEAD SUPPORT BAR						1	
18		B91212200A0		OILER (CONTAINING NO.2 OIL)						1	
19		B9121012000		OIL CAN						1	
20		B8202205000		OIL MANAGEMENT						1	
21		SK3311601SE		WOOD SCREW D=3.1 L=16						4	
22		22933006		SCREW DRIVER,LARGE						1	
23		22933105		SCREW DRIVER,MIDDLE						1	
24		22933204		SCREW DRIVER,SMALL						1	
25		B9113012000		WRENCH (9X10)						1	
26		B9140372000		HEXAGONAL WRENCH, SMALL						1	
27		B9141372000		HEXAGONAL WRENCH, LARGE						1	
28		GCT02906000		HEXAGONAL SPANNER						1	
29	R	MDP500B1402	MDP500B1400	NEEDLE DPX5#14-2	FOR LK-1900AS					1	1.00
30		MDP170B2102		NEEDLE DPX17#21-2	FOR LK-1900AH,AW					1	
31		MDP500B1102		DPX5#11-2	FOR LK-1900AF,AM					1	
32		40016194		FRAME_SUPPORT_RUBBER						2	
33		13812102		BOBBIN						1	
34		SM6066002TN		BOLT M6 L=60						1	
35		NM6060001SC		NUT M6						1	
36		WP0651646SC		WASHER						1	
37	R	13571906	13571955	CLOTH PRESSER FOOT (RIGHT)	FOR LK-1900AF					1	1.00
38	R	13572003	13571955	CLOTH PRESSER FOOT (LEFT)	FOR LK-1900AF					1	1.00
39		14116503		FEED PLATE E	FOR LK-1900AF,JE					1	
40		14116909		FEED PLATE I	FOR LK-19-00AF(EXCEPT JE)					1	
41		13573407		FINGER GUARD	FOR LK-1900AF					1	
42		B1111210D00		BED HINGE						2	
43		B1115210D00		HINGE RUBBER						2	

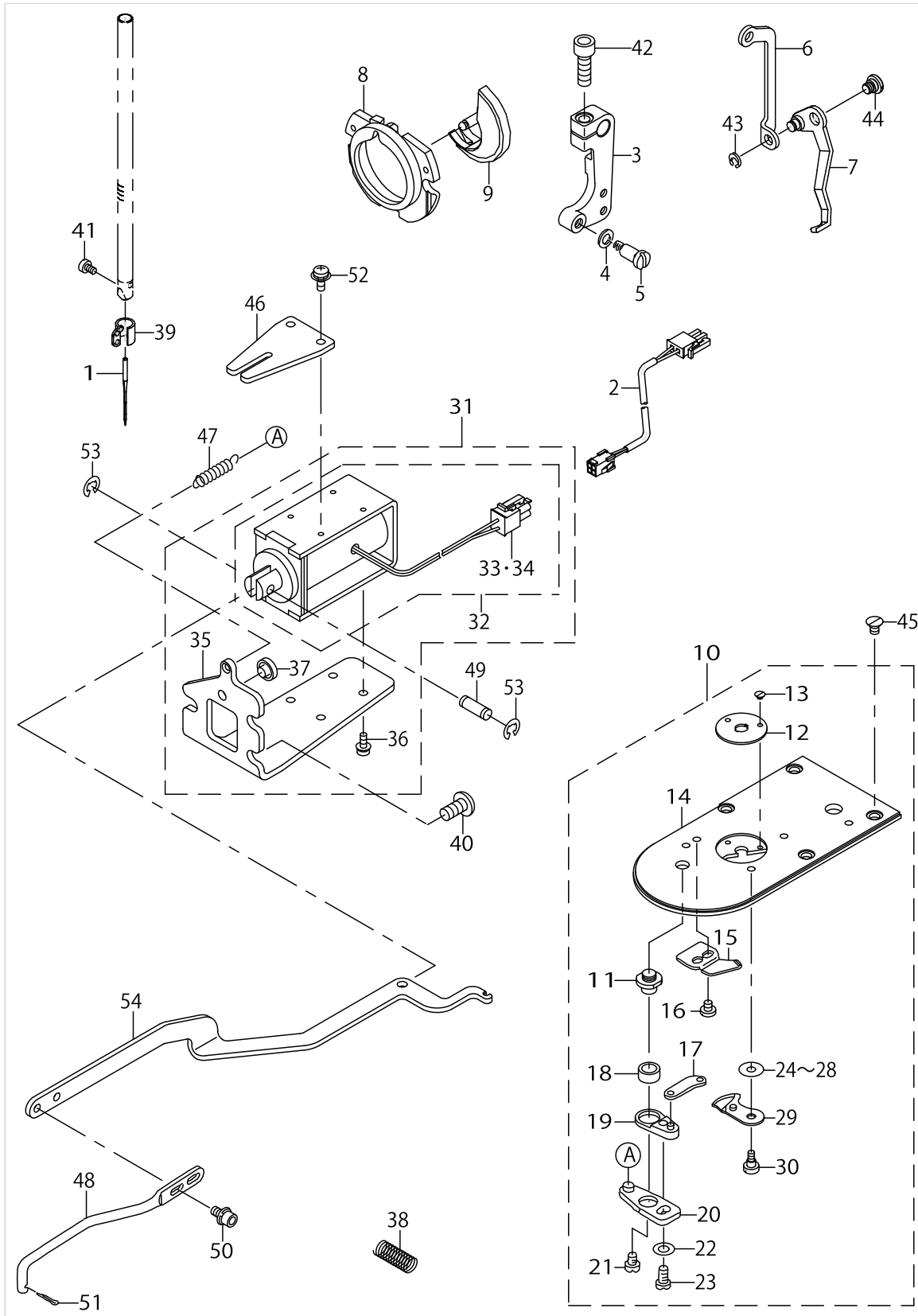
EXCLUSIVE PARTS FOR LK-1901AS (1)



EXCLUSIVE PARTS FOR LK-1901AS (1)

No.	Supply Code	Parts No.	Replacement	Parts name	Remarks	Choice	Step	Level	Cons	Qty	Rep. QTY
1		MDP500B1400		NEEDLE DPX5 #14						1	
2		40005728		SOLENOID RELAY CABLE ASM.						1	
3		40011949		CONNECTING ARM B						1	
4		WP0651056SH		WASHER 6.5X11X1						1	
5		SD1201506TP		SHOULDER SCREW						1	
6		40010458		WIPER_CONNECTING_PLATE						1	
7	R	B21012800A0	26218859	WIPER ASM.						1	1.00
8		14103352		INNER HOOK PRESSER ASM., B						1	
9	R	40006580	400065800A0	SHUTTLE		A				1	1.00
9	R	40006580	40110846	SHUTTLE		B				1	1.00
10		40006722		NEEDLE PLATE ASM.,A						1	
11		B2417280000		THREAD CUTTER LEVER SHAFT				*		1	
12		B2426280000		NEEDLE HOLE GUIDE				*		1	
13		SS1060210TP		SCREW 3/32-56 L=2.2				*		2	
14		40006721		NEEDLE PLATE				*		1	
15		B2424280000		FIXING KNIFE				*		1	
16		SS7090410SP		SCREW 9/64-40 L= 3.5				*		1	
17		B2418280000		MOVING KNIFE LINK				*		1	
18		B2416280000		THREAD CUTTING LEVER RING				*		1	
19		B24152800A0		THREAD CUTTER L- EVER ASM., SMAL				*		1	
20		B24142800A0		THREAD CUTTER L- EVER ASM., LARG				*		1	
21		SS6110430TP		SCREW 11/64-40 L= 4.0				*		1	
22		WP0450846SP		WASHER				*		1	
23		SS7110740TP		SCREW 11/64-40 L=7				*		1	
24		B242328000C		MOVING KNIFE WASHER C	SELECTIVE PARTS			*		1	
25		B242328000A		MOVING KNIFE WASHER A	SELECTIVE PARTS			*		1	
26		B242328000B		MOVING KNIFE WASHER B	SELECTIVE PARTS			*		1	
27		B242328000D		MOVING KNIFE WASHER D	SELECTIVE PARTS			*		1	
28		B242328000E		MOVING KNIFE WASHER E	SELECTIVE PARTS			*		1	
29		B24212800A0		MOVING KNIFE ASM.				*		1	
30		SD0500091TP		HINGE SCREW D= 5.0 H= 0.9				*		1	
31		40006912		SOLENOID FOR PICK UP ASM.				*		1	
32		14141758		SOLENOID FOR PICK-UP COMPL.				*		1	
33		HK03461004A		HOUSING,BLUE 4P				*		1	
34		HK034640000		PIN CONTACT				*		2	
35		40006913		SOLENOID INSTALLING BASE				*		1	
36		SL4030881SC		SCREW M3X8				*		4	
37		12258000		BUSH				*		1	
38		14148407		VERTICAL FEED SHAFT SPRING				*		2	
39	R	40006525	40010574	NEEDLE BAR THREAD GUIDE				*		1	1.00
40		SM4061255SP		SCREW M6 L=12				*		3	
41		SM6030500SN		SCREW M3 L=5				*		1	
42		SM6061802TP		SCREW M6 L=18				*		1	
43	R	B1229232000	RC0410415KP	SNAP RING				*		1	1.00

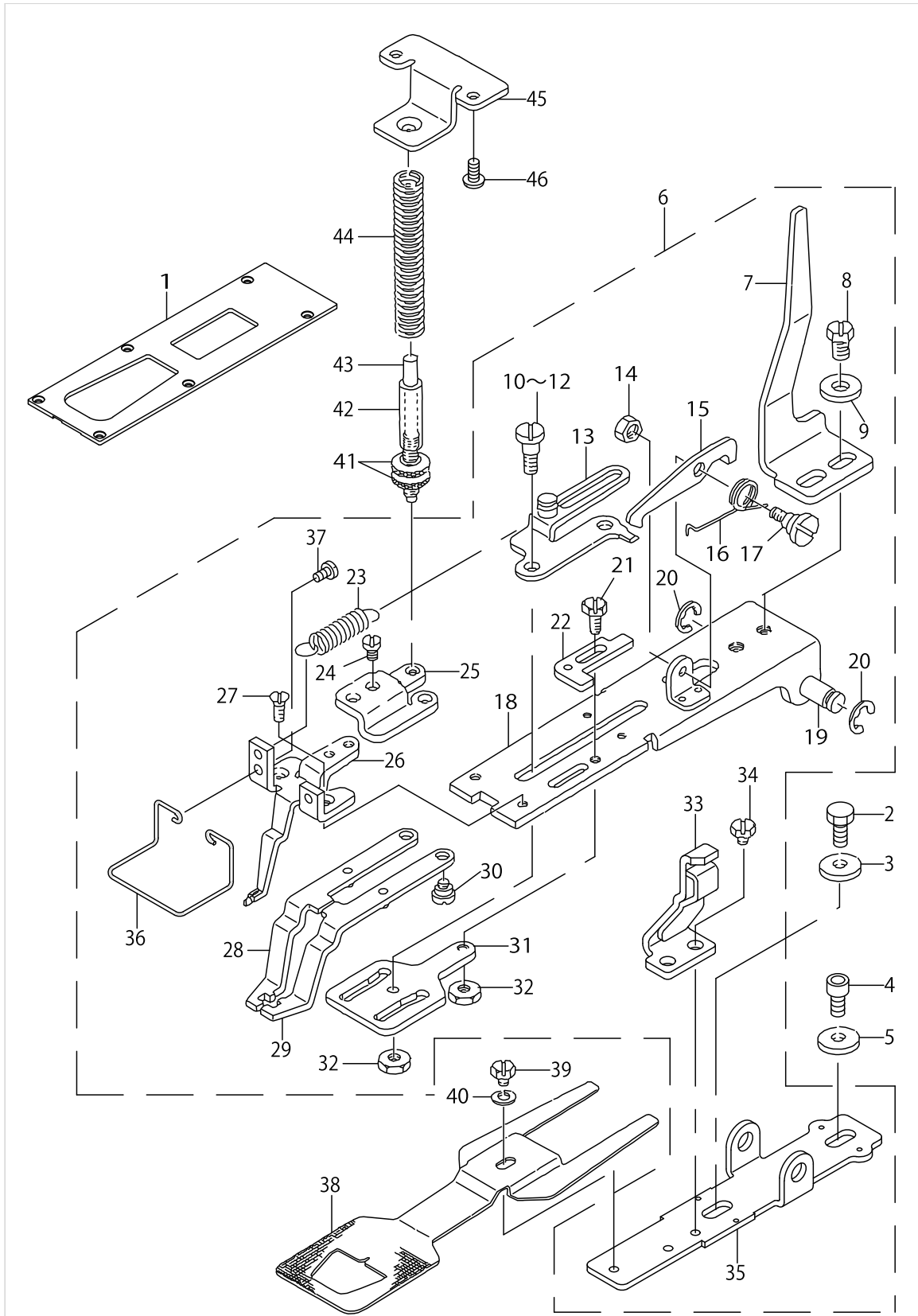
EXCLUSIVE PARTS FOR LK-1901AS (1)



EXCLUSIVE PARTS FOR LK-1901AS (1)

No.	Supply Code	Parts No.	Replacement	Parts name	Remarks	Choice	Step	Level	Cons	Qty	Rep. QTY
44		SD0640216TP		SHOULDER SCREW						1	
45		SM1040650TP		SCREW						4	
46		14142103		CONNECTING LINK GUIDE						1	
47		B1657506E00		SPRING						1	
48		13540604		DRIVING BAR B						1	
49		B302745000B		PIN						1	
50		SL6040892TN		BOLT						2	
51		PD02010000B		SPLIT PIN						1	
52		SL4030681SC		SCREW M3 L=6						2	
53		RC0410415KP		C-RING						2	
54		40006914		WORK CLAMP CONNECTING LINK						1	

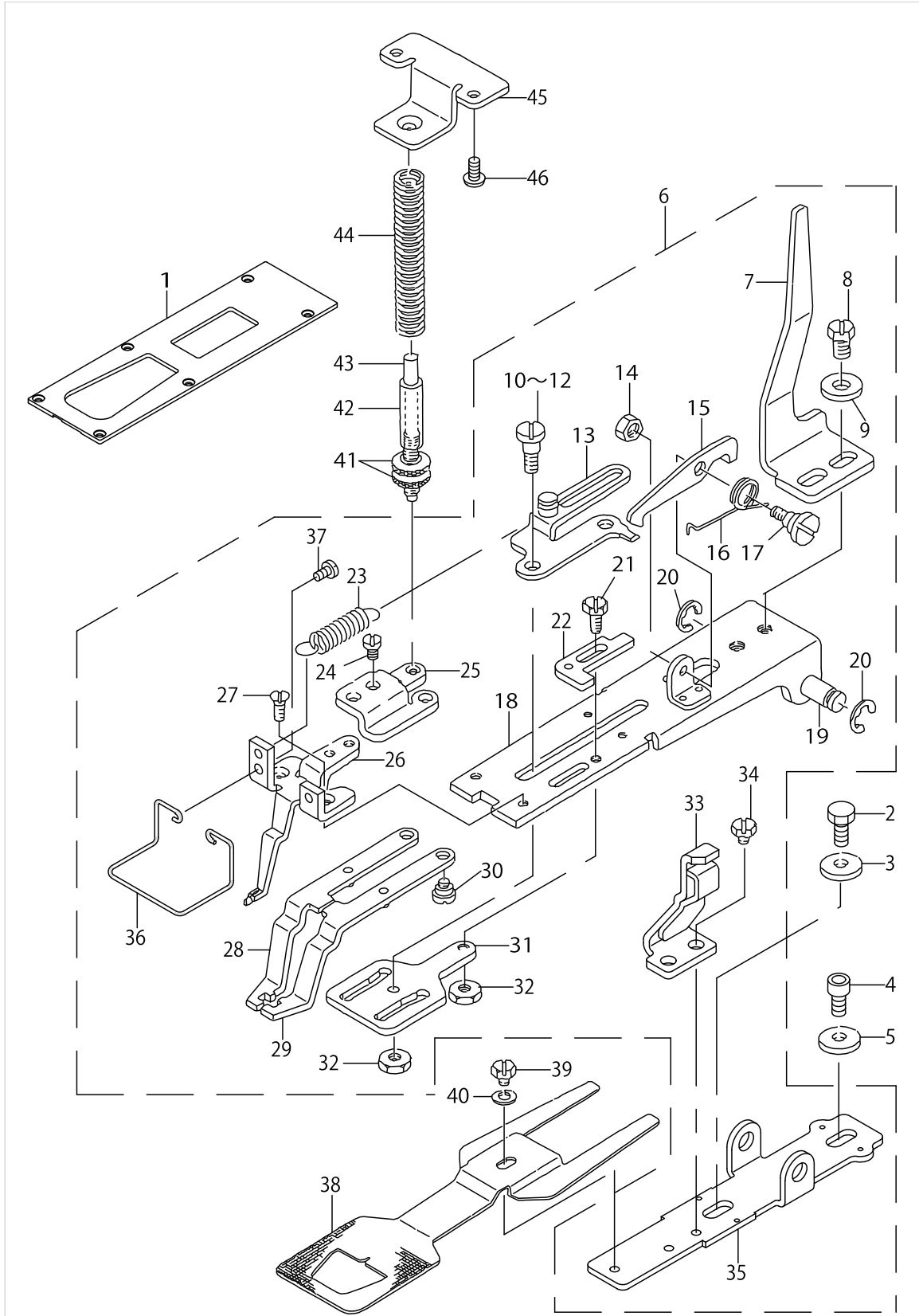
EXCLUSIVE PARTS FOR LK-1901AS (2)



EXCLUSIVE PARTS FOR LK-1901AS (2)

No.	Supply Code	Parts No.	Replacement	Parts name	Remarks	Choice	Step	Level	Cons	Qty	Rep. QTY
1		40006935		CROTH FEED PRESSER PLATE B						1	
2		SM9061403CP		SCREW M6 L=14						1	
3		WP0612516SD		WASHER 6.1X15.2X2.5						1	
4		SM6061202TP		SCREW M6 L=12						1	
5		WP0612516SD		WASHER 6.1X15.2X2.5						1	
6		14140255		WORK CLAMP FOOT BRACKET COMPL.						1	
7		13541404		WORK CLAMP FOOT LIFTING PLATE				*		1	
8		SS9151120CP		SCREW 15/64-28L=11				*		2	
9		WP0612516SD		WASHER 6.1X15.2X2.5				*		2	
10		D2545232D0A		HINGE SCREW	SELECTIVE PARTS			*		2	
11		D2545232D0B		HINGE SCREW	SELECTIVE PARTS			*		2	
12	R	D2545232D0C	D2545232D0A	HINGE SCREW	SELECTIVE PARTS			*		2	1.00
13		14141055		PULLING PLATE COMPL.				*		1	
14		NS6110530SP		NUT 11/64-40				*		1	
15		14141105		FIXING HOOK				*		1	
16		D2512232D00		TORSION SPRING				*		1	
17		D2511232D00		SCREW				*		1	
18		14140354		INSTALLING BASE COMPL.				*		1	
19		14141402		INSTALLING SHAFT				*		1	
20		RE0700000K0		E-RING 7				*		2	
21		SS9110920CP		SCREW 11/64-40 L=9				*		1	
22		14140909		ADJUSTING PLATE				*		1	
23		D2515232D00		TORSION SPRING				*		1	
24		SS7110510SP		SCREW 11/64-40 L=5				*		2	
25		13541107		WORK CLAMP FOOT SPRING HOLDER				*		1	
26		14140552		PICK-UP GUIDE COMPL.				*		1	
27		SS1110640TP		SCREW 11/64-40 L= 5.5				*		2	
28		D2520232DA0		WORK CLAMP FOOT(LEFT)ASM.				*		1	
29		D2521232DA0		WORK CLAMP FOOT(RIGHT)ASM.				*		1	
30		SD0550271TP		HINGE SCREW D= 5.50 H= 2.7				*		2	
31		14141204		PLATE CAM				*		1	
32		NS6120480SP		NUT 3/16-28				*		2	
33		14140750		PREVENTING PLATE COMPL.				*		1	
34		SS9110460CP		SCREW 11/64-40 L=4				*		2	
35		14140206		PICK-UP INSTALLING BASE				*		1	
36		14141501		FINGER GUARD				*		1	
37		SS7090610SP		SCREW 9/64-40 L=6				*		2	
38		13541503		FEED PLATE						1	
39		SS9110460CP		SCREW 11/64-40 L=4						1	
40		WP0501016SD		WASHER 5X10.5X1						1	
41		B3117352000		THREAD TENSION POST NUT						2	
42		D2527232D00		SLEEVE						1	
43		D2528232D00		SHAFT						1	
44		D2529232D00		PRESSER SPRING						1	
45		13541602		WORK CLAMP FOOT SPRING HOLDER						1	

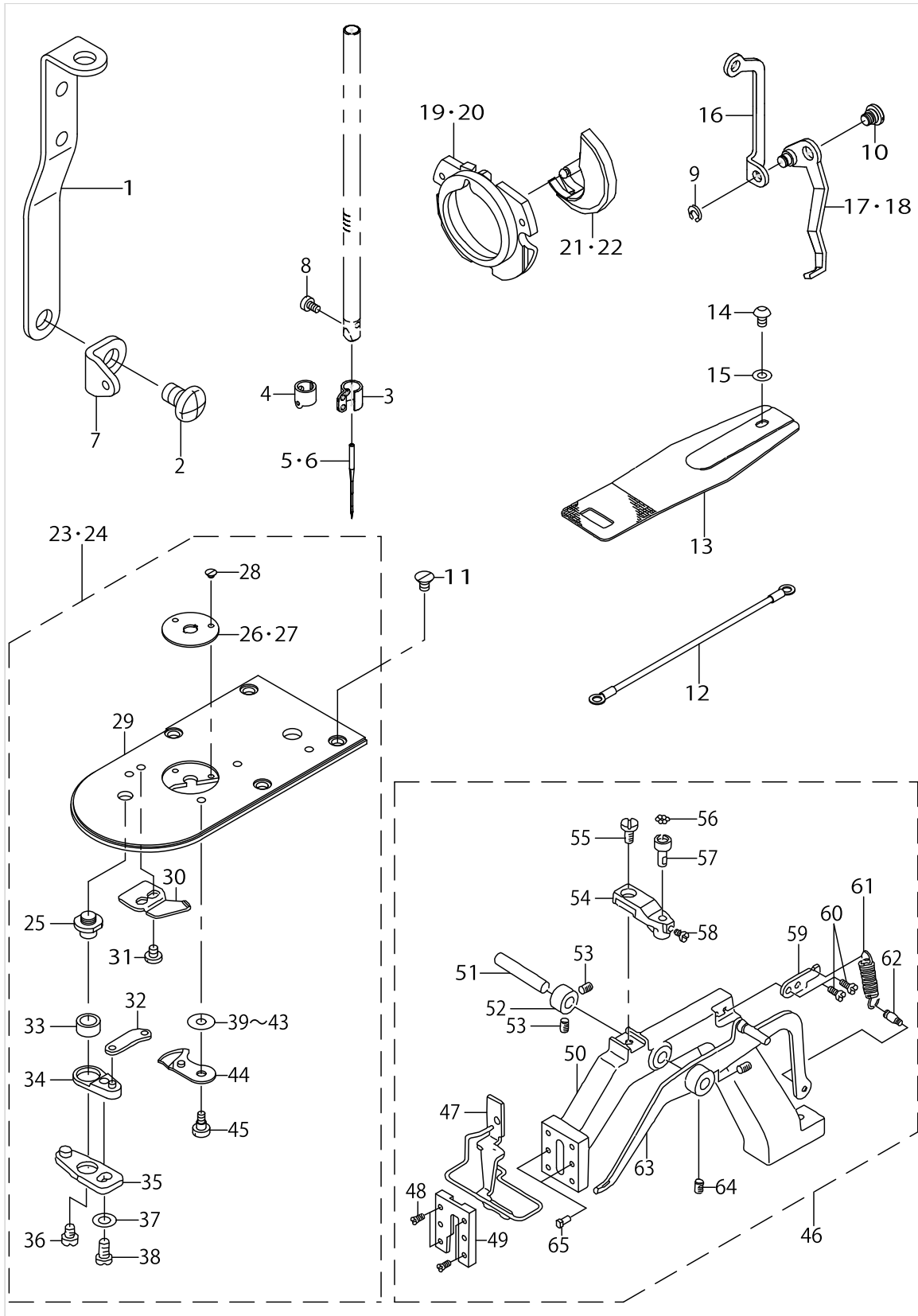
EXCLUSIVE PARTS FOR LK-1901AS (2)



EXCLUSIVE PARTS FOR LK-1901AS (2)

No.	Supply Code	Parts No.	Replacement	Parts name	Remarks	Choice	Step	Level	Cons	Qty	Rep. QTY
46		SM5040855SN		SCREW						2	

EXCLUSIVE PARTS FOR LK-1902AS,LK-1902AH (1)

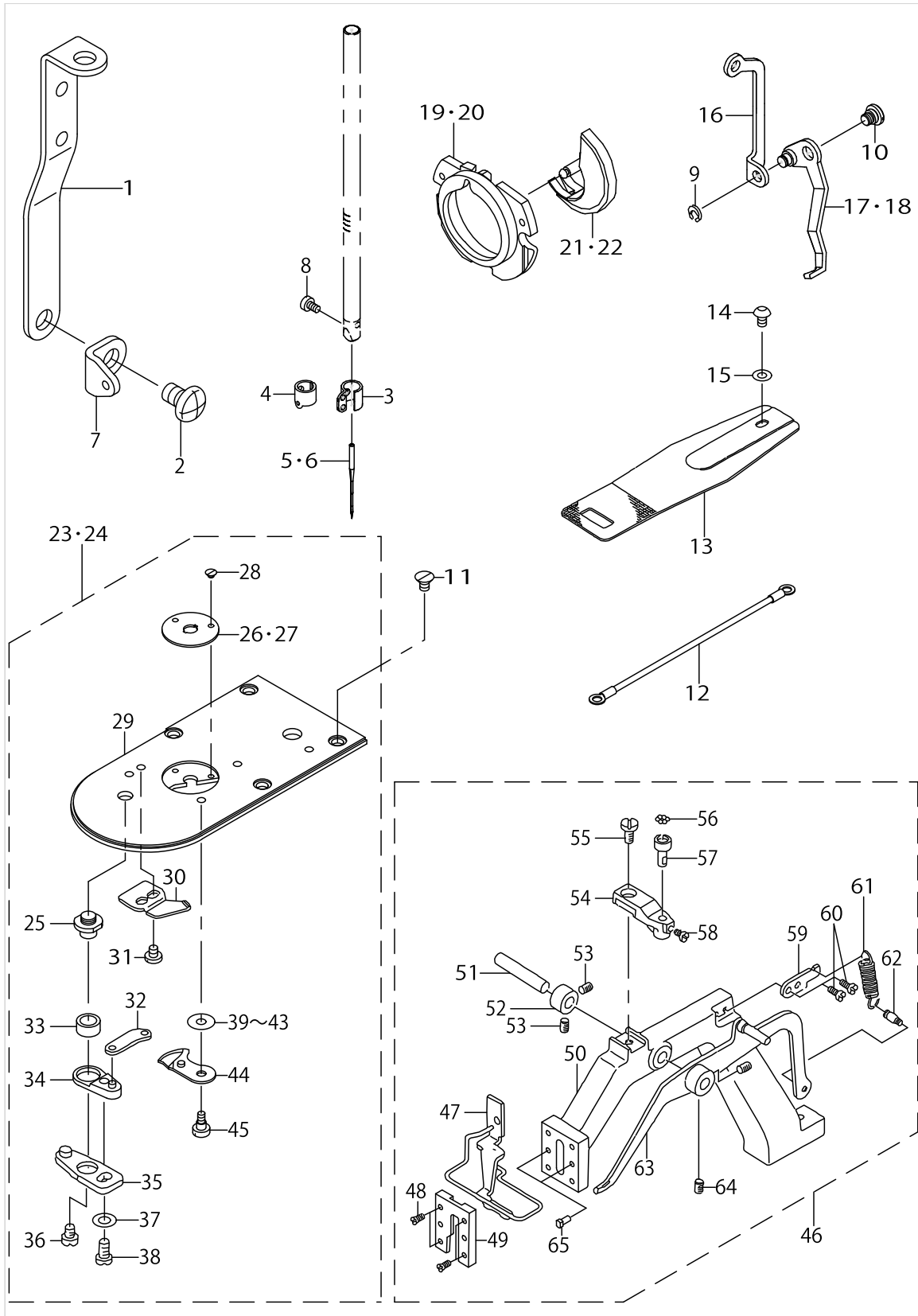


EXCLUSIVE PARTS FOR LK-1902AS,LK-1902AH (1)

No.	Supply Code	Parts No.	Replacement	Parts name	Remarks	Choice	Step	Level	Cons	Qty	Rep. QTY
1		B1114581000		THREAD GUIDE PLATE						1	
2		SM4061255SP		SCREW M6 L=12						1	
3	R	40006525	40010574	NEEDLE BAR THREAD GUIDE	FOR LK-1902AS					1	1.00
4		D1405L7AM00		NEEDLE BAR THREAD GUIDE	FOR LK-1902AH					1	
5		MDP500B1400		NEEDLE DPX5 #14	FOR LK-1902AS					1	
6		MDP170B2100		NEEDLE DPX17 #21	FOR LK-1902AH					1	
7	R	13786306	40010414	THREAD GUIDE NO.1						1	1.00
8		SM6030500SN		SCREW M3 L=5						1	
9	R	B1229232000	RC0410415KP	SNAP RING						1	1.00
10		SD0640216TP		SHOULDER SCREW						1	
11		SM1040650TP		SCREW						4	
12		40005712		EARTH CODE ASM.						1	
13		14143002		FEED PLATE						1	
14		SM3061052TP		SCREW M6 L=10						1	
15		WP0621016SD		WASHER 6.2X13X1						1	
16	R	40006677	40010458	WIPER CONNECTING PLATE						1	1.00
17	R	B21012800A0	26218859	WIPER ASM.	FOR LK-1902AS					1	1.00
18		D2101L7AMA0		WIPER ASM.	FOR LK-1902AH					1	
19		14103352		INNER HOOK PRESSER ASM., B	FOR LK-1902AS					1	
20		14103659		SHUTTLE RACE RING ASM.,C	FOR LK-1902AH					1	
21	R	40006580	400065800A0	SHUTTLE	FOR LK-1902AS	A				1	1.00
21	R	40006580	40110846	SHUTTLE	FOR LK-1902AS	B				1	1.00
22	R	40006581	40112995	SHUTTLE (H)	FOR LK-1902AH					1	1.00
23		40006722		NEEDLE PLATE ASM.,A	FOR LK-1902AS					1	
24		40006723		NEEDLE PLATE ASM.,H	FOR LK-1902AH					1	
25		B2417280000		THREAD CUTTER LEVER SHAFT				*		1	
26		B2426280000		NEEDLE HOLE GUIDE	FOR LK-1902AS			*		1	
27		14109607		NEEDLE HOLE GUIDE	FOR LK-1902AH			*		1	
28		SS1060210TP		SCREW 3/32-56 L=2.2				*		2	
29		40006721		NEEDLE PLATE				*		1	
30		B2424280000		FIXING KNIFE				*		1	
31		SS7090410SP		SCREW 9/64-40 L= 3.5				*		2	
32		B2418280000		MOVING KNIFE LINK				*		1	
33		B2416280000		THREAD CUTTING LEVER RING				*		1	
34		B24152800A0		THREAD CUTTER L- EVER ASM., SMAL				*		1	
35		B24142800A0		THREAD CUTTER L- EVER ASM., LARG				*		1	
36		SS6110430TP		SCREW 11/64-40 L= 4.0				*		1	
37		WP0450846SP		WASHER				*		1	
38		SS7110740TP		SCREW 11/64-40 L=7				*		1	
39		B242328000C		MOVING KNIFE WASHER C	SELECTIVE PARTS			*		1	
40		B242328000A		MOVING KNIFE WASHER A	SELECTIVE PARTS			*		1	
41		B242328000B		MOVING KNIFE WASHER B	SELECTIVE PARTS			*		1	
42		B242328000D		MOVING KNIFE WASHER D	SELECTIVE PARTS			*		1	
43		B242328000E		MOVING KNIFE WASHER E	SELECTIVE PARTS			*		1	

AMS210EN-
/7450,AMS-
210EN/X7450C
LK-1900A/-
1900AN, AB-1351

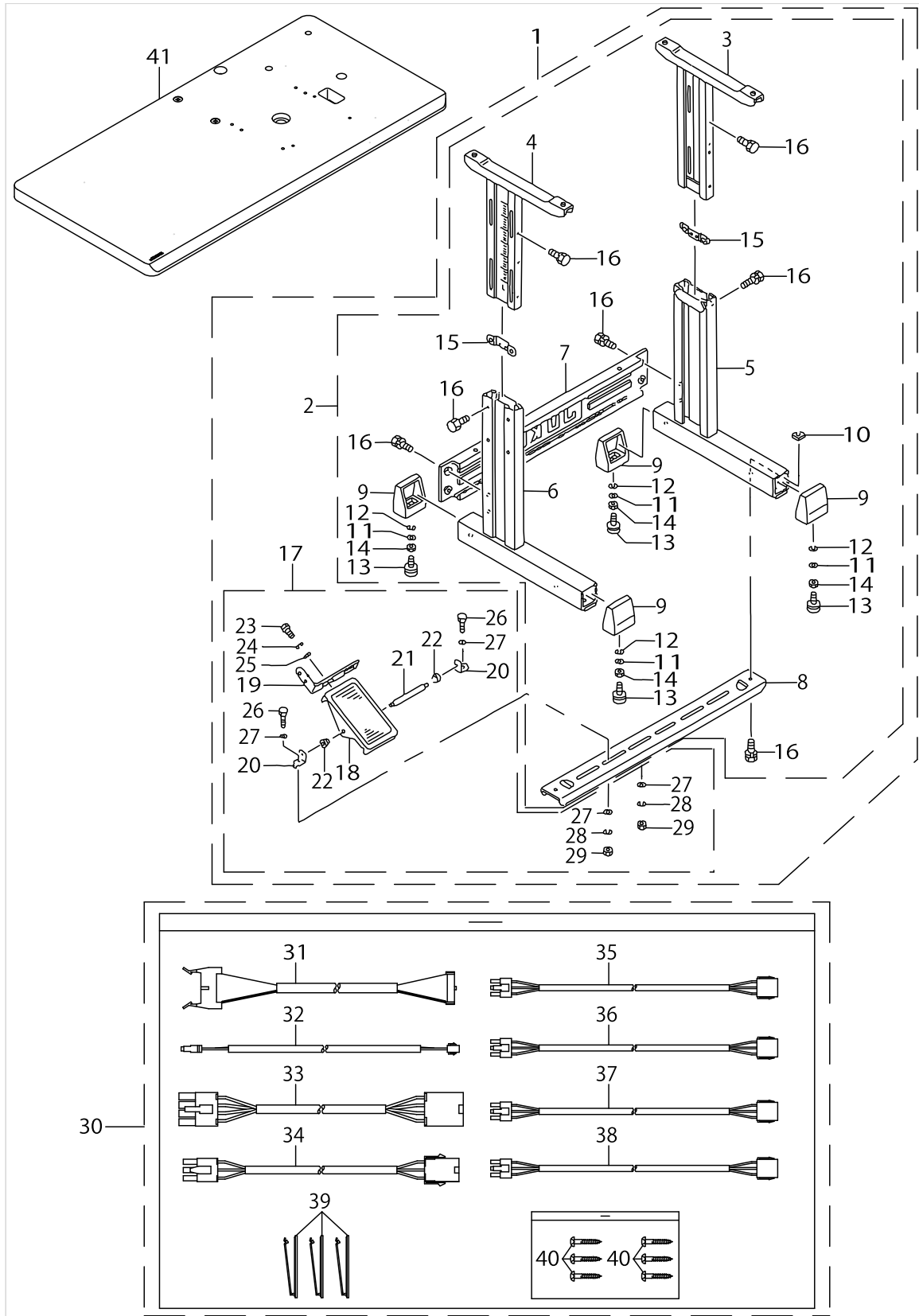
EXCLUSIVE PARTS FOR LK-1902AS,LK-1902AH (1)



EXCLUSIVE PARTS FOR LK-1902AS,LK-1902AH (1)

No.	Supply Code	Parts No.	Replacement	Parts name	Remarks	Choice	Step	Level	Cons	Qty	Rep. QTY
44		B24212800A0		MOVING KNIFE ASM.				*		1	
45		SD0500091TP		HINGE SCREW D= 5.0 H= 0.9				*		1	
46		13543764		CLOTH FEED BASE ASM.						1	
47		13544465		CLOTH PRESSER FOOT ASM.				*		1	
48		SS2110930SP		SCREW 11/64-40 L=8.7				*		4	
49		13544614		CLOTH FEED BASE COVER				*		1	
50		13543715		CLOTH FEED BASE				*		1	
51		B2539280000		STUD				*		1	
52		CS087101BSH		THRUST COLLAR A- SM. D=8.73 W=10				*		1	
53		SS8150822TP		SCREW 15/64-28 L=8				*		2	
54		13543806		BALL HOLDER				*		1	
55		SS7151210SP		SCREW15/64-28L=12				*		1	
56		B2549280000		WORK CLAMP FOOT MOUNTING BASE				*		7	
57	R	B2548280000	26224808	BALL RETAINER				*		1	1.00
58		SS7110740TP		SCREW 11/64-40 L=7				*		1	
59		13543905		SPRINGSUSPENSION				*		1	
60		SS6120940SP		SCREW 3/16-28 L=9				*		2	
61		13544705		SPRING				*		1	
62	R	B3413552000	26229302	SUSPENSION SCREW				*		1	1.00
63		13544051		LIFTING LEVER ASM.				*		1	
64		SS8150822TP		SCREW 15/64-28 L=8				*		2	
65		B1816280000		GUIDE PIN				*		2	

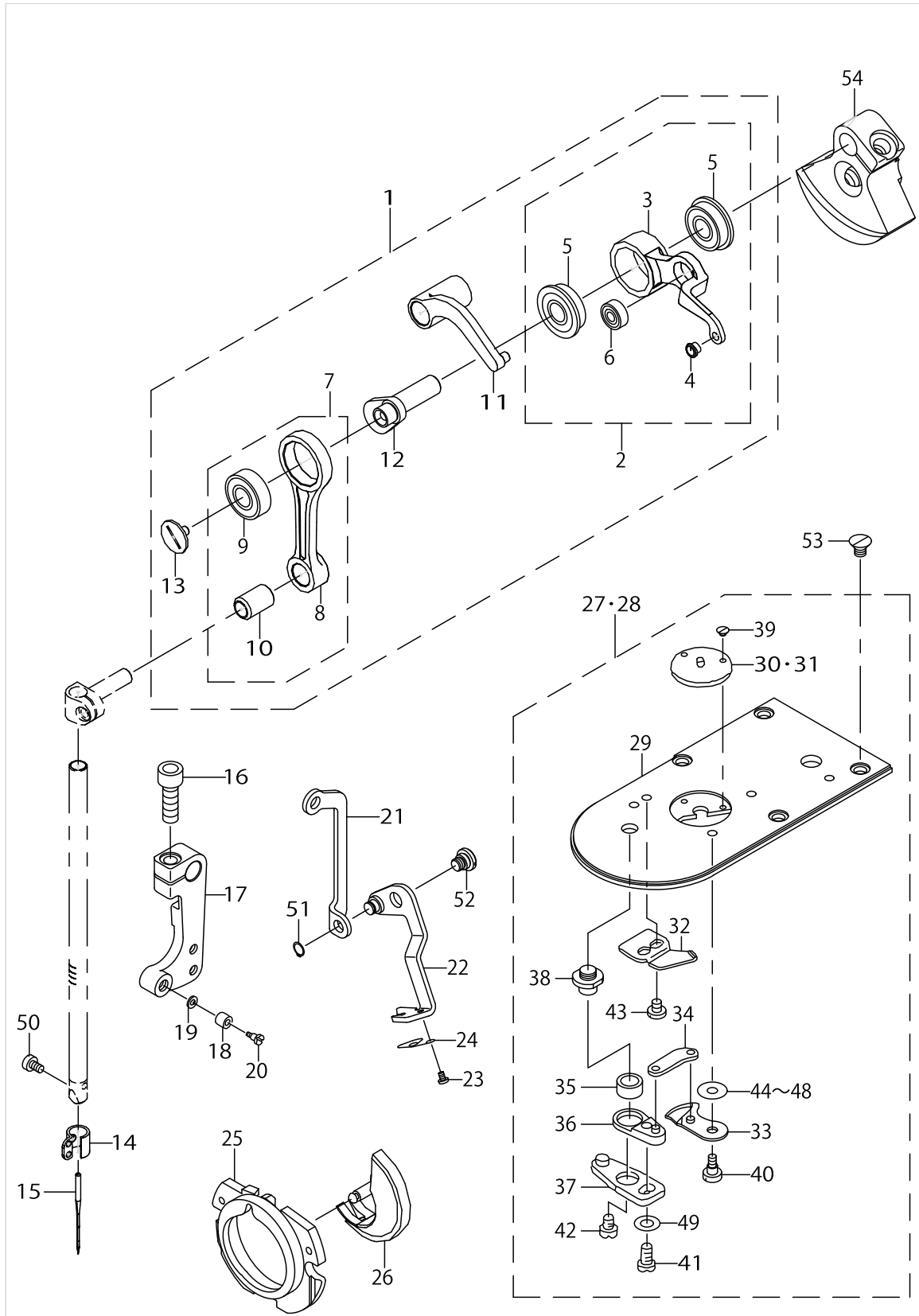
EXCLUSIVE PARTS FOR LK-1902AS,LK-1902AH (2)(TABLE STAND COMPONENTS/JT-K43)



EXCLUSIVE PARTS FOR LK-1902AS,LK-1902AH (2)(TABLE STAND COMPONENTS/JT-K43)

No.	Supply Code	Parts No.	Replacement	Parts name	Remarks	Choice	Step	Level	Cons	Qty	Rep. QTY
1	D	13508056		T-STAND COMPL.						1	
2	R	11157559	11157567	T-STAND ASM.				*		1	1.00
3		11157658		STAND UPPER, RIGHT				*		1	
4		11157757		STAND UPPER, LEFT				*		1	
5	D	11157955		STUD ASM., RIGHT				*		1	
6	D	11158052		STRUT JUNCTION (LEFT)				*		1	
7	D	11158300		STAND SIDE SUPPORT				*		1	
8		11158409		STAND SIDE SUPPORT				*		1	
9		11158607		RUBBER CAP				*		4	
10		17007402		NUT				*		2	
11		WP1302501SE		WASHER M12				*		4	
12		WS1253010KN		SPRING WASHER 12.5X21.5X3				*		4	
13		B81085550A0		ADJUSTING SCREW ASM. WITH CAP				*		4	
14		NM6120003SE		NUT M12				*		4	
15		11158508		PLATE				*		2	
16		SL9082091SE		WASHER HEXAGONAL BOLT				*		12	
17		13817754		Z-STAND PEDAL ASM.				*		1	
18		GPF060600A0		PEDAL ASM.				*		1	
19		GPF06080000		PEDAL ADJUSTING PLATE				*		1	
20		11159001		PEDAL SHAFT BRACKET				*		2	
21		B8153771000		PEDAL CONNECTING ROD				*		1	
22		D8113555B00		PEDAL BUSHING				*		2	
23		SM9061203SE		SCREW M6 L=12				*		2	
24		WP0671016SE		WASHER 6.7X13X1				*		2	
25		WS0621210KR		SPRING WASHER 6.2X11.4X1.2				*		2	
26		SM9082023SE		SCREW M8 L=20				*		2	
27		WP0871602SE		WASHER 8.7X18X1.6				*		4	
28		WS0861410KR		SPRING WASHER 8.6X15X1.4				*		2	
29		NM6080721SE		NUT M8				*		2	
30		40005709		RELAY CODE ASM.						1	
31		40005739		INT PCB CODE ASM.				*		1	
32		40005740		AC CODE ASM.				*		1	
33		40005711		SERVO MOTOR P CODE ASM.				*		1	
34		40005710		SERVO MOTOR S CODE ASM.				*		1	
35		40005735		X MOTOR CODE ASM.				*		1	
36		40005736		Y MOTOR CODE ASM.				*		1	
37		40005737		P MOTOR CODE ASM.				*		1	
38		40005738		T MOTOR CODE ASM.				*		1	
39		M964051000A		CABLE CLIP				*		3	
40		SK3382001SE		SCREW D=3.8 L=20				*		6	
41		40006887		TABLE B						1	

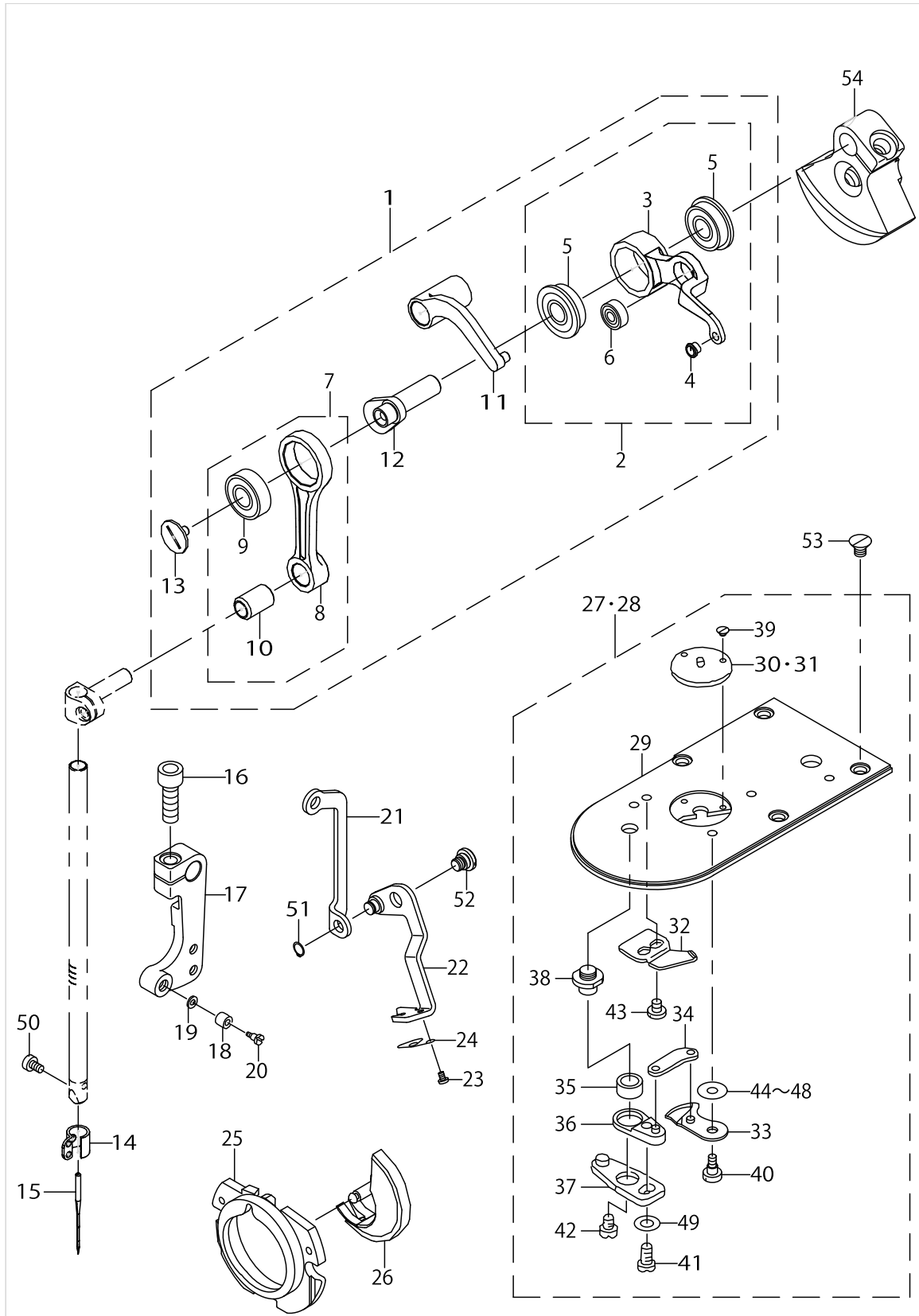
EXCLUSIVE PARTS FOR LK-1903AS-301,LK-1903AS-302 (1)



EXCLUSIVE PARTS FOR LK-1903AS-301,LK-1903AS-302 (1)

No.	Supply Code	Parts No.	Replacement	Parts name	Remarks	Choice	Step	Level	Cons	Qty	Rep. QTY
1		40006923		THREAD TAKE UP B COMPL.						1	
2	R	40006924	40006923	THREAD TAKE UP LEVER B ASM.				*		1	1.00
3	R	40006925	40006923	THREAD TAKE UP LEVER B				*		1	1.00
4		B1908505000		THREAD PASS BUSH				*		1	
5		SB108002200		BEARING				*		2	
6		SB104001600		BEARING				*		1	
7		40006534		NEEDLE BAR CRANK ROD ASM.				*		1	
8	R	40006535	40006534	NEEDLE BAR CRANK ROD				*		1	1.00
9		SB108002300		BEARING				*		1	
10	R	22891006	22890958	NEEDLE BAR CRANK ROD BUSH		A	DDL-5700N	*		1	1.00
10	R	22891006	23622251	NEEDLE BAR CRANK ROD BUSH		B	DDL-9000,- DP-2100,DLN-9010	*		1	1.00
10	R	22891006	40078106	NEEDLE BAR CRANK ROD BUSH		C	AMS- /IP-- 420,AMS-220EN	*		1	1.00
10	R	22891006	40006534	NEEDLE BAR CRANK ROD BUSH		D	LK- ,AMS-- /IP-410,A- MS-210E,AB-1351	*		1	1.00
11		40006532		THREAD TAKE UP CRANK				*		1	
12	R	40006926	40006923	NEEDLERODCRANKB				*		1	1.00
13		B1903552000		LEFT SCREW				*		1	
14	R	40006525	40010574	NEEDLE BAR THREAD GUIDE						1	1.00
15		MDP170B1400		NEEDLE DPX17 #14						1	
16		SM6061802TP		SCREW M6 L=18						1	
17		40011949		CONNECTING ARM B						1	
18	R	B2619372000	26028803	STOP MOTION TRI- PPING LEVER CAM						1	1.00
19		B185351200E		HOOK SHAFT WASHER						1	
20		SD0791271SP		HINGE SCREW D= 7.94 H=12.7						1	
21		40006937		WIPER CONNECTING PLATE B						1	
22		40033047		WIPER ASM.						1	
23		SS5060310SP		SCREW 3/32-56 L=2.8						2	
24		40009860		WIPER THREAD CATCH SPRING						1	
25		14103352		INNER HOOK PRESSER ASM., B						1	
26	R	40006580	40006580A0	SHUTTLE		A	AMS210EN- /7450,AMS- 210EN/X7450C			1	1.00
26	R	40006580	40110846	SHUTTLE		B	LK-1900A/- 1900AN, AB-1351			1	1.00
27		40006725		NEEDLE PLATE ASM.,M	FOR LK-19- 03AS-301					1	
28		40006726		NEEDLE PLATE ASM.,K	FOR LK-19- 03AS-302					1	
29		40006721		NEEDLE PLATE				*		1	
30		MAZ15801000		GUIDE	FOR LK-19- 03AS-301			*		1	
31		MAZ15601000		GUIDE	FOR LK-19- 03AS-302			*		1	
32		B2424280000		FIXING KNIFE				*		1	
33		B24212800A0		MOVING KNIFE ASM.				*		1	
34		B2418280000		MOVING KNIFE LINK				*		1	
35		B2416280000		THREAD CUTTING LEVER RING				*		1	
36		B24152800A0		THREAD CUTTER L- EVER ASM., SMAL				*		1	
37		B24142800A0		THREAD CUTTER L- EVER ASM., LARG				*		1	

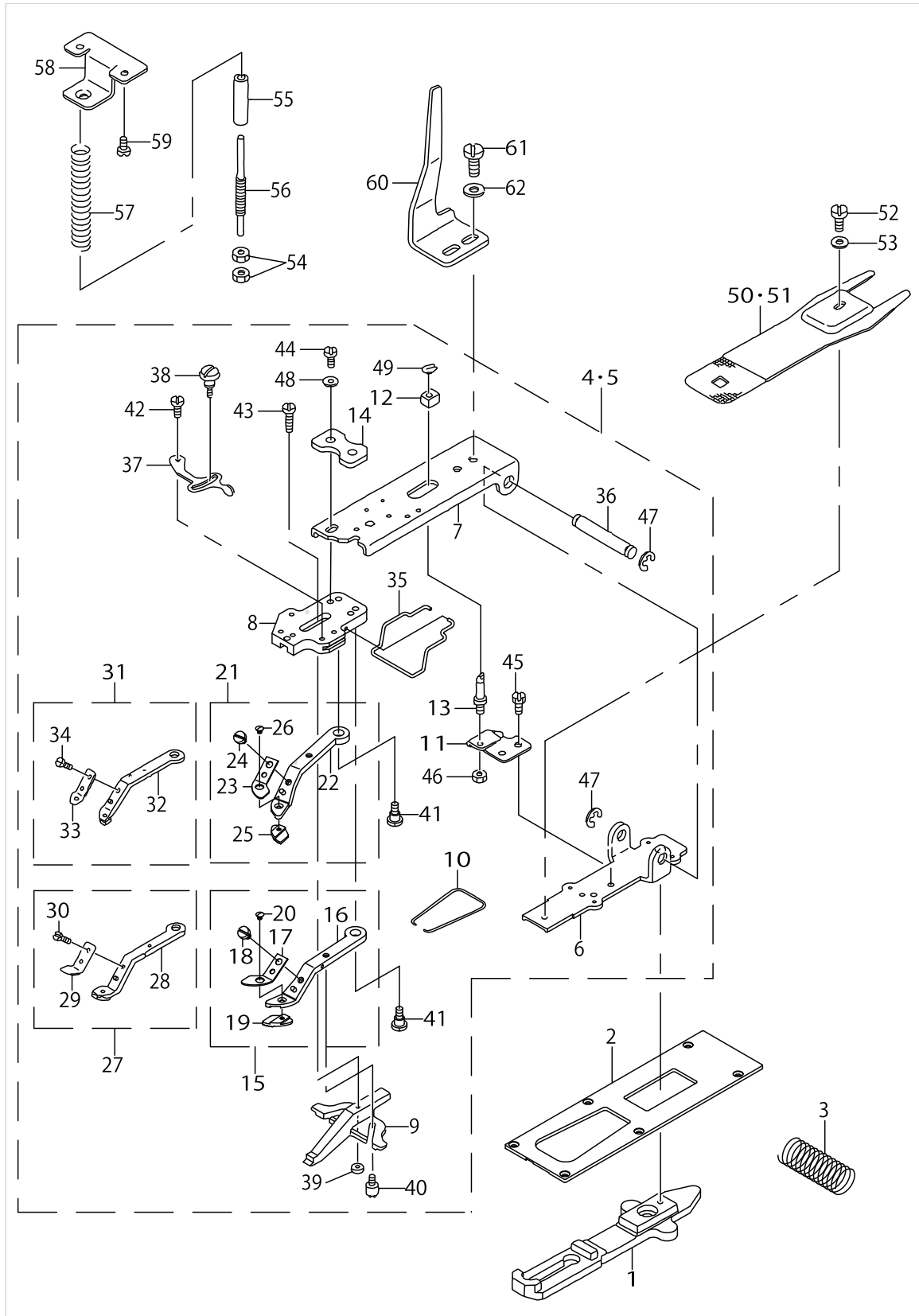
EXCLUSIVE PARTS FOR LK-1903AS-301,LK-1903AS-302 (1)



EXCLUSIVE PARTS FOR LK-1903AS-301,LK-1903AS-302 (1)

No.	Supply Code	Parts No.	Replacement	Parts name	Remarks	Choice	Step	Level	Cons	Qty	Rep. QTY
38		B2417280000		THREAD CUTTER LEVER SHAFT				*		1	
39		SS1060210TP		SCREW 3/32-56 L=2.2				*		2	
40		SD0500091TP		HINGE SCREW D= 5.0 H= 0.9				*		1	
41		SS7110740TP		SCREW 11/64-40 L=7				*		1	
42		SS6110430TP		SCREW 11/64-40 L= 4.0				*		1	
43		SS7090410SP		SCREW 9/64-40 L= 3.5				*		2	
44		B242328000A		MOVING KNIFE WASHER A	SELECTIVE PARTS			*		1	
45		B242328000B		MOVING KNIFE WASHER B	SELECTIVE PARTS			*		1	
46		B242328000C		MOVING KNIFE WASHER C	SELECTIVE PARTS			*		1	
47		B242328000D		MOVING KNIFE WASHER D	SELECTIVE PARTS			*		1	
48		B242328000E		MOVING KNIFE WASHER E	SELECTIVE PARTS			*		1	
49		WP0450846SP		WASHER				*		1	
50		SM6030500SN		SCREW M3 L=5						1	
51		RC0470611KP		RETAINING RING 4.7						1	
52		SD0640216TP		SHOULDER SCREW						1	
53		SM1040650TP		SCREW						4	
54	R	40010429	40010428	COUNTER_WEIGHT_B						1	1.00

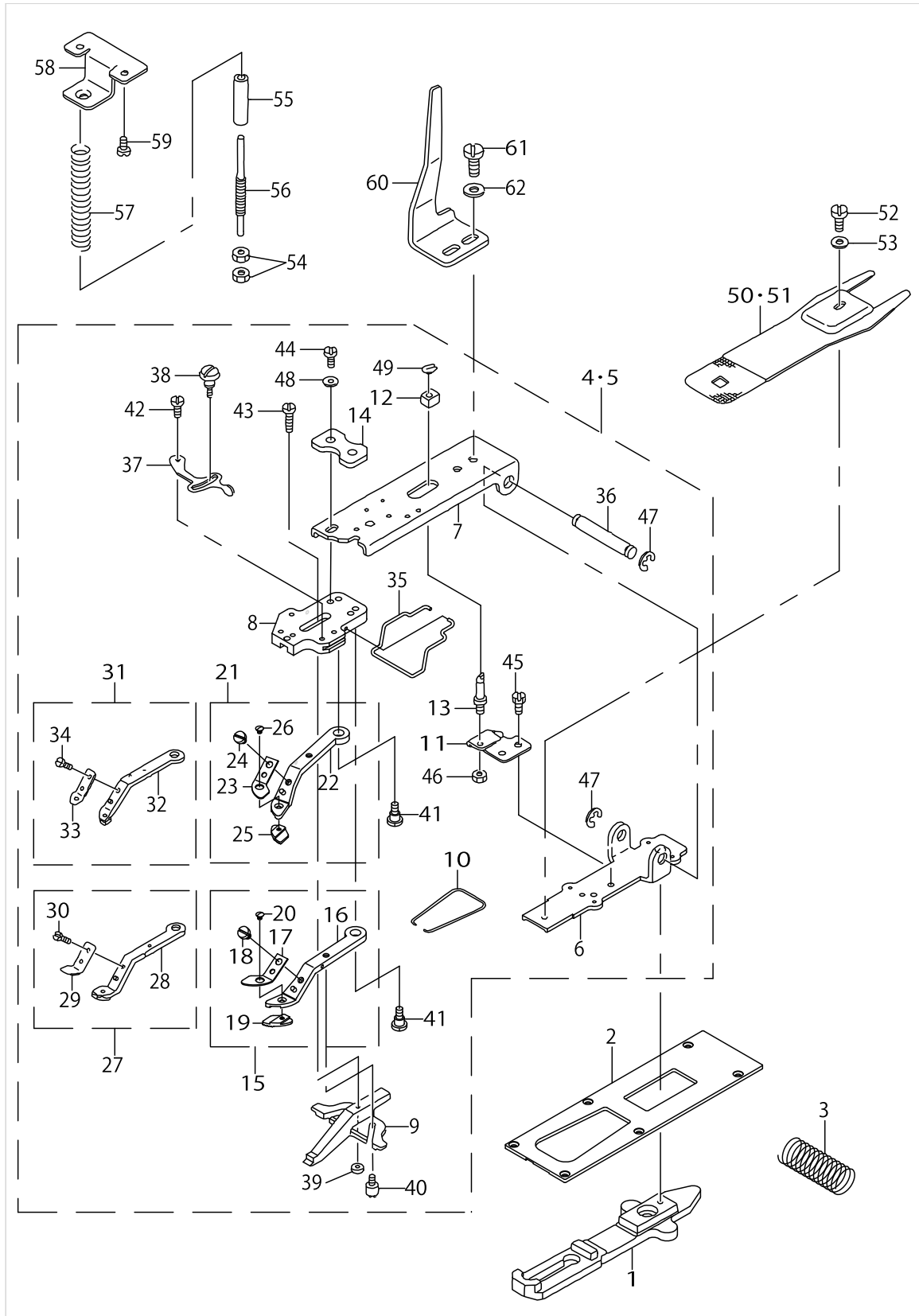
EXCLUSIVE PARTS FOR LK-1903AS-301,LK-1903AS-302 (2)



EXCLUSIVE PARTS FOR LK-1903AS-301,LK-1903AS-302 (2)

No.	Supply Code	Parts No.	Replacement	Parts name	Remarks	Choice	Step	Level	Cons	Qty	Rep. QTY
1		14145106		CLOTH FEED PLATE						1	
2		40006935		CROTH FEED PRESSER PLATE B						1	
3		14148407		VERTICAL FEED SHAFT SPRING						1	
4		14145858		VERY SMALL CLAMP MECHANISM ASM	FOR LK-19-03AS-301					1	
5		14145650		MEDIUM CLAMP MECHANISM ASM.	FOR LK-19-03AS-302					1	
6		14146104		PICK-UP INSTALLING BASE				*		1	
7		14146203		PICK-UP FOOT INSTALLING BASE				*		1	
8		14146302		PICK-UP FOOT INSTALLING BASE				*		1	
9	R	B2552372000	26025908	BUTTON CLAMP SLIDE				*		1	1.00
10		MAZ15513000		BUTTON CLAMP JAW LEVER SPRING				*		1	
11		MAZ15514000		SUPPORT PLATE				*		1	
12		MAZ15515000		SLIDE BLOCK				*		1	
13		13540901		STATIONING BLOCK SHAFT				*		1	
14		14146401		PRESSER PLATE				*		1	
15		14149058		MIDDLE CLAMP JAW LEVER ASM.,R	FOR LK-19-03AS-302			*		1	
16	R	MAZ15507000	MAZ155070B0	SMALL CLAMP JAW LEVER ASM.,L				*		1	1.00
17		MAZ15509000		SPRING, RIGHT				*		1	
18		SS7090410SP		SCREW 9/64-40 L=3.5				*		1	
19		14149009		PLATE L, R				*		1	
20		SS2060310SP		SCREW 3/32-56 L=3				*		1	
21		14149157		MIDDLE CLAMP JAW LEVER ASM.,L	FOR LK-19-03AS-302			*		1	
22	R	MAZ15508000	MAZ155080B0	SMALL CLAMP JAW LEVER, L				*		1	1.00
23		MAZ15510000		SPRING, LEFT				*		1	
24		SS7090410SP		SCREW 9/64-40 L=3.5				*		1	
25		14149108		PLATE L, L				*		1	
26		SS2060310SP		SCREW 3/32-56 L=3				*		1	
27		MAZ158070BB		EXTRA SMALL CLAMP LEVER ASM.,L	FOR LK-19-03AS-301			*		1	
28	R	MAZ158070AB	MAZ158070BB	EXTRA SMALL CLAMP LEVER ASM.,L				*		1	1.00
29		MAZ15809000		SPRING,RIGHT				*		1	
30		SS7090410SP		SCREW 9/64-40 L=3.5				*		1	
31		MAZ158080BB		EXTRA SMALL CLAMP LEVER ASM.,L	FOR LK-19-03AS-301			*		1	
32	R	MAZ158080AB	MAZ158080BB	EXTRA SMALL CLAMP LEVER ASM.,L				*		1	1.00
33		MAZ15810000		SPRING,LEFT				*		1	
34		SS7090410SP		SCREW 9/64-40 L=3.5				*		1	
35		D3130M1YC00		FINGER GUARD				*		1	
36		14141402		INSTALLING SHAFT				*		1	
37		B2548372000		SNAP FASTENER C-LAMP STOP LEVER				*		1	
38		B2549372000		CLAMP SCREW A				*		1	
39		B2553372000		NUT				*		1	
40		B2560372000		BUTTON CLAMP STOP PIN				*		2	
41		SD0640391TP		HINGE SCREW D= 6.35 H= 3.9				*		2	
42		SD0550181SP		HINGE SCREW D= 5.50 H= 1.8				*		1	
43		SD0550301SP		HINGE SCREW D=5.5 H=3				*		1	

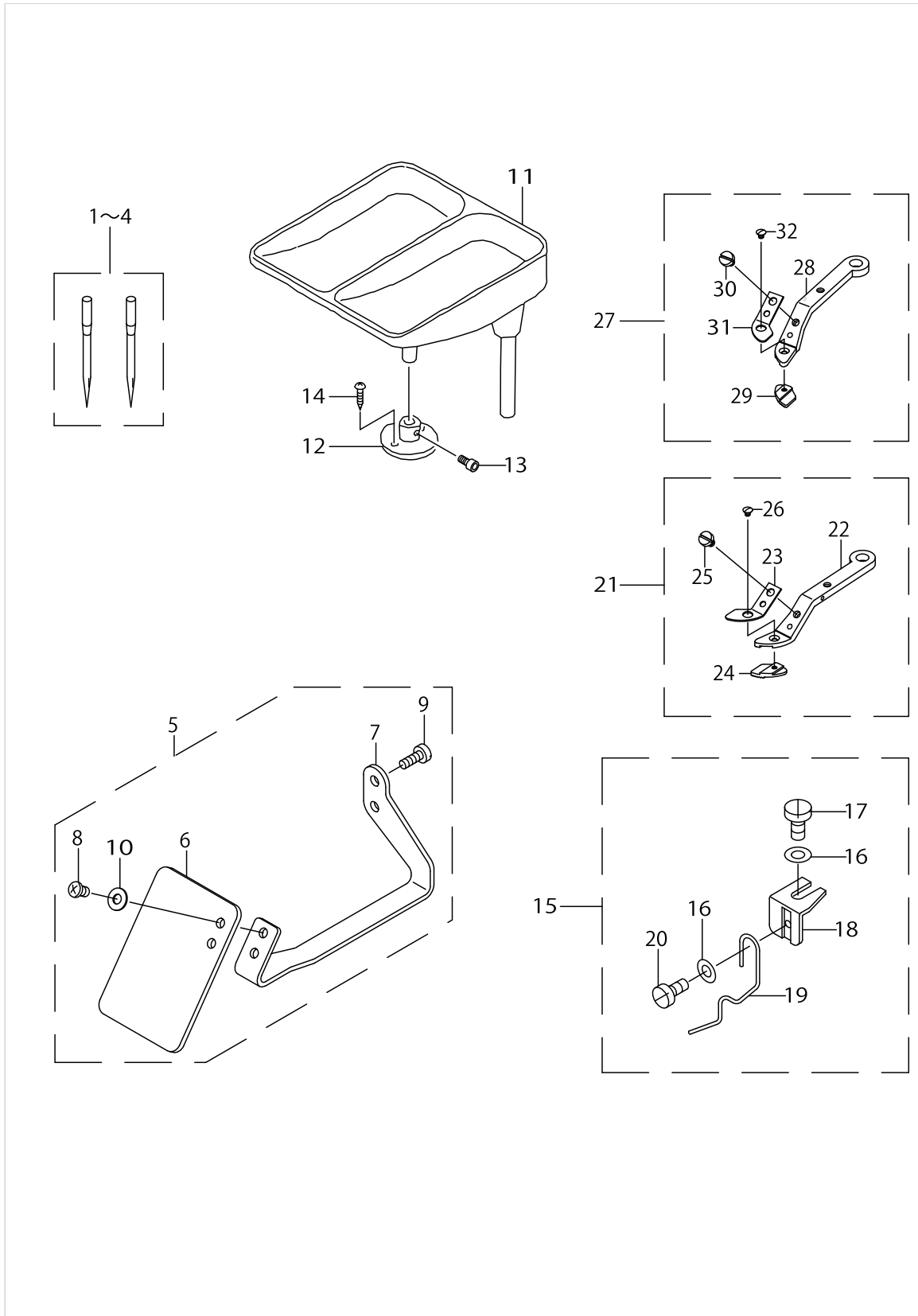
EXCLUSIVE PARTS FOR LK-1903AS-301,LK-1903AS-302 (2)



EXCLUSIVE PARTS FOR LK-1903AS-301,LK-1903AS-302 (2)

No.	Supply Code	Parts No.	Replacement	Parts name	Remarks	Choice	Step	Level	Cons	Qty	Rep. QTY
44		SS9621413SP		SCREW 3/16-32 L=13.5				*		2	
45		SS9110460CP		SCREW 11/64-40 L=4				*		2	
46		NS6150310SP		NUT 15/64-28				*		1	
47		RE0700000K0		E-RING 7				*		2	
48		WP0501016SD		WASHER 5X10.5X1				*		2	
49		D2548232D00		SNAP RING, FOR CO- NNECTING ROD				*		1	
50		MAZ15502000		PRESSURE PLATE	FOR LK-19- 03AS-301					1	
51		MAZ15602000		PRESSURE PLATE	FOR LK-19- 03AS-302					1	
52		SS9110543CP		SCREW 11/64-40 L=5.3						1	
53		WP0501016SD		WASHER 5X10.5X1						1	
54	R	B3125012000	22928808	THREAD TENSION NUT						2	1.00
55		D2527232D00		SLEEVE						1	
56		14146906		ADJUSTING SHAFT						1	
57		13812003		PRESSURE SPRING						1	
58		13811906		ACCEPT PLATE, UPPER						1	
59		SM5040855SN		SCREW						2	
60		MAZ15516000		MOVING PLATE						1	
61		SS9151120CP		SCREW 15/64-28 L=11						2	
62		WP0612516SD		WASHER 6.1X15.2X2.5						2	

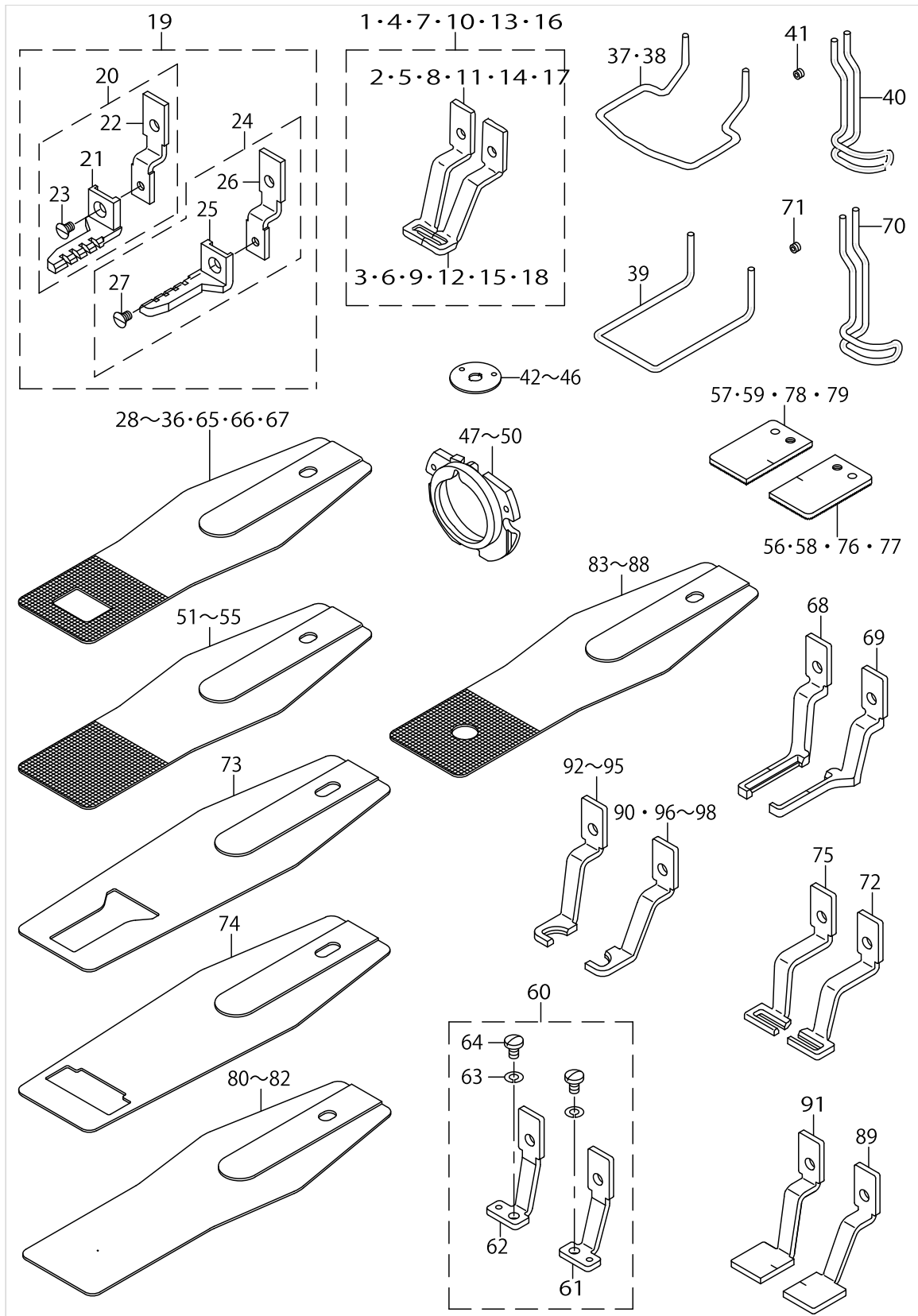
ACCESSORIES PARTS FOR LK-1900A SUBCLASSES



ACCESSORIES PARTS FOR LK-1900A SUBCLASSES

No.	Supply Code	Parts No.	Replacement	Parts name	Remarks	Choice	Step	Level	Cons	Qty	Rep. QTY
1	R	MDP500B1402	MDP500B1400	NEEDLE DPX5#14-2	FOR LK-19-01AS,LK-1-902AS, USE IN JAPAN					1	1.00
2	D	MDP500B1602		NEEDLE DPX5#16-2	FOR LK-19-01AS,LK-1-902AS (EXCEPT USE IN JAPAN)					1	
3		MDP170B2102		NEEDLE DPX17#21-2	FOR LK-1902AH					1	
4	R	MDP170B1402	MDP170B1400	NEEDLE DPX17#14-2	FOR LK-19-03AS-301,-LK-1903AS-302					1	1.00
5		40006485		SAFETYPLATEASMB	FOR LK-19-02AS,LK-1902AH					1	
6		13889407		SAFETY PLATE				*		1	
7		40052810		SAFETY PLATE INSTALLING BASE				*		1	
8		SM4040655SP		SCREW M4 L=6				*		2	
9		SM6041150TP		SCREW				*		2	
10		WP0450801SD		WASHER 4.5X10X0.8				*		2	
11		17848458		BUTTON TRAY ASM.	FOR LK-19-03AS-301,-LK-1903AS-302					1	
12		40033635		BUTTON TRAY BASE	FOR LK-19-03AS-301,-LK-1903AS-302					1	
13		SM6061202TP		SCREW M6 L=12	FOR LK-19-03AS-301,-LK-1903AS-302					1	
14		SK3412001SE		WOOD SCREW D=4.1 L=20	FOR LK-19-03AS-301,-LK-1903AS-302					2	
15		14146757		BUTTON RISING BAR ASM.	FOR LK-19-03AS-301,-LK-1903AS-302					1	
16		WP0370316SD		WASHER 3.7X8X0.3				*		2	
17		SS9090813TP		SCREW 9/64-40 L=8				*		1	
18		14146807		INSTALLING BASE				*		1	
19		14146708		BUTTON RISING BAR				*		1	
20		SS6080340SP		SCREW 1/8-44 L=2.9				*		1	
21		14148852		SMALL CLAMP JAW LEVER ASM.,R	FOR LK-19-03AS-301					1	
22	R	MAZ15507000	MAZ155070B0	SMALL CLAMP JAW LEVER ASM.,L				*		1	1.00
23		MAZ15509000		SPRING, RIGHT				*		1	
24	R	14148803	14148852	PLATE K, R				*		1	1.00
25		SS7090410SP		SCREW 9/64-40 L=3.5				*		1	
26		SS2060310SP		SCREW 3/32-56 L=3				*		1	
27		14148951		SMALL CLAMP JAW LEVER ASM.,L	FOR LK-19-03AS-301					1	
28	R	MAZ15508000	MAZ155080B0	SMALL CLAMP JAW LEVER, L				*		1	1.00
29	R	14148902	14148951	PLATE K, L				*		1	1.00
30		SS7090410SP		SCREW 9/64-40 L=3.5				*		1	
31		MAZ15510000		SPRING, LEFT				*		1	
32		SS2060310SP		SCREW 3/32-56 L=3				*		1	

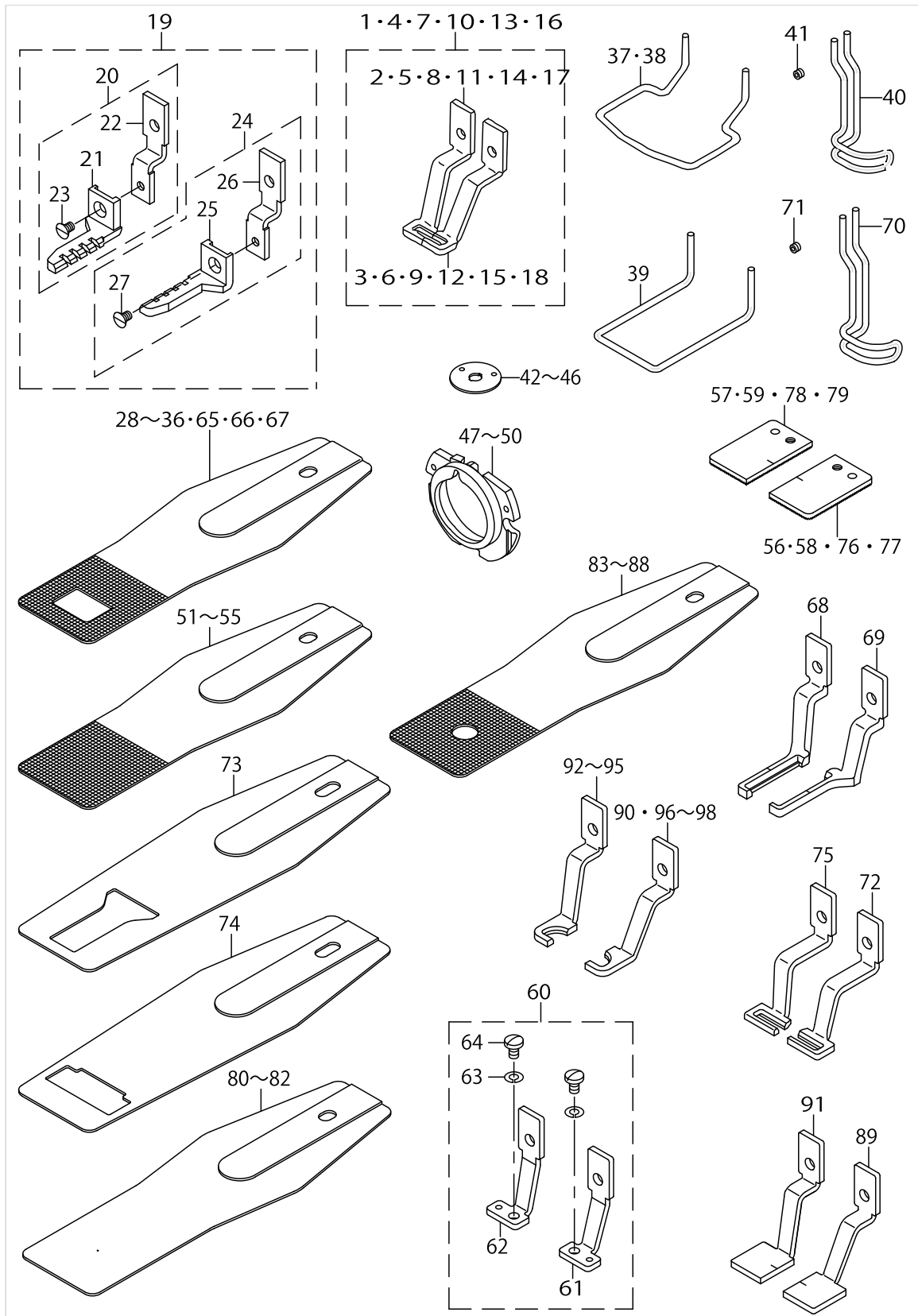
OPTION COMPONENTS (1)



OPTION COMPONENTS (1)

No.	Supply Code	Parts No.	Replacement	Parts name	Remarks	Choice	Step	Level	Cons	Qty	Rep. QTY
1		13518659		WORK CLAMP FOOT ASM.						1	
2		13518600		WORK CLAMP FOOT, RIGHT				*		1	
3		13518709		WORK CLAMP FOOT, LEFT				*		1	
4		13548557		WORK CLAMP FOOT ASM.						1	
5		13548508		WORK CLAMP FOOT. RIGHT				*		1	
6		13548607		WORK CLAMP FOOT. LEFT				*		1	
7		13548151		CLOTH PRESSER FOOT ASM.						1	
8		13548102		WORK CLAMR FOOT. RIGHT				*		1	
9		13548201		WORK CLAMR FOOT LEFT				*		1	
10		13542451		WORK CLAMP FOOT ASM.						1	
11		13542402		WORK CLAMP FOOT, RIGHT				*		1	
12		13542501		WORK CLAMP FOOT, LEFT				*		1	
13		13542964		PRESSER ASM.						1	
14		13542915		WORK CLAMP FOOT, RIGHT				*		1	
15		13543012		WORK CLAMP FOOT, LEFT				*		1	
16		13571955		WORK CLAMP FOOT ASM.						1	
17	R	13571906	13571955	CLOTH PRESSER FOOT (RIGHT)				*		1	1.00
18	R	13572003	13571955	CLOTH PRESSER FOOT (LEFT)				*		1	1.00
19		13561360		WORK CLAMP FOOT ASM.						1	
20		13561352		WORK CLAMP FOOT ASM.,RIGHT				*		1	
21		13561303		CLOTH PRESSER FOOT (RIGHT)				*		1	
22		13562509		PRESSER FOOT SLI- DING PLATE (R)				*		1	
23		SS1110640TP		SCREW 11/64-40 L= 5.5				*		1	
24		13561451		WORK CLAMP FOOT ASM.,LEFT				*		1	
25		13561402		CLOTH PRESSER FOOT (LEFT)				*		1	
26		13562608		PRESSER FOOT SLI- DING PLATE (L)				*		1	
27		SS1110640TP		SCREW 11/64-40 L= 5.5				*		1	
28		14116107		FEED PLATE A						1	
29		14116404		FEED PLATE D						1	
30		14116305		FEED PLATE C						1	
31		13548003		FEED PLATE						1	
32		13554506		FEED PLATE						1	
33		14116602		FEED PLATE F						1	
34		14116206		FEED PLATE B						1	
35		14116503		FEED PLATE E						1	
36		14116701		FEED PLATE G						1	
37	R	13533104	26224204	FINGER GUARDE						1	1.00
38		13548300		FINGER GUARD						1	
39		13573407		FINGER GUARD						1	
40		14120000		FINGER GUARD						1	
41		SM8040302TP		SETSCREW						1	
42		B2426280000		NEEDLE HOLE GUIDE						1	
43		B242628000B		NEEDLE HOLE GUIDE B						1	
44		14109607		NEEDLE HOLE GUIDE						1	
45		D2426282C00		NEEDLE HOLE GUIDE						1	

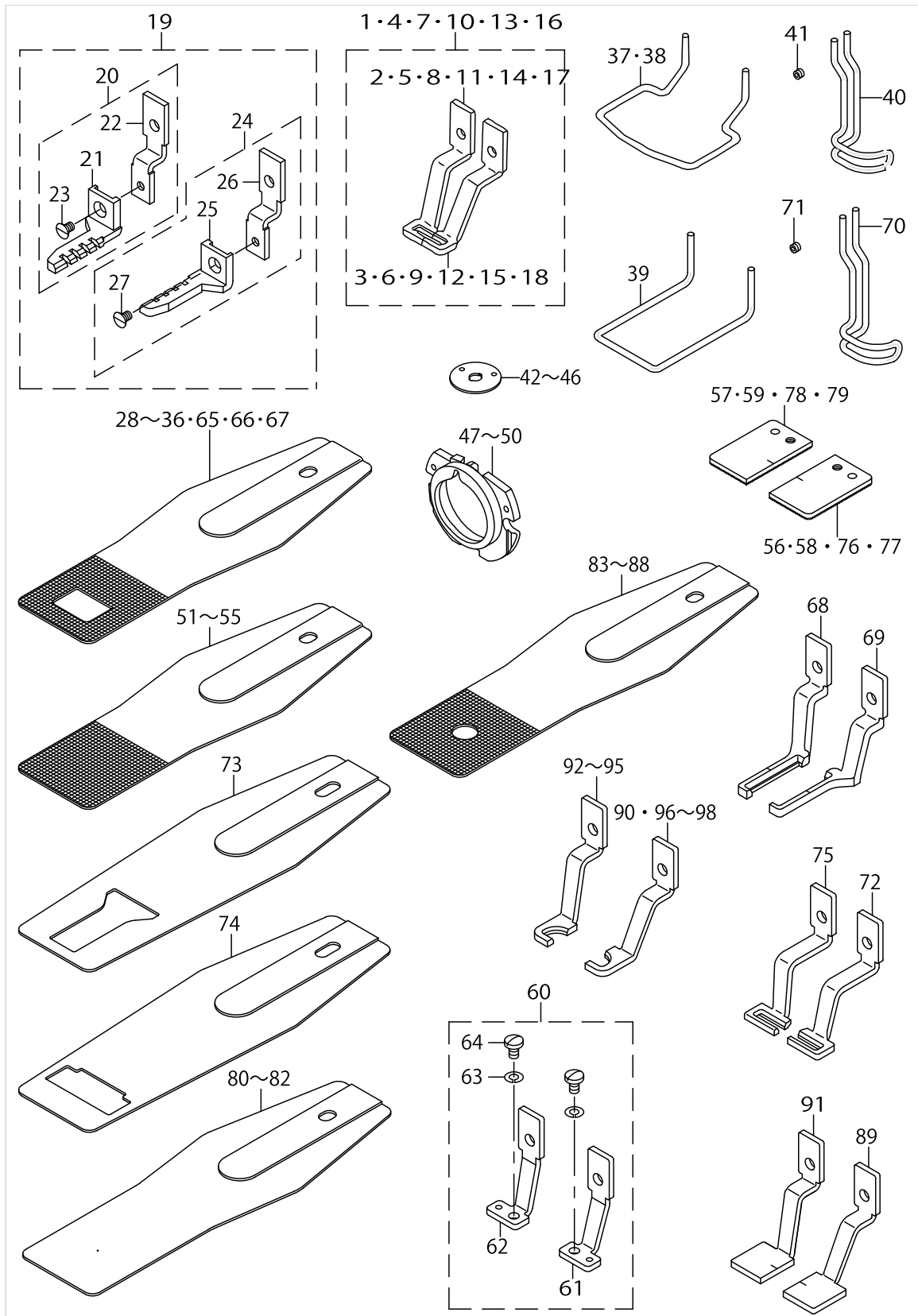
OPTION COMPONENTS (1)



OPTION COMPONENTS (1)

No.	Supply Code	Parts No.	Replacement	Parts name	Remarks	Choice	Step	Level	Cons	Qty	Rep. QTY
46		D2426MMCK00		NEEDLE HOLE GUIDE						1	
47		14103253		INNER HOOK PRESSER ASM., A						1	
48		14103352		INNER HOOK PRESSER ASM., B						1	
49		14103659		SHUTTLE RACE RING ASM.,C						1	
50		B1817210DAD		SHUTTLE RACE RING ASM.,D						1	
51		14120109		FEED PLATE BLANK A						1	
52		14120208		FEED PLATE BLANK B						1	
53		14120505		FEED PLATE BLANK C						1	
54		14120307		FEED PLATE BLANK D						1	
55		14120406		FEED PLATE BLANK E						1	
56		14121701		CLOTH PRESSER B-LANK,R(SURFACE)						1	
57		14121800		CLOTH PRESSER B-LANK,L(SURFACE)						1	
58		14121909		CLOTH PRESSER BLANK,RIGHT						1	
59		14122006		CLOTH PRESSER BLANK,LEFT						1	
60		14121263		WORK CLAMP FOOT ASM.						1	
61		14121255		WORK CLAMP FOOT ASM.,RIGHT					*	1	
62		14121354		WORK CLAMP FOOT ASM.,LEFT					*	1	
63		WS0451040KP		SPRING WASHER 4.5X8.5X1					*	2	
64		SS7110710SP		SCREW 11/64-40 L=7					*	2	
65		14116800		FEED PLATE H						1	
66		14116909		FEED PLATE I						1	
67		13554803		FEED PLATE						1	
68		14137608		WORK CLAMP FOOT A ,LEFT						1	
69		14137509		WORK CLAMP FOOT A ,RIGHT						1	
70		14135305		FINGER GUARDE						1	
71		SM8040302TP		SETSCREW						1	
72		14137806		CLOTH PRESSER FOOT B ,RIGHT						1	
73		14137707		CLOTH PRESSER LOWER PLATE A						1	
74		14138002		CLOTH PRESSER LOWER PLATE B						1	
75		14137905		CLOTH PRESSER FOOT B ,LEFT						1	
76		40021851		WORK CLAMP BLANK RIGHT(PLATING						1	
77		40021853		WORK CLAMP BLANK RIGHT(NO PLAT						1	
78		40021852		WORK CLAMP BLANK LEFT(PLATING)						1	
79		40021854		WORK CLAMP BLANK LEFT(NO PLATI						1	
80		40021855		FEED PLATE A(NO GIZA/PLATING)						1	
81		40021856		FEED PLATE B(NO GIZA/NO PLATIN						1	
82		40021857		FEED PLATE C(NO GIZA/SUS)						1	
83		40021858		FEED PLATE D(GIZA/PLATING)						1	
84		40021859		FEED PLATE E(GIZA/NO PLATING)						1	
85		40021873		FEED PLATE D9-14						1	
86		40021876		FEED PLATE 12						1	
87		40021879		FEED PLATE 10						1	
88		40021882		FEED PLATE 14						1	
89		40021870		WORK CLAMP FOOT BLANK LEFT						1	

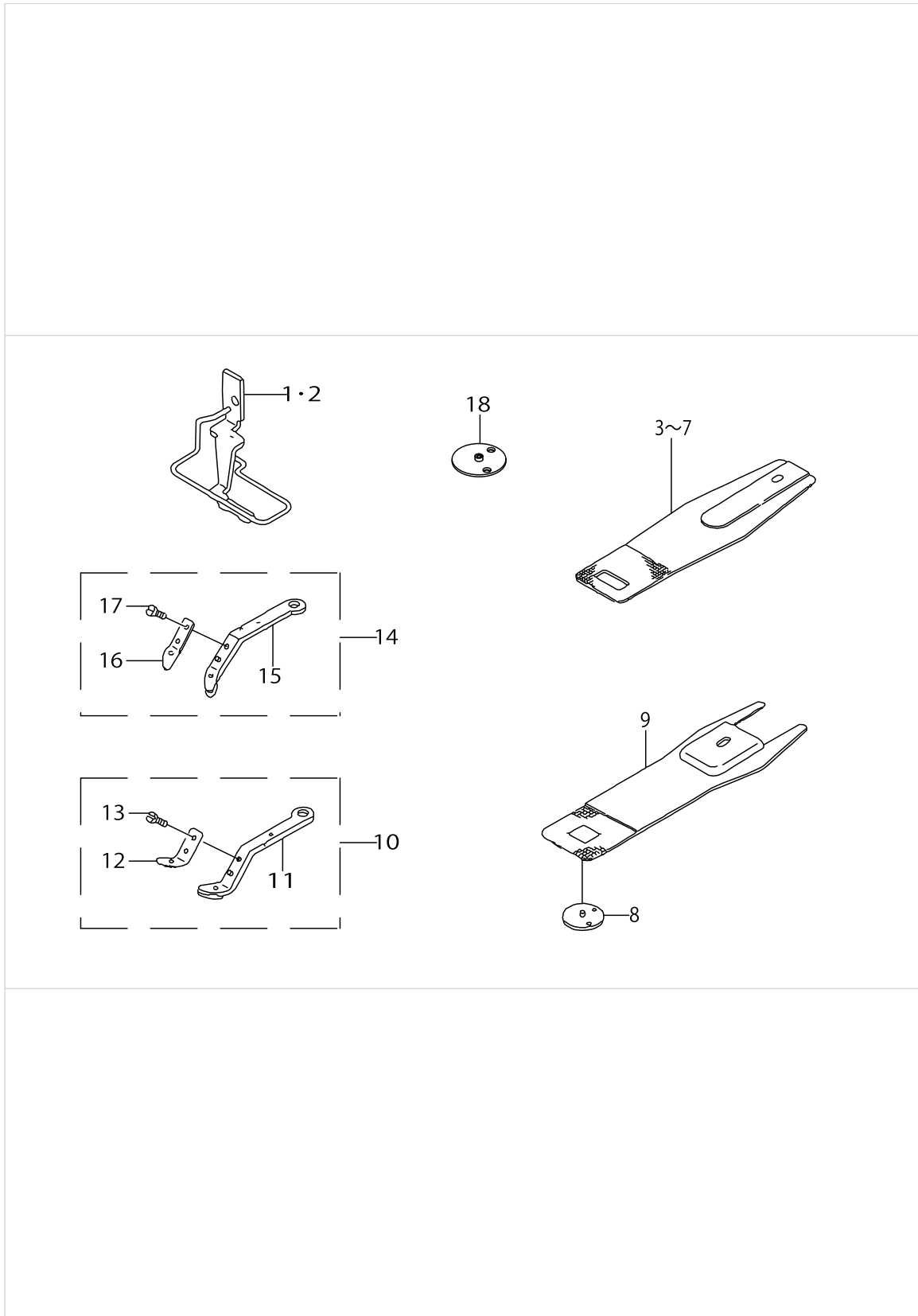
OPTION COMPONENTS (1)



OPTION COMPONENTS (1)

No.	Supply Code	Parts No.	Replacement	Parts name	Remarks	Choice	Step	Level	Cons	Qty	Rep. QTY
90		40021872		WORK CLAMP FOOT D9-14 LEFT						1	
91		40021869		WORK CLAMP FOOT BLANK RIGHT						1	
92		40021871		WORK CLAMP FOOT D9-14 RIGHT						1	
93		40021874		WORK CLAMP FOOT 12 RIGHT						1	
94		40021877		WORK CLAMP FOOT 10 RIGHT						1	
95		40021880		WORK CLAMP FOOT 14 RIGHT						1	
96		40021875		WORK CLAMP FOOT 12 LEFT						1	
97		40021878		WORK CLAMP FOOT 10 LEFT						1	
98		40021881		WORK CLAMP FOOT 14 LEFT						1	

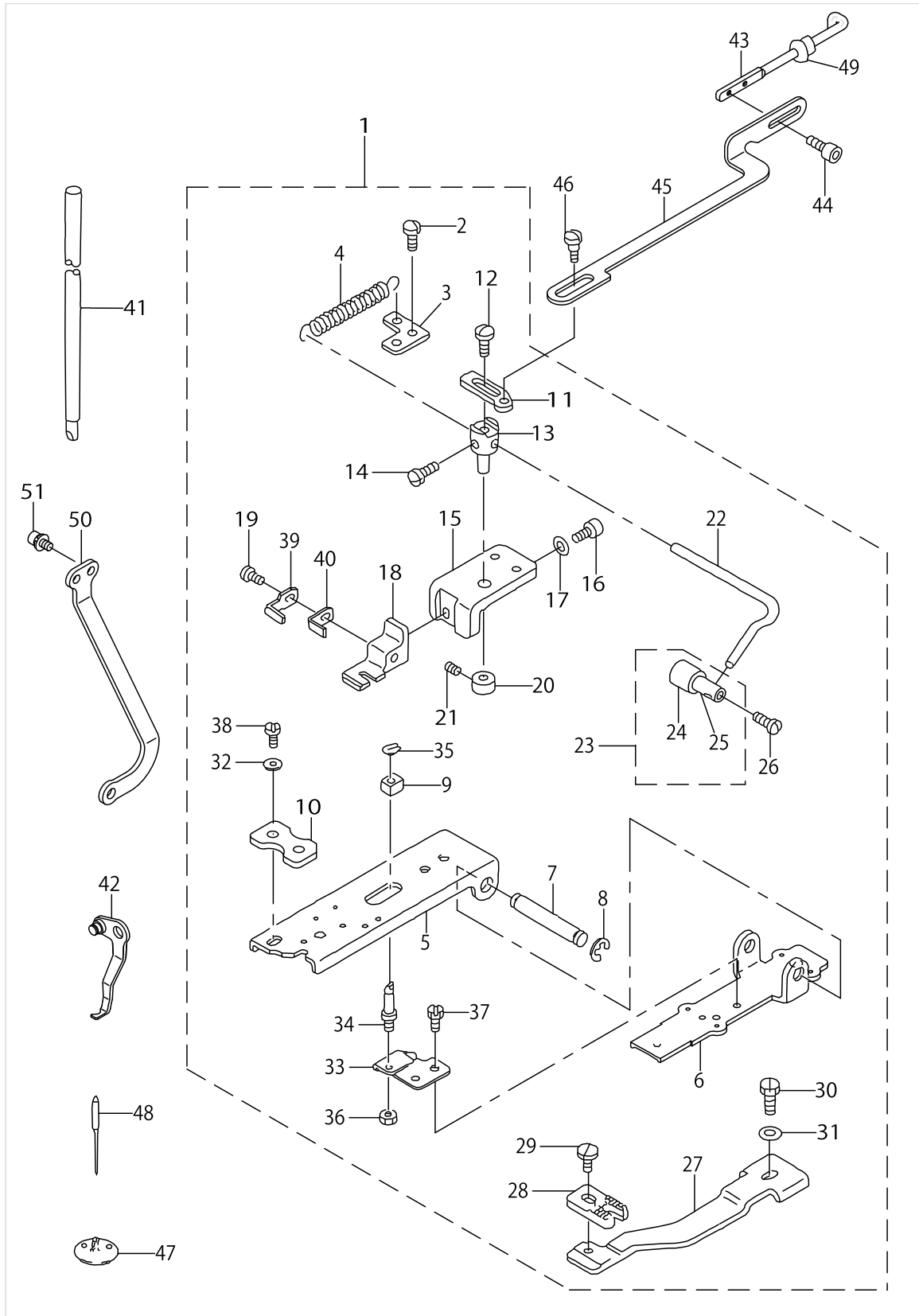
OPTION COMPONENTS (2) (FOR LK-1902A,LK-1903A)



OPTION COMPONENTS (2) (FOR LK-1902A,LK-1903A)

No.	Supply Code	Parts No.	Replacement	Parts name	Remarks	Choice	Step	Level	Cons	Qty	Rep. QTY
1		13545660		WORK CLAMP FOOT ASM.	FOR LK-1902A					1	
2		13547161		WORK CLAMP FOOT ASM.	FOR LK-1902A					1	
3		13545504		FEED PLATE	FOR LK-1902A					1	
4		13545801		FEED PLATE	FOR LK-1902A					1	
5		13547005		FEED PLATE	FOR LK-1902A					1	
6		13546700		CLOTH PRESSER PLATE	FOR LK-1902A					1	
7		13548706		CLOTH PRESSER LOWER PLATE	FOR LK-1902A					1	
8		MAZ15701000		GUIDE	FOR LK-1903A					1	
9		MAZ15702000		PRESSURE PLATE	FOR LK-1903A					1	
10		MAZ157070BB		LARGE CLAMP JAW LEVER ASM.,R	FOR LK-1903A					1	
11	R	MAZ157070AB	MAZ157070BB	LARGE CLAMP JAW LEVER ASM.,R				*		1	1.00
12		MAZ15709000		SPRING,RIGHT				*		1	
13		SS7090410SP		SCREW 9/64-40 L=3.5				*		1	
14		MAZ157080BB		LARGE CLAMP JAW LEVER ASM.,L	FOR LK-1903A					1	
15	R	MAZ157080AB	MAZ157080BB	LARGE CLAMP JAW LEVER ASM.,R				*		1	1.00
16		MAZ15710000		SPRING,LEFT				*		1	
17		SS7090410SP		SCREW 9/64-40 L=3.5				*		1	
18		14149603		GUIDE	FOR LK-1903A					1	

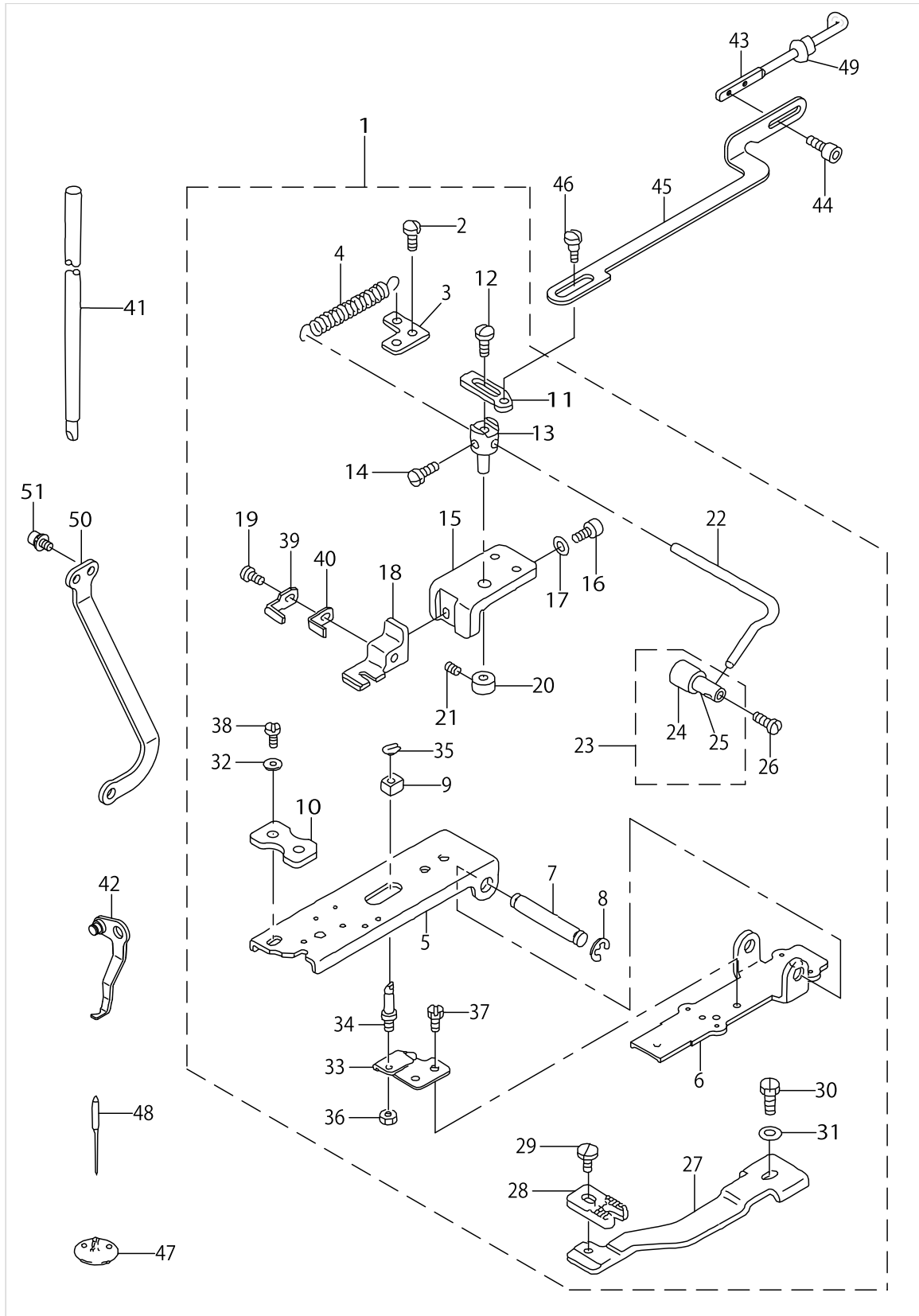
LK-1903A:OPTION COMPONENTS(FOR SHANK BUTTON)



LK-1903A:OPTION COMPONENTS(FOR SHANK BUTTON)

No.	Supply Code	Parts No.	Replacement	Parts name	Remarks	Choice	Step	Level	Cons	Qty	Rep. QTY
1		14146054		PICK-UP DEVICE COMPL.						1	
2		SS7110740TP		SCREW 11/64-40 L=7				*		2	
3		MAZ16012000		LEVER SPRING HOOK				*		1	
4		MAZ16013000		BUTTON SUPPORT LEVER SPRING				*		1	
5		14146203		PICK-UP FOOT INSTALLING BASE				*		1	
6		14146104		PICK-UP INSTALLING BASE				*		1	
7		14141402		INSTALLING SHAFT				*		1	
8		RE0700000K0		E-RING 7				*		2	
9		MAZ15515000		SLIDE BLOCK				*		1	
10		14146401		PRESSER PLATE				*		1	
11		MAZ16014000		BUTTON SUPPORT RELEASE LEVER				*		1	
12		SS7110740TP		SCREW 11/64-40 L=7				*		1	
13		MAZ16011000		BUTTON SUPPORT LEVER SHAFT				*		1	
14		SS7110740TP		SCREW 11/64-40 L=7				*		1	
15		MAZ16004000		BUTTON CLAMP BASE				*		1	
16		SS6111052TP		SCREW				*		1	
17		WP0482086SD		WASHER 4.8X11.5X2				*		1	
18		MAZ16005000		BUTTON CLAMP BASE				*		1	
19		SS7090510SP		SCREW 9/64-40 L=4.6				*		1	
20		CS0640811SP		THRUST COLLAR D=6.35 W=8				*		1	
21		SS8110410TP		SCREW 11/64-40 L= 3.5				*		1	
22		MAZ16010000		BUTTON SUPPORT LEVER				*		1	
23		MAZ160090A0		BUTTON SUPPORT RUBBER ASM.				*		1	
24		MAZ16009000		BUTTON SUPPORT RUBBER				*		1	
25		B2406372000		SHANK BUTTON HOLDING CLAMP				*		1	
26		SS7110740TP		SCREW 11/64-40 L=7				*		1	
27		MAZ16002000		FEED PLATE				*		1	
28		MAZ1600300A		FEED PLATE, A				*		1	
29		SS6110480SP		SCREW 11/64-40 L=4.3				*		1	
30		SS9111010SP		SCREW 11/64-40 L=9.5				*		1	
31		WP0482086SD		WASHER 4.8X11.5X2				*		1	
32		WP0501016SD		WASHER 5X10.5X1				*		2	
33		MAZ15514000		SUPPORT PLATE				*		1	
34		13540901		STATIONING BLOCK SHAFT				*		1	
35		D2548232D00		SNAP RING, FOR CO- NECTING ROD				*		1	
36		NS6150310SP		NUT 15/64-28				*		1	
37		SS9110460CP		SCREW 11/64-40 L=4				*		2	
38		SS9621413SP		SCREW 3/16-32 L=13.5				*		2	
39		MAZ16022000		BUTTON CLAMP S- UPPORT, FRONT				*		1	
40		MAZ16023000		BUTTON CLAMP SUPPORT, REAR				*		1	
41		D1401M1YC0A		NEEDLE BAR						1	
42		MAZ160170A0		WIPER ASM.						1	
43		13810908		MOVINGPLATELINKA						1	
44		SS6090612TP		SCREW 9/64-40 L=6						2	
45		MAZ16015000		BUTTON SUPPORT LINK						1	

LK-1903A:OPTION COMPONENTS(FOR SHANK BUTTON)



LK-1903A:OPTION COMPONENTS(FOR SHANK BUTTON)

No.	Supply Code	Parts No.	Replacement	Parts name	Remarks	Choice	Step	Level	Cons	Qty	Rep. QTY
46		SD0640321TP		HINGE SCREW D=6.35 H=3.2						1	
47		MAZ16021000		NEEDLE HOLE GUIDE						1	
48		MTQ300B1400		NEEDLE TQX3 #14						1	
49		14148209		BUSHING						1	
50		40010103		CONNECTING LINK						1	
51		SL6040892TN		BOLT						2	

LIST FOR INFORMATION OF CHANGE (1)

As to the place changed, refer to the corresponding Rev.No.
 When previous parts(Obsoleted part)and new parts(Added parts)are
 not interchangeable with each other:
 In this case, even obsoleted parts(D.)can be ordered with the
 obsoleted part number, so select the parts with changed dates and
 place your orders.

変更箇所は、該当Rev.No.版をご参照ください。
 部品の互換性がない変更の場合は、削除された品番でも、ご注文できます。

40006891
 No.1368-03 Rev.No.

*A:Added parts追加部品/D:Obsoleted parts削除部品/E:Erratum訂正

* Rev. No.	Page 頁	Ref. No.	Parts No. 品番	* Rev. No.	Page 頁	Ref. No.	Parts No. 品番
D 02	2	45	CM-3002001-B1	A 03	2	45	CM-3012000-01
				A 03	2	82	CM-1001000-01
D 02	4	55	400-10438	A 03	4	55	400-28015
D 02	4	80	SM-6030500-SN	A 03	4	80	SM-7030550-TP
				A 03	8	72	SM-8061050-TP
D 02	22	1	400-03451	A 03	22	1	400-55355
D 02	22	2	400-03452	A 03	22	2	400-55356
D 02	22	3	400-03453	A 03	22	3	400-55357
D 02	22	24	HM-0004800-10	A 03	22	24	KM-0000004-80
D 02	26	30	400-06861	A 03	26	30	400-29901
D 02	26	31	400-06862	A 03	26	31	400-29902
D 02	26	32	400-06863	A 03	26	32	400-29903
D 02	28	1	B9118-232-000	A 03	28	1	400-48536
D 02	28	4	135-51205	A 03	28	4	400-51987
D 02	28	6	B3121-372-000				
D 02	28	7	139-43204				
D 02	28	8	PS-0200062-KH				
D 02	28	9	SS-4110715-SP				
D 02	28	10	SM-4040855-SP	A 03	28	6	SM-4040655-SP
D 02	28	11	NS-6110310-SP				
				A 03	28	7	SM-4040855-SP
D 02	28	13	SD-0601021-SP				
D 02	28	14	B1506-352-000				
D 02	28	15	NS-6120310-SP				
D 02	28	16	WP-0740516-SP				
D 02	42	6	NS-6120310-SP				
D 02	42	7	WP-0740516-SP				
D 02	42	8	138-63709				
D 02	42	10	B3121-980-000	A 03	42	7	400-52810
D 02	42	11	138-63808				
D 02	42	12	PS-0200062-KH				
D 02	42	13	SS-4110715-SP	A 03	42	8	SM-4040655-SP
D 02	42	15	NS-6110310-SP				
D 02	42	17	SD-0601021-SP				
D 02	42	18	B1506-352-000				
D 02	42	20	178-48508	A 03	42	12	400-33635

NUMERICAL INDEX OF PARTS

PART NO	PAGE	REF NO.	PART NO	PAGE	REF NO.	PART NO	PAGE	REF NO.
10004109	4	47	13541107	54	25	13548607	74	3·6·9·12-- 15·18
10108009	6	15	13541404	54	7	13548706	80	3~7
10502300	4	46	13541503	54	38	13554506	74	28~36·65 ~67
11072402	2	27	13541602	54	45	13554803	28	75
11155108	36	31	13542402	74	2·5·8·11-- 14·17	13554803	76	28~36·65 ~67
11155207	36	32	13542451	74	1·4·7·10-- 13·16	13561303	74	21
11157559	62	2	13542501	74	3·6·9·12-- 15·18	13561352	74	20
11157658	62	3	13542915	28	61·63·65	13561360	74	19
11157757	62	4	13542915	74	2·5·8·11-- 14·17	13561402	74	25
11157955	62	5	13542964	74	1·4·7·10-- 13·16	13561451	74	24
11158052	62	6	13543012	28	62·64·66	13562509	74	22
11158300	36	8	13543012	74	3·6·9·12-- 15·18	13562608	74	26
11158300	62	7	13543715	60	50	13571906	48	37
11158409	36	9	13543715	60	50	13571906	74	2·5·8·11-- 14·17
11158409	62	8	13543764	60	46	13571955	74	1·4·7·10-- 13·16
11158508	62	15	13543806	60	54	13572003	48	38
11158516	36	12	13543905	60	59	13572003	74	3·6·9·12-- 15·18
11158607	36	10	13544051	60	63	13573407	48	41
11158607	62	9	13544465	60	47	13573407	74	39
11159001	36	15	13544614	60	49	13705108	2	39
11159001	62	20	13544705	60	61	13786306	58	7
12258000	50	37	13544705	60	61	13810908	82	43
13508056	62	1	13545504	80	3~7	13811906	70	58
13508700	2	16	13545660	80	1·2	13812003	70	57
13508809	2	17	13545801	80	3~7	13812102	16	54·70
13508908	2	18	13546700	80	3~7	13812102	48	33
13509708	10	36	13547005	80	3~7	13816608	2	29
13515606	10	13	13547161	80	1·2	13816855	2	15
13516208	26	12	135478003	74	28~36·65 ~67	13817754	36	14
13517404	26	21	13548102	28	61·63·65	13817754	62	17
13518501	28	54	13548102	74	2·5·8·11-- 14·17	13889407	72	6
13518600	28	61·63·65	13548151	74	1·4·7·10-- 13·16	14101208	48	17
13518600	74	2·5·8·11-- 14·17	13548201	28	62·64·66	14103253	14	45~47
13518659	74	1·4·7·10-- 13·16	13548201	74	3·6·9·12-- 15·18	14103253	76	47~50
13518709	28	62·64·66	13548300	28	58·59	14103352	16	45~47
13518709	74	3·6·9·12-- 15·18	13548300	74	37·38	14103352	50	8
13518808	28	55	13548508	74	2·5·8·11-- 14·17	14103352	58	19·20
13529607	14	34	13548557	74	1·4·7·10-- 13·16	14103352	64	25
13533104	28	58·59				14103352	76	47~50
13533104	74	37·38				14103659	16	45~47
13540604	52	48				14103659	58	19·20
13540901	68	13						
13540901	82	34						

NUMERICAL INDEX OF PARTS

PART NO	PAGE	REF NO.	PART NO	PAGE	REF NO.	PART NO	PAGE	REF NO.
14103659	76	47~50	14121263	76	60	14148209	84	49
14103907	14	27	14121354	76	62	14148407	50	38
14104004	14	25	14121701	76	56·58·76·77	14148407	68	3
14104400	10	32	14121800	76	57·59·78·79	14148803	72	24
14105407	28	53	14121909	76	56·58·76·77	14148852	72	21
14109607	22	22~24	14122006	76	57·59·78·79	14148902	72	29
14109607	58	26·27	14135305	76	70	14148951	72	27
14109607	74	42~46	14136402	26	37	14149009	68	19
14111504	26	31	14137509	76	69	14149058	68	15
14111702	26	29	14137608	76	68	14149108	68	25
14111801	26	35	14137707	76	73	14149157	68	21
14113450	2	24	14137806	76	72	14149603	80	18
14113468	2	23	14137905	76	75	17007402	36	11
14115554	32	20	14138002	76	74	17007402	62	10
14116107	28	73	14140206	54	35	17845009	38	30
14116107	74	28~36·65 ~67	14140255	54	6	17848458	72	11
14116206	28	74	14140354	54	18	22891006	6	28
14116206	74	28~36·65 ~67	14140552	54	26	22891006	64	10
14116305	74	28~36·65 ~67	14140750	54	33	22891204	6	34
14116404	28	76·77	14140909	54	22	22901409	4	81
14116404	74	28~36·65 ~67	14141055	54	13	22902506	2	11
14116503	48	39·40	14141105	54	15	22920508	2	35~38
14116503	74	28~36·65 ~67	14141204	54	31	22921506	18	30
14116602	74	28~36·65 ~67	14141402	54	19	22921605	18	40
14116701	74	28~36·65 ~67	14141402	68	36	22928808	18	29
14116800	28	76·77	14141402	82	7	22930309	34	14
14116800	76	28~36·65 ~67	14141501	54	36	22930358	34	1
14116909	48	39·40	14141758	50	32	22930408	34	10
14116909	76	28~36·65 ~67	14142103	52	46	22930507	34	9
14118053	36	3	14143002	58	13	22930705	34	7
14118152	36	4	14145106	68	1	22930804	34	5
14118251	36	5	14145650	68	4·5	22930903	34	4
14120000	74	40	14145858	68	4·5	22931000	34	3
14120109	76	51~55	14146054	82	1	22931109	34	2
14120208	76	51~55	14146104	68	6	22931208	34	15
14120307	76	51~55	14146104	82	6	22931307	34	11
14120406	76	51~55	14146203	68	7	22931406	34	8
14120505	76	51~55	14146203	82	5	22932800	48	2
14121255	76	61	14146302	68	8	22933006	48	22
			14146401	68	14	22933105	48	23
			14146401	82	10	22933204	48	24
			14146708	72	19	22958458	42	16
			14146757	72	15	23517501	10	5
			14146807	72	18	23604309	8	57
			14146906	70	56	23630007	14	33

NUMERICAL INDEX OF PARTS

PART NO	PAGE	REF NO.	PART NO	PAGE	REF NO.	PART NO	PAGE	REF NO.
23638109	32	8	40005390	44	17~21	40005731	32	2
23638208	32	10	40005391	38	32	40005731	44	23
23638406	32	11	40005391	44	10~12	40005732	32	3
26204008	28	51	40005392	44	10~12	40005732	44	24
26204107	28	52	40005393	38	34	40005733	32	5
26218602	18	31	40005393	44	8	40005733	44	26
26223305	26	14	40005394	38	35	40005734	32	12
26260000	4	56	40005394	44	9	40005734	44	27
26260109	4	62	40005401	38	23	40005735	62	35
26260208	4	63	40005401	44	16	40005736	62	36
26260307	4	69	40005641	38	13	40005737	62	37
26260406	4	71	40005648	38	12	40005738	62	38
26260505	4	73	40005648	44	4	40005739	62	31
26260604	4	75	40005660	32	17	40005740	62	32
26260703	4	77~79	40005664	32	16	40006475	2	1
26260802	4	59	40005664	44	28	40006478	2	3
26260901	4	64	40005677	42	2	40006481	2	10
26261008	4	65	40005677	44	38	40006484	48	3
26261107	4	66	40005691	42	6	40006485	72	5
26261206	4	72	40005692	42	4	40006487	2	7
26261305	4	70	40005693	42	5	40006488	2	8
26261503	4	77~79	40005694	42	7	40006495	32	6
26261602	4	60	40005695	42	1	40006496	32	7
26261701	4	61	40005695	44	37	40006497	32	9
26315606	22	44~47	40005697	42	27	40006515	8	65
26315705	22	44~47	40005700	44	1~3	40006516	8	67
26315804	24	44~47	40005701	44	1~3	40006517	8	46
26315903	24	44~47	40005702	44	1~3	40006525	50	39
26500009	26	19	40005705	38	14	40006525	58	3
26500306	8	61	40005706	38	27	40006525	64	14
26500405	10	26	40005709	62	30	40006529	6	21
26501403	26	3	40005710	62	34	40006530	6	22
26501502	26	9	40005711	62	33	40006531	6	25
26501858	14	24	40005712	58	12	40006532	6	32
40000029	38	17	40005725	32	18	40006532	64	11
40000029	44	7	40005726	38	36	40006534	6	27
40000046	44	13~15	40005726	44	6	40006534	64	7
40000056	38	19	40005727	38	37	40006535	6	29
40000056	44	13~15	40005727	44	5	40006535	64	8
40003458	40	54	40005728	44	35	40006537	6	33
40003484	38	38	40005728	50	2	40006561	6	16
40003484	44	36	40005729	32	1	40006563	14	11
40003485	38	39	40005729	44	25	40006573	14	18
40005385	42	11	40005730	32	4	40006574	14	19
40005388	44	10~12	40005730	44	22	40006575	14	37

NUMERICAL INDEX OF PARTS

PART NO	PAGE	REF NO.	PART NO	PAGE	REF NO.	PART NO	PAGE	REF NO.
40006576	14	38	40006747	28	68	40010439	8	53
40006577	14	28	40006761	30	1	40010440	8	54
40006578	14	15	40006762	30	2	40010441	8	73
40006580	16	66~68	40006765	30	3	40010442	8	74
40006580	50	9	40006768	30	4	40010443	10	16
40006580	58	21·22	40006772	30	12	40010451	10	37
40006580	64	26	40006776	30	24	40010455	10	39
40006581	16	66~68	40006777	30	18	40010457	10	40
40006581	58	21·22	40006780	30	13	40010458	10	41
40006617	18	5	40006781	30	14	40010458	50	6
40006622	18	26	40006782	30	16	40010464	14	6
40006625	18	4	40006836	16	65	40010467	14	7
40006628	18	1	40006840	16	64	40010469	14	8
40006628	44	29	40006864	30	28	40010470	16	71
40006661	10	8	40006864	44	33	40010471	14	35
40006665	10	20	40006886	36	1	40010473	16	55
40006666	10	14	40006887	62	41	40010474	16	56
40006671	10	24	40006912	44	34	40010475	16	57
40006672	10	31	40006912	50	31	40010477	18	6
40006674	10	34	40006913	50	35	40010478	18	39
40006677	58	16	40006914	52	54	40010479	18	8
40006678	10	46	40006923	64	1	40010482	18	11
40006711	22	1	40006924	64	2	40010486	18	15
40006712	22	6	40006925	64	3	40010487	18	17
40006716	10	9	40006926	64	12	40010490	18	20
40006716	22	9	40006935	54	1	40010492	18	12
40006717	22	11	40006935	68	2	40010495	18	13
40006721	22	26	40006937	64	21	40010497	18	21
40006721	50	14	40008693	10	27	40010498	18	23
40006721	58	29	40009860	64	24	40010500	18	25
40006721	64	29	40010103	84	50	40010503	18	27
40006722	22	18~20	40010404	2	5	40010504	18	28
40006722	50	10	40010405	2	13	40010508	18	32
40006722	58	23·24	40010414	2	31	40010509	18	44
40006723	22	18~20	40010415	6	2	40010510	18	33
40006723	58	23·24	40010416	6	3	40010511	18	34
40006724	22	18~20	40010418	6	8	40010512	18	35
40006725	64	27·28	40010419	6	9	40010513	18	36
40006726	64	27·28	40010421	6	12	40010514	18	37
40006736	26	11	40010423	8	45	40010515	18	38
40006737	26	24	40010429	66	54	40010521	18	41
40006738	26	17	40010434	6	39	40010522	18	42
40006739	26	25	40010435	6	40	40010523	18	43
40006740	26	22	40010436	6	41	40010525	22	12
40006745	28	67	40010437	8	52	40010526	22	16

NUMERICAL INDEX OF PARTS

PART NO	PAGE	REF NO.	PART NO	PAGE	REF NO.	PART NO	PAGE	REF NO.
40010527	30	20	40021871	78	92~95	B1229232000	50	43
40010528	30	21	40021872	78	90·96~98	B1229232000	58	9
40010530	30	26	40021873	76	85	B1411552000	8	70
40010531	30	30	40021874	78	92~95	B1414232000	26	15·46·47
40010532	30	34	40021875	78	90·96~98	B141423200A	28	15·46·47
40010533	8	44	40021876	76	86	B141423200B	28	15·46·47
40010534	8	43	40021877	78	92~95	B1414555000	8	72
40010536	26	7	40021878	78	90·96~98	B1657506E00	52	47
40010570	28	71	40021879	76	87	B1806210D00	16	54·70
40010571	2	35~38	40021880	78	92~95	B1815210000	14	43
40010572	6	1	40021881	78	90·96~98	B1816280000	60	65
40010573	8	69	40021882	76	88	B1817210DAD	76	47~50
40010574	8	75	40023831	10	11	B1820210D00	14	20
40010575	14	13	40026818	6	17	B1821210D00	14	21
40010589	30	10	40028015	8	83	B1822215P00	14	22
40010879	16	51·52	40028015	46	39	B1828210DAA	16	53·69
40011152	30	22	40029901	26	1	B18289800BB	16	53·69
40011511	16	51·52	40029901	44	30	B185351200E	64	19
40011512	16	48·49	40029902	26	5	B1903552000	6	31
40011902	8	51	40029902	44	31	B1903552000	64	13
40011928	4	77~79	40029903	10	1	B1908505000	6	26
40011949	50	3	40029903	44	32	B1908505000	64	4
40011949	64	17	40031136	6	11	B21012800A0	50	7
40012127	14	2	40033047	64	22	B21012800A0	58	17·18
40013640	48	13	40033635	72	12	B2406372000	82	25
40013721	14	4	40036110	48	12	B24142800A0	22	32
40013967	18	45	40039012	28	80	B24142800A0	50	20
40014963	16	48·49	40039013	26	41	B24142800A0	58	35
40014965	16	66~68	40039255	26	39	B24142800A0	64	37
40015800	30	5	40040256	10	6	B24152800A0	22	31
40016077	14	10	40040256	22	4	B24152800A0	50	19
40016194	48	32	40048536	48	1	B24152800A0	58	34
40016195	48	11	40051987	48	4	B24152800A0	64	36
40017202	10	42	40052810	72	7	B2416280000	22	30
40021851	76	56·58·76·77	40055355	38	1	B2416280000	50	18
40021852	76	57·59·78·79	40055356	38	2	B2416280000	58	33
40021853	76	56·58·76·77	40055357	38	3	B2416280000	64	35
40021854	76	57·59·78·79	A123050000A	8	63	B2417280000	22	21
40021855	76	80~82	B1111210D00	48	42	B2417280000	50	11
40021856	76	80~82	B1111232000	2	33	B2417280000	58	25
40021857	76	80~82	B1114581000	58	1	B2417280000	66	38
40021858	76	83	B1115210D00	48	43	B2418280000	22	29
40021859	76	84	B1129210000	2	41	B2418280000	50	17
40021869	78	91	B1144210000	8	60	B2418280000	58	32
40021870	76	89	B1212210D00	8	59	B2418280000	64	34

NUMERICAL INDEX OF PARTS

PART NO	PAGE	REF NO.	PART NO	PAGE	REF NO.	PART NO	PAGE	REF NO.
B24212800A0	22	41	B2619372000	64	18	D2529232D00	54	44
B24212800A0	50	29	B2707761000	2	21	D2545232D0A	54	10~12
B24212800A0	60	44	B302745000B	52	49	D2545232D0B	54	10~12
B24212800A0	64	33	B3117352000	54	41	D2545232D0C	54	10~12
B242328000A	22	36~40	B3120372000	48	5	D2548232D00	70	49
B242328000A	50	24~28	B3125012000	70	54	D2548232D00	82	35
B242328000A	58	39~43	B3126012000	2	25	D3130M1YC00	68	35
B242328000A	66	44~48	B3413552000	60	62	D7133555B00	2	26
B242328000B	22	36~40	B8101210AAB	36	6	D8113555B00	36	17
B242328000B	50	24~28	B8105210AAA	36	7	D8113555B00	62	22
B242328000B	58	39~43	B81085550A0	36	27	D8204555D00	36	33
B242328000B	66	44~48	B81085550A0	62	13	E9567319000	40	53
B242328000C	22	36~40	B8153771000	36	16	E9607603000	40	52
B242328000C	50	24~28	B8153771000	62	21	EA9500B0100	14	14
B242328000C	58	39~43	B8202205000	48	20	EA9500B0100	32	22
B242328000C	66	44~48	B9113012000	48	25	EA9500B0100	42	8
B242328000D	22	36~40	B9121012000	48	19	EA9500B0200	32	23
B242328000D	50	24~28	B91212200A0	48	18	GAF01007000	8	64
B242328000D	58	39~43	B9140372000	48	26~28	GCT02906000	48	26~28
B242328000D	66	44~48	B9141372000	48	26~28	GPF060600A0	36	19
B242328000E	22	36~40	BME03200000	42	10	GPF060600A0	62	18
B242328000E	50	24~28	CM100100001	4	82	GPF06080000	36	18
B242328000E	58	39~43	CM300100401	42	30	GPF06080000	62	19
B242328000E	66	44~48	CM300200002	2	43	GPK570010B0	42	32
B2424280000	22	27	CM300400601	42	31	GPK570010B0	46	42
B2424280000	50	15	CM301200001	2	45	HA004250000	42	26
B2424280000	58	30	CQ200000000	14	31	HA004250000	46	40
B2424280000	64	32	CS0640811SP	82	20	HD00057000A	10	18
B2426280000	22	22~24	CS0800881TP	28	48	HD00057000A	26	33
B2426280000	50	12	CS087101BSH	60	52	HD00057000A	30	32
B2426280000	58	26·27	D1401M1YC0A	82	41	HD002230000	22	14
B2426280000	74	42~46	D1405L7AM00	8	76	HD002230000	26	27
B242628000B	74	42~46	D1405L7AM00	58	4	HF00130315S	42	13~15
B2509704000	26	18	D2101L7AMA0	58	17·18	HF0013050P0	42	13~15
B2539280000	60	51	D2426282C00	22	22~24	HF003000200	42	13~15
B2548280000	26	43	D2426282C00	74	42~46	HK03461004A	50	33·34
B2548280000	60	57	D2426MMCK00	76	42~46	HK034640000	50	33·34
B2548372000	68	37	D2511232D00	54	17	HX00150000B	16	61
B2549280000	26	42	D2512232D00	54	16	HX00150000D	14	1
B2549280000	60	56	D2515232D00	54	23	HX00150000K	32	24
B2549372000	68	38	D2520232DA0	54	28	HX00188000D	40	49
B2552372000	68	9	D2521232DA0	54	29	HX003390000	32	26
B2553372000	68	39	D2527232D00	54	42	HX003390000	38	21
B255728000A	28	45	D2527232D00	70	55	HX004070000	38	29
B2560372000	68	40	D2528232D00	54	43	HX00410000A	38	33

NUMERICAL INDEX OF PARTS

PART NO	PAGE	REF NO.	PART NO	PAGE	REF NO.	PART NO	PAGE	REF NO.
HX005110000	40	51	MAZ158070AB	68	28	NM6050001SP	10	22
KM000000480	38	24	MAZ158070BB	68	27	NM6050001SP	22	8
M300451100A	42	12	MAZ158080AB	68	32	NM6060001CP	10	30
M3801476000	38	6	MAZ158080BB	68	31	NM6060001SC	48	35
M4001461000	38	40	MAZ15809000	68	29	NM6060003SC	10	43
M4002461000	38	41	MAZ15810000	68	33	NM6080001SC	38	10
M4004461000	38	42	MAZ16002000	82	27	NM6080002SC	42	24
M4005461000	38	43	MAZ1600300A	82	28	NM6080721SE	36	26
M4007351000	38	44	MAZ16004000	82	15	NM6080721SE	62	29
M4206461000	38	11	MAZ16005000	82	18	NM6120001SE	36	28
M90135900A0	42	33	MAZ16009000	82	24	NM6120003SE	62	14
M90135900A0	46	41	MAZ160090A0	82	23	NM6160511SE	34	18
M90175800A0	42	25	MAZ16010000	82	22	NS6110310SP	2	28
M90175800A0	44	17~21	MAZ16011000	82	13	NS6110530SP	54	14
M90245800A0	44	17~21	MAZ16012000	82	3	NS6120480SP	54	32
M90345800A0	44	17~21	MAZ16013000	82	4	NS6150310SP	70	46
M90355800A0	44	17~21	MAZ16014000	82	11	NS6150310SP	82	36
M964051000A	62	39	MAZ16015000	82	45	PD02010000B	52	51
MAO11532000	42	17	MAZ160170A0	82	42	PS0400142KH	8	62
MAZ15502000	70	50-51	MAZ16021000	84	47	RC0410415KP	52	53
MAZ15507000	68	16	MAZ16022000	82	39	RC0470611KP	10	44
MAZ15507000	72	22	MAZ16023000	82	40	RC0470611KP	66	51
MAZ15508000	68	22	MDP170B1400	64	15	RC0560711KP	4	57
MAZ15508000	72	28	MDP170B1402	72	1~4	RE0200000K0	30	8
MAZ15509000	68	17	MDP170B2100	8	79	RE0300000K0	14	23
MAZ15509000	72	23	MDP170B2100	58	5-6	RE0400000K0	4	58
MAZ15510000	68	23	MDP170B2102	48	29~31	RE0700000K0	54	20
MAZ15510000	72	31	MDP170B2102	72	1~4	RE0700000K0	70	47
MAZ15513000	68	10	MDP500B1100	8	77	RE0700000K0	82	8
MAZ15514000	68	11	MDP500B1102	48	29~31	RE0800000K0	6	19
MAZ15514000	82	33	MDP500B1400	8	78	RE0900000K0	18	3
MAZ15515000	68	12	MDP500B1400	50	1	SB104001600	6	24
MAZ15515000	82	9	MDP500B1400	58	5-6	SB104001600	64	6
MAZ15516000	70	60	MDP500B1402	48	29~31	SB108002200	6	23
MAZ15601000	64	30-31	MDP500B1402	72	1~4	SB108002200	64	5
MAZ15602000	70	50-51	MDP500B1602	72	1~4	SB108002300	6	30
MAZ15701000	80	8	MTQ300B1400	84	48	SB108002300	64	9
MAZ15702000	80	9	MTSHJ100003	42	19	SB110002400	10	3
MAZ157070AB	80	11	NM3040520SC	38	26	SB110002400	14	9
MAZ157070BB	80	10	NM6030003SC	18	24	SB120001700	6	7
MAZ157080AB	80	15	NM6040000SN	2	35~38	SB120001800	6	6
MAZ157080BB	80	14	NM6040001SP	10	7	SB30700020A	6	35
MAZ15709000	80	12	NM6040001SP	22	5	SB30700020B	6	36
MAZ15710000	80	16	NM6040003SC	18	18	SB30700020C	6	37
MAZ15801000	64	30-31	NM6050001SE	34	17	SB30700020D	6	38

NUMERICAL INDEX OF PARTS

PART NO	PAGE	REF NO.	PART NO	PAGE	REF NO.	PART NO	PAGE	REF NO.
SB30800100A	14	39~42	SL4040891SC	14	62	SM4051405SE	34	12
SB30800100B	14	39~42	SL4040891SC	16	62	SM4051655SP	10	2
SB30800100C	14	39~42	SL4040891SC	38	50	SM4061255SP	2	34
SB30800100D	14	39~42	SL4040891SC	40	50	SM4061255SP	50	40
SD0350156TP	30	25	SL4041091SC	38	31	SM4061255SP	58	2
SD0400266TP	30	9	SL4041281SC	26	28	SM5030501SC	28	72
SD0500091TP	22	42	SL4041291SC	22	15	SM5040655SN	4	67
SD0500091TP	50	30	SL4041681SF	40	48	SM5040855SN	2	80
SD0500091TP	60	45	SL4041691SC	42	29	SM5040855SN	4	80
SD0500091TP	66	40	SL4043591SC	38	25	SM5040855SN	16	59
SD0550181SP	68	42	SL6040892TN	52	50	SM5040855SN	56	46
SD0550271TP	54	30	SL6040892TN	84	51	SM5040855SN	70	59
SD0550301SP	68	43	SL6052592TN	8	56	SM6020350SP	30	15
SD0600206TP	10	35	SL6084092TN	48	9	SM6020450TP	30	19
SD0640216TP	10	45	SL9082091SE	36	13	SM6020460TP	14	44
SD0640216TP	52	44	SL9082091SE	62	16	SM6030500SN	50	41
SD0640216TP	58	10	SM1030601SP	6	13	SM6030500SN	58	8
SD0640216TP	66	52	SM1040650TP	22	43	SM6030500SN	66	50
SD0640321TP	84	46	SM1040650TP	26	26	SM6030502TP	30	27
SD0640391TP	68	41	SM1040650TP	52	45	SM6040602TP	14	3
SD0700406TP	10	23	SM1040650TP	58	11	SM6040602TP	18	14
SD0790606TP	10	29	SM1040650TP	66	53	SM6040650TP	2	35~38
SD0791271SP	64	20	SM2360110TP	30	6	SM6040650TP	14	63
SD0800327TP	10	21	SM3061052TP	28	78	SM6040650TP	16	63
SD0800327TP	22	7	SM3061052TP	58	14	SM6040650TP	26	32
SD0800406TP	30	23	SM4020600SP	30	17	SM6040650TP	30	11
SD1000406TP	10	33	SM4021201SC	32	13	SM6040802TN	18	9
SD1201506TP	50	5	SM4030455SP	14	29	SM6040802TP	10	17
SK3311601SE	36	34	SM4030601SN	2	44	SM6040802TP	22	13
SK3311601SE	48	21	SM4030601SN	30	35	SM6040802TP	26	40
SK3382001SE	42	28	SM4030801SF	38	45	SM6040802TP	30	31
SK3382001SE	62	40	SM4030855SN	2	30	SM6040860TP	2	42
SK3412001SE	72	14	SM4040655SP	48	6	SM6041050TP	18	16
SK3512001SE	42	18	SM4040655SP	72	8	SM6041150TP	2	20
SK3513201SE	36	2	SM4040855SP	10	47	SM6041150TP	26	8
SL4030681SC	52	52	SM4040855SP	12	47	SM6041150TP	72	9
SL4030881SC	50	36	SM4040855SP	22	17	SM6041200SP	30	29
SL4031081SC	42	9	SM4040855SP	26	36	SM6060550TP	6	20
SL4031081SF	38	15	SM4040855SP	32	25	SM6061200SP	8	49
SL4031091SC	30	33	SM4040855SP	48	7	SM6061202TP	54	4
SL4031291SC	10	19	SM4041055SP	2	12	SM6061202TP	72	13
SL4031291SC	26	34	SM4041655SP	26	2	SM6061250TP	8	84
SL4040681SC	18	46	SM4042055SP	28	81	SM6061610SC	34	6
SL4040881SC	38	28	SM4050855SP	2	6	SM6061802TP	10	28
SL4040881SF	32	19	SM4050855SP	32	15	SM6061802TP	28	69

NUMERICAL INDEX OF PARTS

PART NO	PAGE	REF NO.	PART NO	PAGE	REF NO.	PART NO	PAGE	REF NO.
SM6061802TP	50	42	SS2110930SP	60	48	SS9151120CP	54	8
SM6061802TP	64	16	SS5060310SP	64	23	SS9151120CP	70	61
SM6066002TN	48	34	SS6080340SP	72	20	SS9621413SP	70	44
SM6081252TP	8	47	SS6090612TP	82	44	SS9621413SP	82	38
SM6083002TN	38	7	SS6090670TP	8	71	SV4030601SR	40	47
SM6084002TN	42	20	SS6110430TP	22	33	TA0670604R0	6	14
SM7030550TP	8	80	SS6110430TP	50	21	TA0750704R0	4	48
SM8030412TP	18	7	SS6110430TP	58	36	TA0850604R0	4	49
SM8040302TP	74	71	SS6110430TP	66	42	TA1050504R0	4	50
SM8040302TP	76	71	SS6110480SP	26	38	TA1250406R0	4	51
SM8040310SS	8	68	SS6110480SP	82	29	TA1270502R0	4	52
SM8040802TP	4	76	SS6111052TP	82	16	TA1470704R0	4	53
SM8040802TP	38	46	SS6120940SP	60	60	TA1550902R0	4	54
SM8050402TP	10	15	SS6121212TP	16	50	TA2100904R0	4	55
SM8050502TP	4	74	SS7090410SP	22	28	WP0320500SC	30	7
SM8050512TP	28	49	SS7090410SP	50	16	WP0370316SD	72	16
SM8050592TP	22	2	SS7090410SP	58	31	WP0400516UZ	18	22
SM8060602TP	26	10	SS7090410SP	66	43	WP0430801SC	18	10
SM8060610TP	14	16	SS7090410SP	68	34	WP0450801SD	48	8
SM8060612TP	2	22	SS7090410SP	72	30	WP0450801SD	72	10
SM8060612TP	14	12	SS7090410SP	80	17	WP0450801SP	12	49
SM8060812TP	6	82	SS7090510SP	82	19	WP0450801SP	16	58
SM8060812TP	8	82	SS7090610SP	54	37	WP0450801SP	22	3
SM8060812TP	10	10	SS7110510SP	54	24	WP0450801SP	28	82
SM8060812TP	14	17	SS7110710SP	76	64	WP0450801SP	30	36
SM8060812TP	22	10	SS7110740TP	22	35	WP0450826SC	4	68
SM8060812TP	26	16	SS7110740TP	28	57	WP0450846SP	22	34
SM8061050TP	16	72	SS7110740TP	50	23	WP0450846SP	50	22
SM8061612TP	20	47	SS7110740TP	58	58	WP0450846SP	58	37
SM8480652TP	6	81	SS7110740TP	60	58	WP0450846SP	66	49
SM8480652TP	8	81	SS7110740TP	66	41	WP0480856SP	12	50
SM9061203SE	36	20	SS7110740TP	82	26	WP0482086SD	82	31
SM9061203SE	62	23	SS7151210SP	60	55	WP0501016SD	54	40
SM9061403CP	54	2	SS8080310TP	28	60	WP0501016SD	70	53
SM9082023SE	36	23	SS8110410TP	82	21	WP0501016SD	82	32
SM9082023SE	62	26	SS8150510TP	26	44	WP0612516SD	54	9
SS1060210TP	22	25	SS8150822TP	60	64	WP0612516SD	70	62
SS1060210TP	50	13	SS8660612TP	26	20	WP0621016SD	28	79
SS1060210TP	58	28	SS9090813TP	72	17	WP0621016SD	58	15
SS1060210TP	66	39	SS9110460CP	54	39	WP0651056SH	50	4
SS1110640TP	54	27	SS9110460CP	70	45	WP0651646SC	48	36
SS1110640TP	74	27	SS9110460CP	82	37	WP0671016SE	36	21
SS2060310SP	68	26	SS9110543CP	70	52	WP0671016SE	62	24
SS2060310SP	72	32	SS9110920CP	54	21	WP0820516SP	8	50
SS2110930SP	28	56	SS9111010SP	82	30	WP0841601SC	38	9

NUMERICAL INDEX OF PARTS

PART NO	PAGE	REF NO.
WP0841601SC	42	22
WP0852086SC	42	21
WP0871602SE	36	24
WP0871602SE	62	27
WP1302501SE	36	29
WP1302501SE	62	11
WP1702600S0	34	19
WS0451040KP	76	63
WS0510002KN	34	16
WS0610002KN	48	10
WS0621210KR	36	22
WS0621210KR	62	25
WS0820002KR	38	8
WS0820002KR	42	23
WS0861410KR	36	25
WS0861410KR	62	28
WS1253010KN	36	30
WS1253010KN	62	12