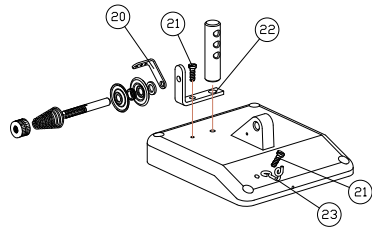
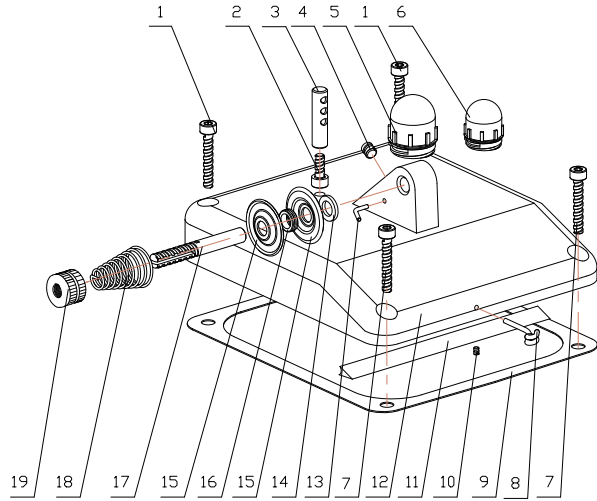
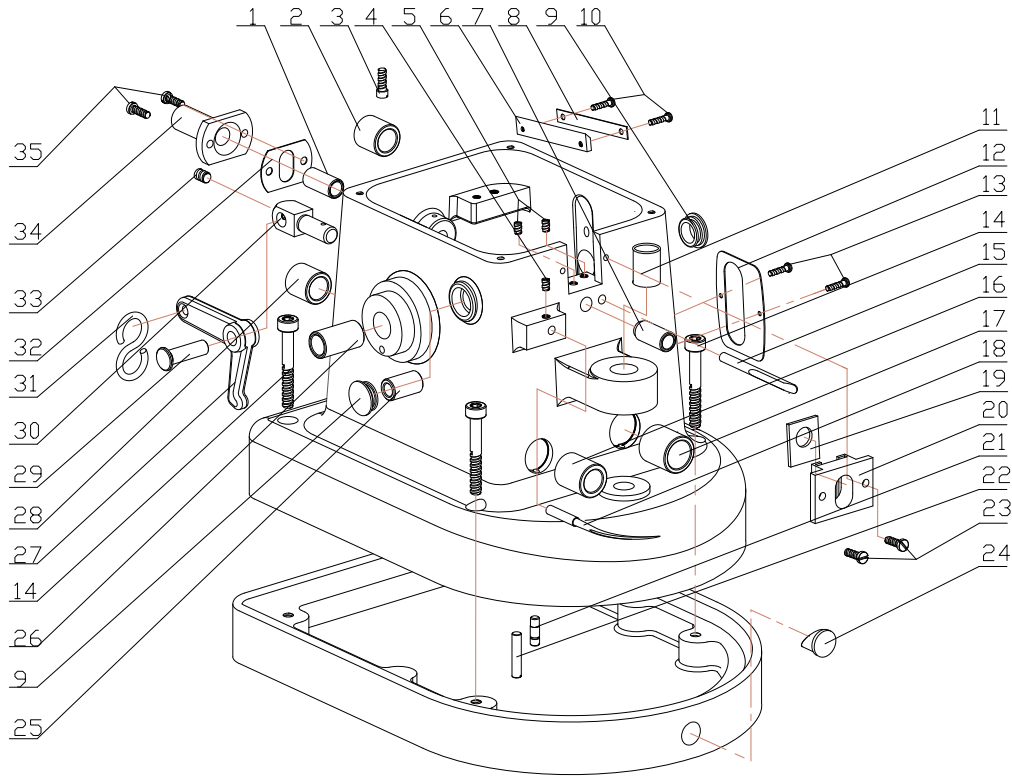


## 1顶盖部件



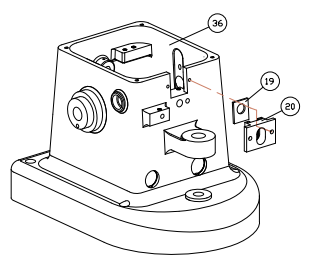
序号	零件号	零件名称	Description	4-4	4-5	4-5A	4-6	4-6A	2610	1-1	FF4-4	FF4-5	FF4-5A
1	JJ-4-11-1		Screw M4X25	2	2	2	2	2	2	2	2	2	2
2	11-2	过线钉螺钉	Screw M3X10	1	1	1	1	1	1	1	1	1	1
3	11-3	过线钉	Screw	1	1	1	1	1	1	1	1	1	1
4	11-4	螺钉	Screw M5X5	1	1	1	1	1	1	1	1	1	1
5	11-5	油罩	Oil Cover	1	1	1	1	1	1	1	0	0	0
6	FF-11-6	油罩	Oil Cover	0	0	0	0	0	0	0	1	1	1
7	11-1	顶盖螺钉	Screw	2	2	2	2	2	2	2	2	2	2
8	11-7	过线圈	Thread Guide Ring	2	2	2	2	2	2	2	2	2	2
9	11-8	顶盖垫圈	Cover Washer	1	1	1	1	1	1	1	1	1	1
10	11-9	过线圈紧定螺钉	Screw	1	1	1	1	1	1	1	1	1	1
11	11-10	挡油圈	Oil Preventing rat	1	1	1	1	1	1	1	1	1	1
12	11-11	顶盖	Top Cover	1	1	1	1	1	1	1	1	1	1
13	11-12	过线钩	Thread Guide Hock	1	1	1	1	1	1	1	1	1	1
14	11-13	夹线板垫圈	Tension Washer	1	1	1	1	2	1	1	1	1	1
15	11-14	夹线板	Tension Discs	1	1	1	1	2	1	1	1	1	1
16	11-15	夹线板过线圈	Tension Disc Thread Guide Ring	1	1	1	1	2	1	1	1	1	1
17	11-16	夹线螺钉	Cotton Tension Spring Nut	1	1	1	1	2	1	1	1	1	1
18	11-17	夹线簧	Cotton Tension Spring	1	1	1	1	2	1	1	1	1	1
19	11-18	夹线螺母	Thread Tension Nut	1	1	1	1	2	1	1	1	1	1
20	11-20	过线板	Thread Tension Guide	0	0	0	0	1	0	0	0	0	0
21	11-21	线架固定螺钉	Screw	0	0	0	0	1	0	0	0	0	0
22	11-22	过线架座	Thread Guide	0	0	0	0	1	0	0	0	0	0
23	11-23	双线过线圈	Thread Guide	0	0	0	0	1	0	0	0	0	0



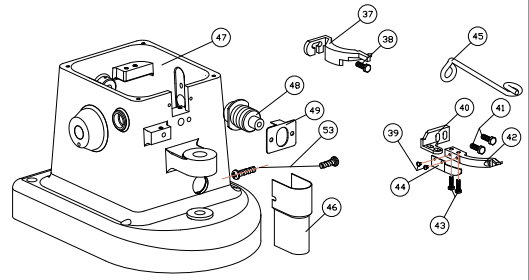
## 2. 机壳部件

序号	零件号	零件名称	Description	4-4	4-5	4-5A	4-6	4-6A	2610	1-1	FF4-4	FF4-5	FF4-5A
1	JJ-11-24	针杆后衬套	Needle Bar Bush(Rear)	1	1	1	1	1	1	1	1	1	1
2	11-25	压料杆后套	Presser bar bush	1	1	1	1	1	1	1	1	1	1
3	11-26	凹端固定螺钉	Screw11/64X40 L12	1	1	1	1	1	1	1	1	1	1
4	11-27	挡料杆固定螺钉	Screw11/64X40 L6	1	1	1	1	1	1	1	1	1	1
5	11-28	沉头螺钉	Screw11/64X40 L6	2	2	2	2	2	2	2	2	2	2
6	11-29	拦油板	Oil Retaining Plate	1	1	1	1	1	1	1	1	1	1
7	11-30	针杆前衬套	Needle Bar Bush(Gront)	1	1	1	1	1	1	1	1	1	1
8	11-31	拦油板垫片	Oil Retaining Plate Shim	1	1	1	1	1	1	1	1	1	1
9	11-32	钩针杆座轴闷头	Plug	2	2	2	2	2	2	2	2	2	2
10	11-33	半圆螺钉	ScrewM3X12	2	2	2	2	2	2	2	2	2	2
11	11-34	送料轴上衬套	Bush	1	1	1	1	1	1	1	1	1	1
12	11-35	针距指示牌	Stitch length plate	1	1	1	1	1	1	1	1	1	1
13	11-36	针距指示牌螺钉	Screw	2	2	2	2	2	2	2	2	2	2
14	11-37	螺钉	ScrewM6X45	4	4	4	4	4	4	4	4	4	4
15	11-38	松线钉	Thread Release Pin	1	1	1	1	1	1	1	1	1	1
16	11-39	压料活动轴前衬套	(front)	1	1	1	1	1	1	1	1	1	1
17	11-40	压料杆前衬套	Presser bar buch	1	1	1	1	1	1	1	1	1	1
18	4-11-41	挡料杆	Workguide	1	1	0	1	0	0	1	1	1	0
19	FF-11-42	挡油罩	Crosshead Shield Gasket	0	0	0	0	0	0	0	1	1	1
20	FF-11-43	挡油板	Crosshead Shield	0	0	0	0	0	0	0	1	1	1
21	11-44	弹簧座	Spring set	1	1	1	0	0	0	1	1	1	1
22	11-45	离合器销	Clutch Pin	1	1	1	0	0	0	1	1	1	1
23	11-46	挡油板螺钉	ScrewM4X12	2	2	2	2	2	2	2	2	2	2
24	11-47	油标	Oil Window	1	1	1	1	1	1	1	1	1	1
25	11-48	针杆座轴左衬套	Needle Bar Bush	1	1	1	1	1	1	1	1	1	1
26	11-49	主轴轴套	Main Shaft Bush	2	2	2	2	2	2	2	2	2	2
27	11-50	送料扳手	Cup Opening Lever	1	1	1	1	1	1	1	1	1	1
28	11-51	压料杆后衬套	Presser Bar Bush	1	1	1	1	1	1	1	1	1	1
29	11-52	送料扳手连接销	Cup Opening Leverlink Pin	1	1	1	1	1	1	1	1	1	1
30	11-53	送料扳手座	Cup Opening Lever Support	1	1	1	1	1	1	1	1	1	1
31	11-54	S型钩针	S Shapde Hook	1	1	1	1	1	1	1	1	1	1
32	11-55	针杆油封挡油圈	Needle Bar Oil Gasket	1	1	1	1	1	1	1	1	1	1
33	11-56	送料扳手螺钉	Screw15/64X28 L8	1	1	1	1	1	1	1	1	1	1
34	11-57	针杆油封	Needle Bar Oil Cap	1	1	1	1	1	1	1	1	1	1
35	11-58	针杆油封螺钉	ScrewM4X12	2	2	2	2	2	2	2	2	2	2
36	FF-11-59	机壳	Frame	0	0	0	0	0	0	0	1	1	1
37	11-60	挡料架	Workguide	0	0	1	0	0	0	0	0	0	1
38	11-61	挡料架螺钉	Screw	0	0	1	0	0	0	0	0	0	1
39	11-62	挡料架固定螺钉	Screw	0	0	0	2	2	0	0	0	0	0
40	11-63	挡料架座	Guide Connecdor	0	0	0	1	1	0	0	0	0	0
41	11-64	挡料架座紧固螺钉	Screw	0	0	0	2	2	0	0	0	0	0
42	11-65	挡料棒	Work Guide	0	0	0	1	1	0	0	0	0	0
43	11-66	挡料架紧固螺钉	Screw	0	0	0	2	2	0	0	0	0	0
44	11-67	挡料架护板	Guard Of Work Guide	1	1	1	1	1	0	0	0	0	0
45	11-68	双线过线圈	Thread Tension Guard	0	0	0	0	1	0	0	0	0	0
46	11-69	送料轴护罩	Feeding Shaft Cover	1	1	1	1	1	1	0	0	0	0
47	2610-11-70	机壳	Frame	0	0	0	1	1	1	0	0	0	0
48	2610-11-71	挡油罩	Crosshead Shield	0	0	0	0	0	1	0	0	0	0
49	2610-11-72	挡油板	Crosshead Shield Gasket	0	0	0	0	0	1	0	0	0	0
50	4-11-73	机壳	Frame	1	1	1	0	0	0	0	1	0	0
51	4-11-74	挡油罩	Crosshead Shield	1	1	1	1	1	0	1	0	0	0
52	4-11-75	挡油板	Crosshead Shield	1	1	1	1	1	0	1	0	0	0
53	11-76	护板螺钉	Screw	2	2	2	2	2	0	0	0	0	0
54	1-1-77	机壳	Frame	0	0	0	0	0	0	0	1	0	0

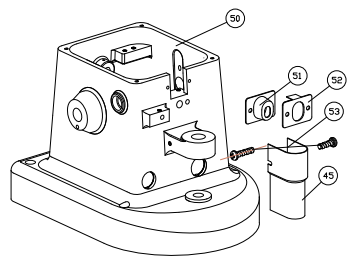
FF系列



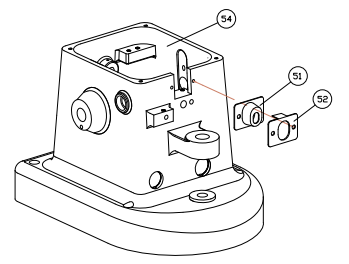
2610系列



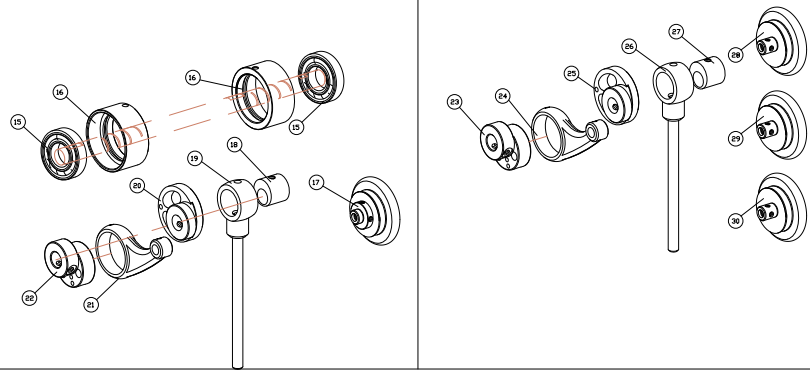
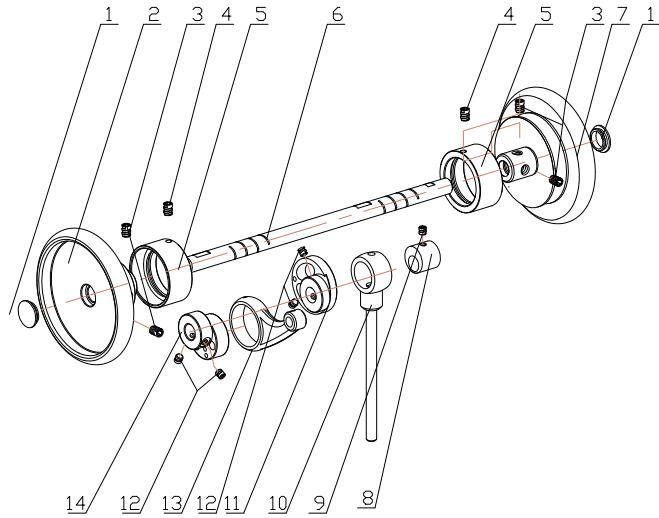
JJ系列



1-1系列



### 3. 主轴部件

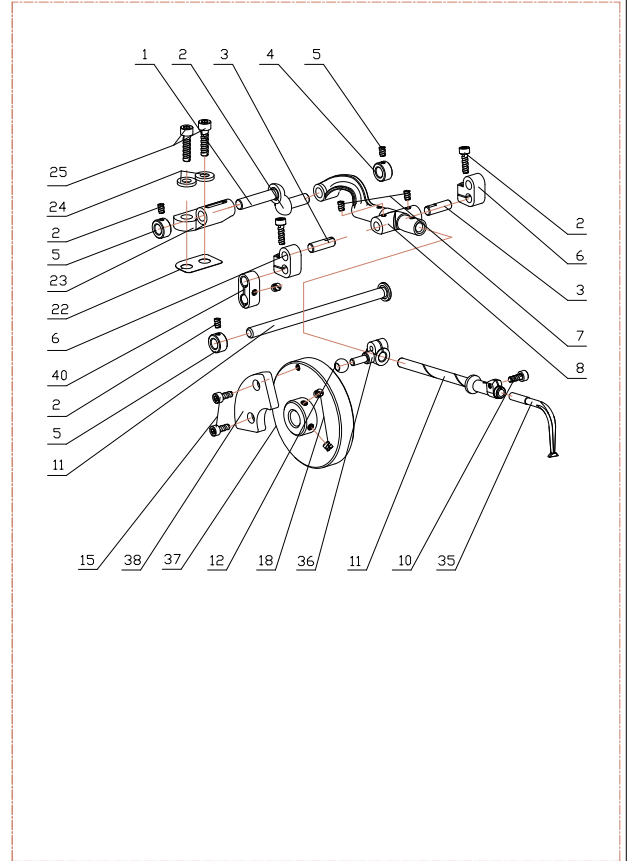
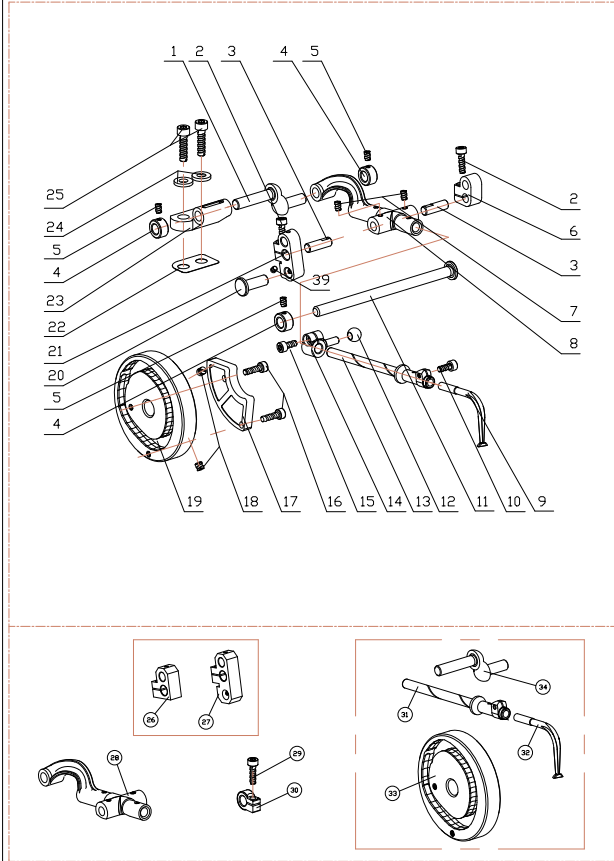


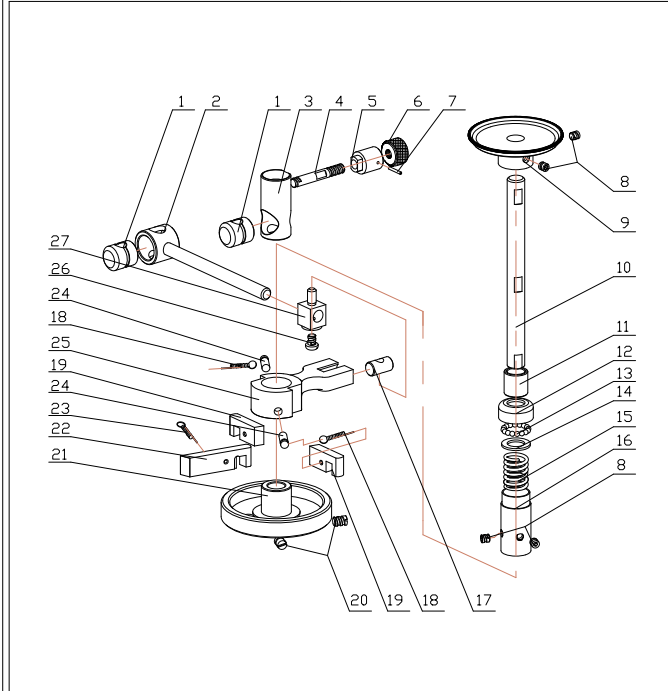
序号	零件号	零件名称	Description	4-44-5	4-5A	6	4-6A	2610	1-1FF4-	4FF4-5	FF4-5A
1	JJ-11-78	主轴闷头	Plug	2	2	2	2	2	2	2	2
2	11-79	手轮	Fly Wheel	1	1	1	1	1	1	1	1
3	11-80	手轮螺钉	ScrewM6X8	4	4	4	4	4	4	4	4
4	11-81	挡圈螺钉	ScrewM4X5	0	0	0	0	2	2	2	2
5	11-81	主轴挡圈	MainshaftRetaining	2	2	2	2	2	2	0	0
6	11-82	主轴	Mainshaft	1	1	1	1	1	1	1	1
7	11-83	带轮	Pulley Wheel	1	1	1	1	1	1	1	1
8	11-84	送料偏心轮	Needle Bar Eccentric Cam	1	0	0	0	0	1	1	0
9	11-85	送料偏心轮螺钉	ScrewM5X6	1	1	1	1	1	1	1	1
10	11-86	送料偏心杆	Feed Eccentric cam Assy	1	0	0	0	0	1	1	0
11	11-87	钩针偏心轮	Looper Eccentric cam	1	0	0	0	0	1	1	0
12	11-88	钩针偏心轮螺钉	ScrewM5X6	4	4	4	4	4	4	4	4
13	11-89	针杆偏心轮	Needle Bar Eccentric cam	1	0	0	0	0	1	1	0
14	11-90	钩针偏心轮连杆	Needle Bar Eccentric cam	1	0	0	0	0	1	1	0
15	FF-11-91	骨架油封	Skeleton Oil Seal	0	0	0	0	0	0	2	2
16	FF-11-92	主轴挡圈	MainshaftRetaining	0	0	0	0	0	0	2	2
17	FF-11-93	手轮	Fly Wheel	0	0	0	0	0	0	1	1
18	11-94	送料偏心轮	Needle Bar	0	1	0	0	0	0	0	1
19	11-95	送料偏心杆	Feed Eccentric	0	1	0	0	0	0	0	1
20	11-96	钩针偏心轮	Looper Eccentric cam	0	1	0	0	0	0	0	1
21	11-97	针杆偏心轮	Needle Bar	0	1	0	0	0	0	0	1
22	11-98	钩针偏心轮连杆	Looper Eccentric Link	0	1	0	0	0	0	0	1
23	11-100	针杆偏心轮	BigEccentric	0	0	1	1	1	0	0	0
24	11-99	钩针偏心轮连杆	Looper Eccentric Link	0	0	1	1	1	0	0	0
25	11-101	钩针偏心轮	Small Eccentric	0	0	1	1	1	0	0	0
26	11-102	钩针偏心轮连杆	Smallv Connectin	0	0	1	1	1	0	0	0
27	11-103	送料偏心轮	Needle Bar	0	0	1	1	1	0	0	0
28	11-104	手轮	Fly Wheel	1	0	0	0	0	1	1	0
29	11-105	手轮	Fly Wheel	0	1	0	0	0	0	0	0
30	11-106	手轮	Fly Wheel	0	0	1	1	1	0	0	0



### 5. 钩针部分

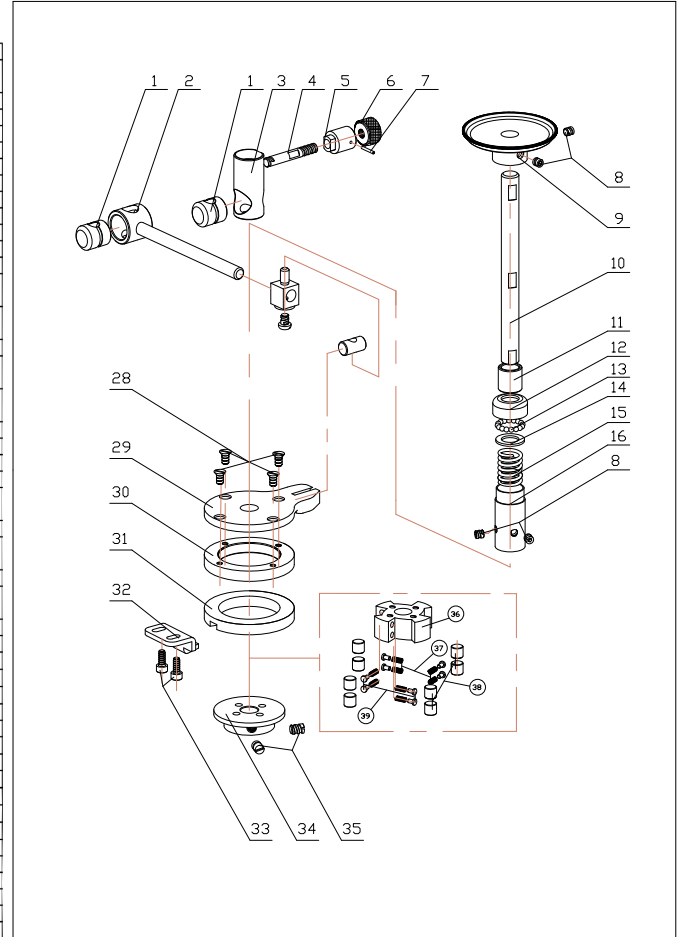
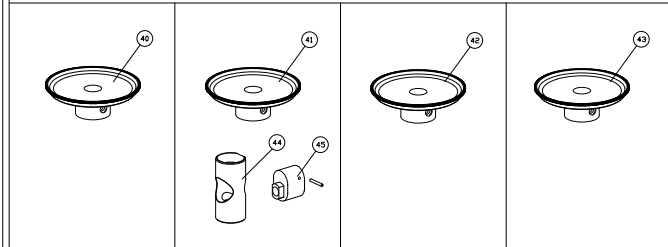
序号	零件号	零件名称	Description	4-4	4-5	4-5A	4-6	4-6A	2610	1-1	FF4-4	FF4-5	FF4-5A
1	11-131	钩针后曲柄	Crank	1	1	1	0	0	1	1	1	1	1
2	11-132	螺钉	ScrewM4X10	2	2	2	2	2	2	2	2	2	2
3	11-133	钩针杆座销轴	Cross Head Pin	1	1	1	1	1	1	1	1	1	1
4	11-134	挡圈	Crank collar	3	3	3	3	3	3	3	0	0	0
5	11-135	挡圈螺钉	ScrewM4X6	3	3	3	3	3	3	3	0	0	0
6	11-136	钩针杆座曲柄夹	Short Link	1	1	1	1	1	1	1	0	0	0
7	11-137	紧定螺钉	Screw1/8X40 L4	2	2	2	2	2	2	2	2	2	2
8	11-138	钩针杆座	Cross Head Assy	1	1	1	1	1	0	1	1	1	1
9	11-139	钩针	Looper	1	1	1	0	0	1	0	1	1	1
10	11-140	钩针杆紧定螺钉	ScrewM4X8	1	1	1	1	1	1	1	1	1	1
11	11-141	钩针杆座轴	Cross Shaft	1	1	1	1	1	1	1	1	1	1
12	11-142	尼龙滚珠	Cam Ball	1	1	1	1	1	1	1	1	1	1
13	11-143	钩针杆	Looper Carrier	1	1	1	0	0	1	1	1	1	1
14	11-144	钩针滚珠曲柄轴	Ball Arm Assy	1	1	1	1	1	1	0	1	1	1
15	11-145	钩针滚珠曲柄轴螺钉	ScrewM4X8	1	1	1	1	1	1	1	1	1	1
16	11-146	平衡块螺钉	ScrewM4X12	2	2	2	2	2	2	2	2	2	2
17	11-147	平衡块	Cam Balance	1	1	1	1	1	1	0	1	1	1
18	11-148	凸轮螺钉	ScrewM5X6	2	2	2	2	2	2	2	2	2	2
19	11-149	凸轮	Cam	1	1	1	1	1	1	1	1	1	1
20	11-150	钩针连杆销轴	Long Link Stud	1	1	1	1	1	1	1	1	1	1
21	11-151	钩针连杆曲柄夹	Long Link	1	1	1	1	1	1	1	0	0	0
22	11-152	垫片	Shims	1	1	1	1	1	1	1	1	1	1
23	11-153	钩针后曲柄座	Back Brg	1	1	1	1	1	1	1	1	1	1
24	11-154	垫圈	Back Brg Washer B6	2	2	2	2	2	2	2	2	2	2
25	11-155	螺钉	ScrewM5X20	2	2	2	2	2	2	2	2	2	2
26	FF-11-156	钩针杆座曲柄夹	Short Link	0	0	0	0	0	0	0	1	1	1
27	FF-11-157	钩针连杆曲柄夹	Long Link	0	0	0	0	0	0	0	1	1	1
28	2610-11-158	钩针杆座	Cross Head Assy	0	0	0	0	0	1	0	0	0	0
29	FF-11-159	挡圈螺钉	ScrewM5X10	0	0	0	0	0	0	0	3	3	3
30	FF-11-160	挡圈	Crank collar	0	0	0	0	0	0	0	3	3	3
31	11-161	钩针杆	Looper Carrier	0	0	0	1	1	0	0	0	0	0
32	11-162	钩针	Looper	0	0	0	1	1	0	0	0	0	0
33	11-163	凸轮	Cam	0	0	0	1	1	0	0	0	0	0
34	11-164	钩针后曲柄	Crank	0	0	0	1	1	0	0	0	0	0
35	1-1-11-165	钩针	Looper	0	0	0	0	0	0	1	0	0	0
36	1-1-11-166	钩针滚珠曲柄轴	Ball Arm Assy	0	0	0	0	0	0	1	0	0	0
37	1-1-11-167	凸轮	Cam	0	0	0	0	0	0	1	0	0	0
38	1-1-11-168	凸轮平衡块	Cam Balance	0	0	0	0	0	0	1	0	0	0
39	11-159	螺钉	ScrewM4X6	1	1	1	1	1	1	1	1	1	1
40	11-160	螺钉	ScrewM4X6	1	1	1	1	1	1	1	1	1	1

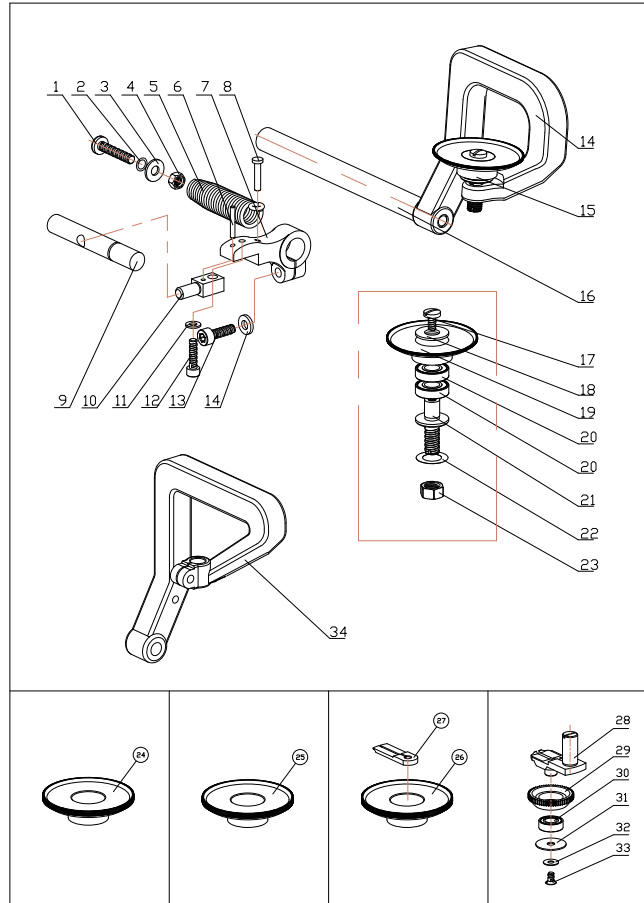




### 6. 送料部件

序号	零件号	零件名称	Description	4-1	4-5	4-5A	4-6	4-6A	2610	1-1	FF4-0FF4-5	FF4-5A
1	JJ-11-169	针距调节摆轴	Piston Swivel shaft	1	1	1	1	1	1	1	1	1
2	11-170	送料杆	Con Rod	1	1	1	1	1	1	1	1	1
3	11-171	针距调节滑座	Piston	1	1	0	0	1	1	1	1	1
4	11-172	针距调节螺杆	Piston Stud	1	1	1	1	1	1	1	1	1
5	11-173	针距指示座	Feed Indicator	1	1	0	0	1	1	1	1	1
6	11-174	针距指示座销	Stitch Indicator	1	1	1	1	1	1	1	1	1
7	11-175	锁紧螺母	Nut	1	1	1	1	1	1	1	1	1
8	11-176	送料盘螺钉	ScrewM5X6	4	4	4	4	4	4	4	4	4
9	11-177	送料盘	Back Cup	1	0	0	0	0	1	1	0	0
10	11-178	送料轴	Back Cup Shaft	1	1	1	1	1	1	1	1	1
11	11-179	送料轴上轴衬	Feeding Bar BushAbobe	1	1	1	1	1	1	1	1	1
12	11-180	张力垫圈		1	1	1	1	1	1	1	1	1
13	11-181	弹性杯	Tension Cup Ball 1/8	18	18	18	18	18	18	18	18	18
14	11-182	弹性垫圈	Tension cup Washer	1	1	1	1	1	1	1	1	1
15	11-183	张力簧	Tension Spring	1	1	1	1	1	1	1	1	1
16	11-184	弹性簧座	Tension Spring Pillar	1	1	1	1	1	1	1	1	1
17	11-185	离合器连接轴滚柱	Feed Block Roller	1	1	1	1	1	1	1	1	1
18	11-186	离合器弹簧	Spring	2	2	2	2	0	0	2	2	2
19	11-187	离合器传动块	Feed Grip Assy	2	2	2	2	0	0	2	2	2
20	11-188	从动轮固定螺钉	Screw15/64X28 L8	2	2	2	2	2	2	2	2	2
21	11-189	离合器传动轮	Clutch Wheel	1	1	1	0	0	1	1	1	1
22	11-190	离合器止动块	Retaining Grip Stud	1	1	1	1	1	1	1	1	1
23	11-191	离合器弹簧	Spring	1	1	1	0	0	1	1	1	1
24	11-192	离合器弹簧销钉	Clutch Link Blank Roller	2	2	2	2	0	0	2	2	2
25	11-193	离合器主动体	Clutch	1	1	1	0	0	1	1	1	1
26	11-194	离合器连接轴螺钉	Screw	1	1	1	1	1	1	1	1	1
27	11-196	离合器连接轴	Clutch Link Blouk	1	1	1	1	1	1	1	1	1
28	FF-11-197	固定板螺钉	Screw	0	0	0	0	4	4	0	0	0
29	FF-11-198	传动固定板	Plate	0	0	0	0	1	0	0	0	0
30	FF-11-199	进退轮外环	Ring	0	0	0	0	1	0	0	0	0
31	FF-11-200	进退轮固定外环	Ring	0	0	0	0	1	0	0	0	0
32	FF-11-201	止动架		0	0	0	0	1	1	0	0	0
33	FF-11-202	止动架螺钉	Screw	0	0	0	0	2	2	0	0	0
34	FF-11-203	传动轴套	Drum	0	0	0	0	1	1	0	0	0
35	FF-11-204	传动轴套螺钉	Screw	0	0	0	0	2	2	0	0	0
36	FF-11-205	进退轮	Cam	0	0	0	0	1	1	0	0	0
37	FF-11-206	弹簧	Roller Spring	0	0	0	0	8	8	0	0	0
38	FF-11-207	圆柱	Roller	0	0	0	0	8	8	0	0	0
39	FF-11-208	弹簧柱	Roller Pin	0	0	0	0	8	8	0	0	0
40	11-209	送料盘	Back Cup	0	1	0	0	0	0	0	0	1
41	11-210	送料盘	Back Cup	0	0	1	0	0	0	0	0	1
42	11-211	送料盘	Back Cup	0	0	0	1	0	0	0	0	0
43	11-212	送料盘	Back Cup	0	0	0	0	1	0	0	0	0
44	11-213	针距调节滑座	Piston	0	0	0	1	1	0	0	0	0
45	11-214	针距指示组件	Feed Indicator	0	0	0	1	1	0	0	0	0





### 7. 压料部件

序号	零件号	零件名称	Description	4-4	4-5	4-5A	4-6	4-6A	2610	1-1	FF4-4	FF4-5	FF4-5A
1	JJ-11-215	拉簧调节螺钉	ScrewM6X50	1	1	1	1	1	1	1	1	1	1
2	11-215	O型密封圈	Stitch	1	1	1	1	1	1	1	1	1	1
3	11-216	垫圈	Washer 6	1	1	1	1	1	1	1	1	1	1
4	11-217	拉簧螺母M6	Arm Spring Adjusting Nut	1	1	1	1	1	1	1	1	1	1
5	11-218	拉簧	Arm	1	1	1	1	1	1	1	1	1	1
6	11-219	拉簧连接销	Stitch	1	1	1	1	1	1	1	1	1	1
7	11-220	拉簧连接架	Arm Spring Adjusting Nut	1	1	1	0	0	1	1	1	1	1
8	11-221	拉簧销	Stitch	1	1	1	1	1	1	1	1	1	1
9	11-222	压料活动轴	Spresser	1	1	1	1	1	1	1	1	1	1
10	11-223	压料活动轴连接块	link block	1	1	1	0	0	1	1	1	1	1
11	11-224	垫圈	Crank collar	1	1	1	1	0	0	1	1	1	1
12	11-225	螺钉	ScrewM5X16	1	1	1	1	0	0	1	1	1	1
13	11-226	拉簧连接架螺钉	ScrewM6X20	1	1	1	1	1	1	1	1	1	1
14	11-227	垫圈	Washer 6	1	1	1	1	1	1	1	1	1	1
15	11-228	压料支架	Arms Assy	1	1	1	1	0	1	1	1	1	1
16	11-229	压料盘组件	Big Front SiscSet	1	1	1	1	1	1	1	1	1	1
17	11-230	压料架轴	Spresser	1	1	1	1	0	1	1	1	1	1
18	11-231	轴承压板螺钉	ScrewM5X9	1	1	1	1	0	1	1	1	1	1
19	11-232	轴承压板	Dust Seal Washer	1	1	1	1	0	1	1	1	1	1
20	11-233	压料盘	Needle Plate Cup	1	0	0	0	0	1	1	0	0	0
21	11-234	轴承	Bearing	2	2	2	2	0	2	2	2	2	2
22	11-235	压料盘连接轴	Front Cup Spindle	1	1	1	1	0	1	1	1	1	1
23	11-236	纸垫	Dust Seal Washer	1	1	1	1	0	1	1	1	1	1
24	11-237	压料盘连接螺母	Front Cup Spindle M10	1	1	1	1	0	1	1	1	1	1
25	11-239	压料盘	Needle Plate Cup	0	0	0	0	0	0	0	1	0	0
26	11-240	压料盘	Needle Plate Cup	0	1	0	0	0	0	0	0	1	0
27	11-241	压料盘	Needle Plate Cup	0	0	1	1	0	0	0	0	0	1
28	11-242	护针板	Needle Plate	0	0	1	1	0	0	0	0	0	1
29	11-243	压料盘轴	Needle Guard Plate	0	0	0	0	1	0	0	0	0	0
30	11-244	小压料盘	Small Pressing Cup	0	0	0	0	1	0	0	0	0	0
31	11-245	轴承	Bearing	0	0	0	0	1	0	0	0	0	0
32	11-246	大垫圈	Washer	0	0	0	0	1	0	0	0	0	0
33	11-247	小垫圈	Washer	0	0	0	0	1	0	0	0	0	0
34	11-248	压料盘螺钉	Screw	0	0	0	0	1	0	0	0	0	0
35	11-249	压料支架	Arms Assy	0	0	0	0	1	0	0	0	0	0
36	1-1-11-250	滑块	Side Block	0	0	0	0	1	1	0	0	0	0
37	1-1-11-251	拉簧座	Pressure Lever	0	0	0	0	1	1	0	0	0	0

